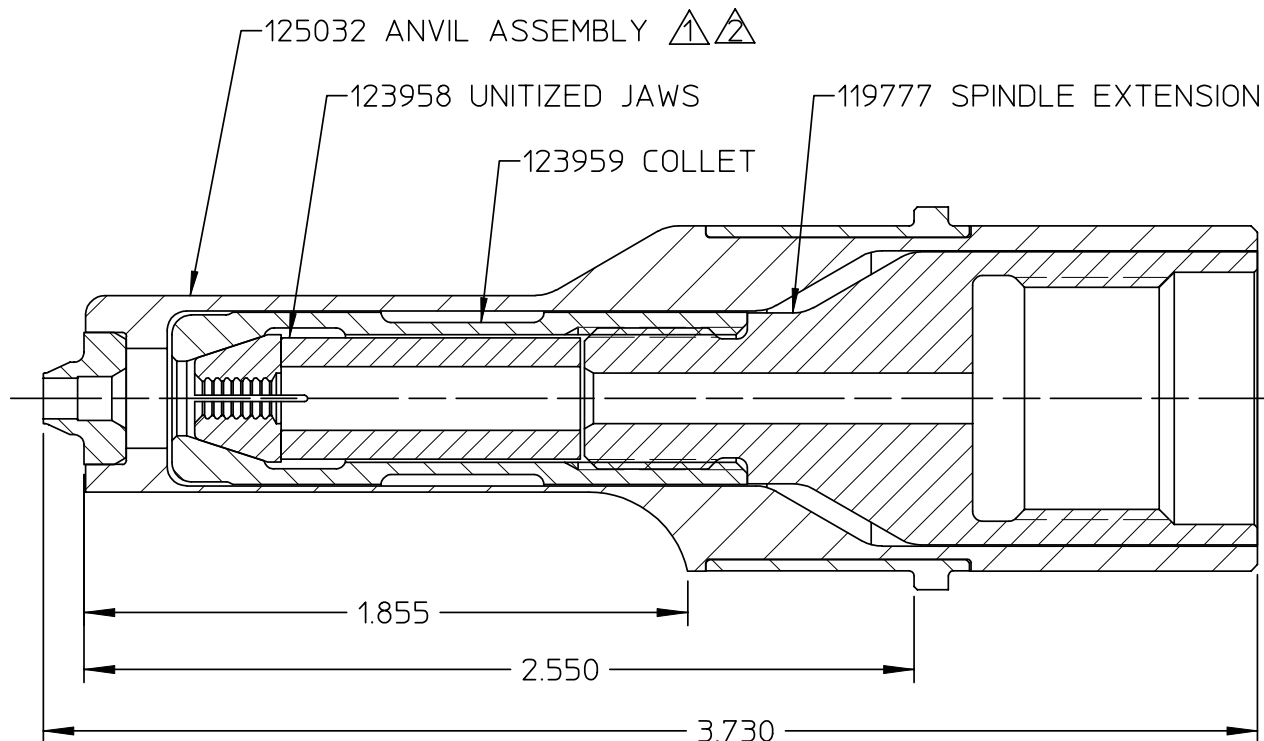
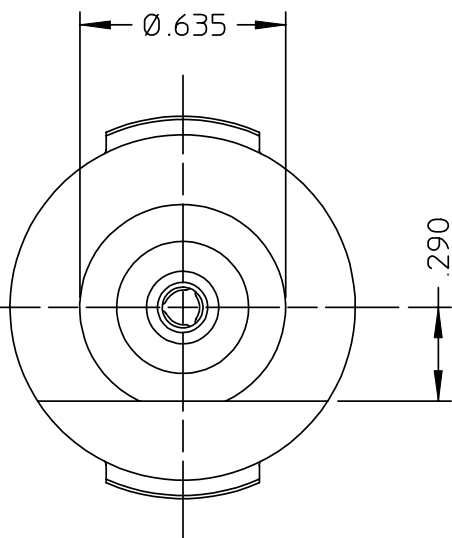


DATA SHEET



Alcoa Fastening Systems

Commercial Products
1 Corporate Drive, Kingston, NY 12401

TYPE:	NON-SELF-RELEASING
FASTENER:	-05 BB
TOOL(S):	245, 353
Notes:	Product Revision: A
US Patent:	Date: 07/07/03

99-2704

Part Number

NOTES:

- ⚠ ANVIL ASSEMBLY 125032 CONSISTS OF:
ANVIL HOLDER ASSEMBLY 125031 AND
ANVIL INSERT 119375
- ⚠ ANVIL HOLDER ASSEMBLY 125031 CONSISTS OF:
ANVIL HOLDER 125030, (NOT AVAILABLE SEPARATELY),
RETAINER 120737.