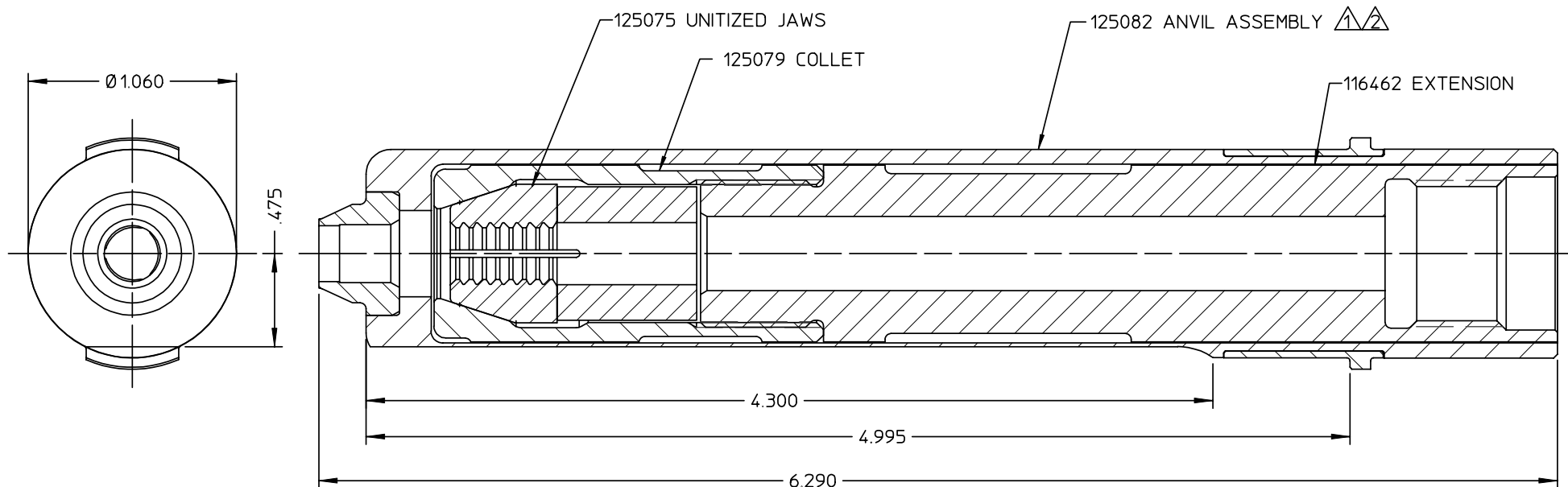


DATA SHEET



Alcoa Fastening Systems

Commercial Products
1 Corporate Drive, Kingston, NY 12401

99-2723	Part Number	TYPE:	NON-SELF-RELEASING
		FASTENER:	-12 BB
		TOOL(S):	245, 353
		Notes:	Product Revision: A
		US Patent:	Date: 07/08/03

NOTES:

△ ANVIL ASSEMBLY 125082 CONSISTS OF:
ANVIL HOLDER ASSEMBLY 125081 AND
ANVIL INSERT 119842.

△ ANVIL HOLDER ASSEMBLY 125081 CONSISTS OF:
ANVIL HOLDER 125080 AND
RETAINER 120737.