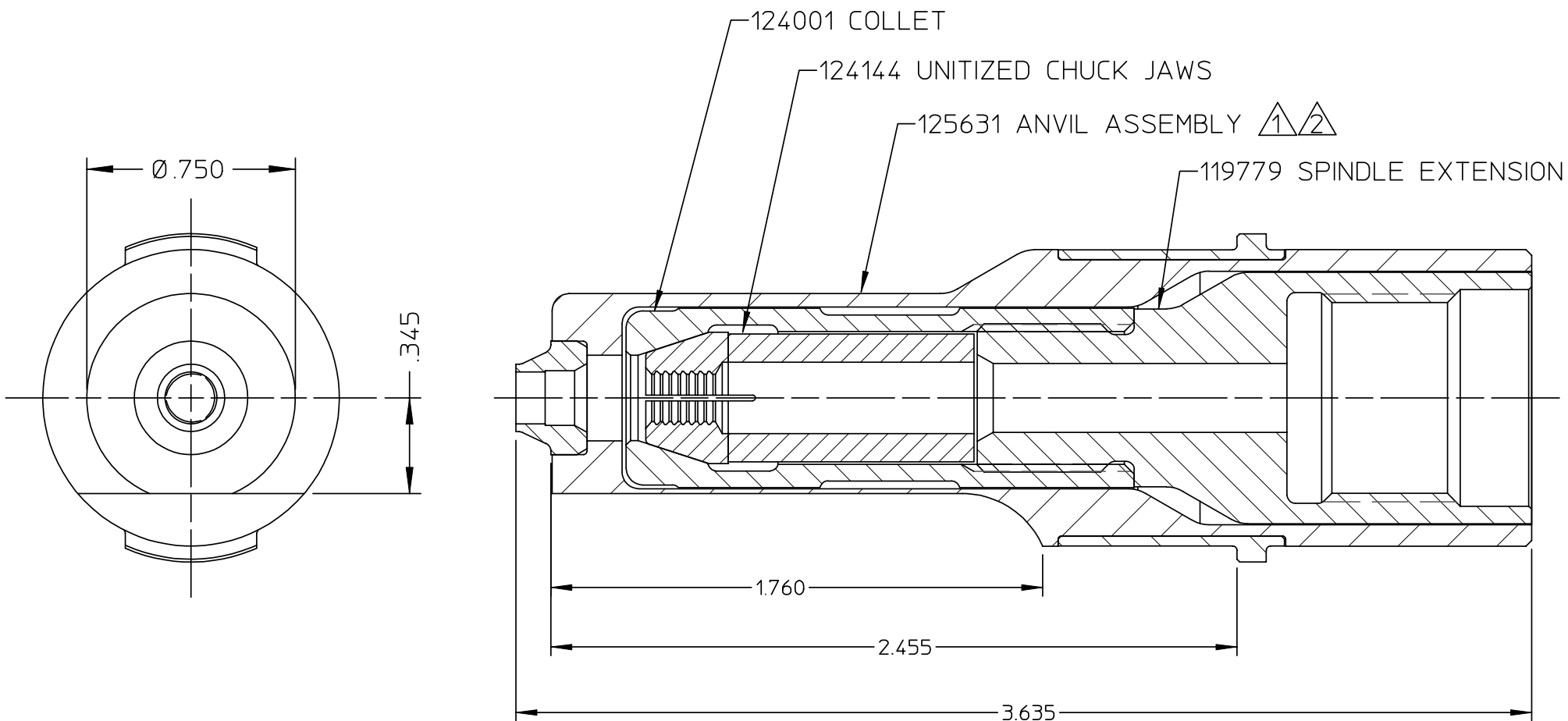


DATA SHEET



NOTES:

① ANVIL ASSEMBLY 125631 CONSISTS OF:
ANVIL HOLDER ASSEMBLY 125051 AND
ANVIL INSERT 119381.

② ANVIL HOLDER ASSEMBLY 125051 CONSISTS OF:
ANVIL HOLDER 125050 AND
RETAINER 120737.

Alcoa Fastening Systems

Commercial Products
1 Corporate Drive, Kingston, NY 12401

TYPE:	NON-SELF-RELEASING
FASTENER:	-08 BR
TOOL(S):	245, 246, 353, 2502, 2503, 2580

Notes: Product Revision: **A**

US Patent: Date: 07/08/03

99-2746

Part Number