

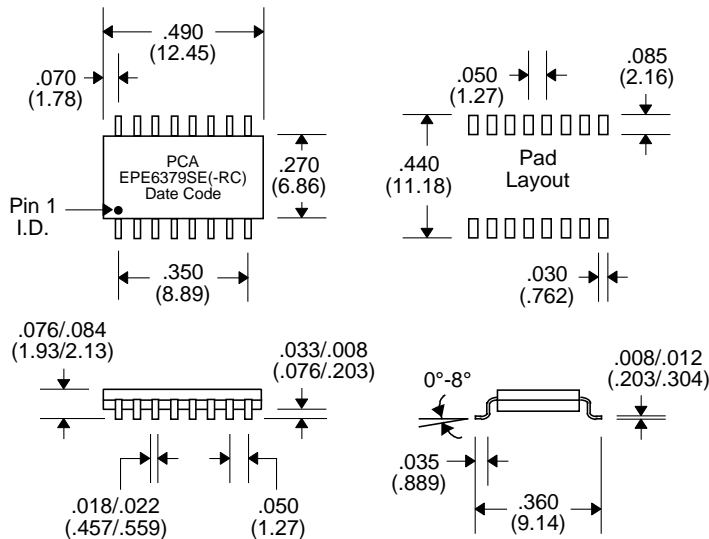
EPE6379SE & EPE6379SE-RC

- 1500 Vrms Isolation
- Robust design allows for toughest soldering processes
- Complies with or exceeds IEEE 802.3, 10Base-T Standards
- Add “-RC” after part number for RoHS Compliant
- Operating Temperature : -40°C to +85°C
- Storage Temperature : -40°C to +125°C

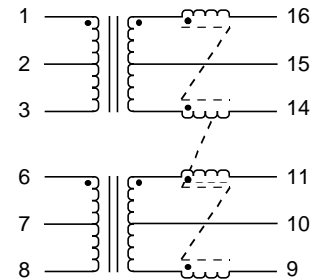
Electrical Parameters @ 25° C

OCL (μ H Min.)		Interwinding Capacitance (pF Max.)	Primary Leakage Inductance (μ H Max.)	Turns Ratio		Primary DCR (Max.)	
100 KHz, 0.1 Vrms		@ 100 KHz, 0.1 Vrms	@ 100 KHz, 0.1 Vrms	1CT:1CT	1CT:2.5CT		
200	35		Xmit & Rcv			Xmit	Rcv
Pins 1-3	Pins 6-8	15	0.4	Pins 1-3:16-14	Pins 6-8:11-9	0.8	0.8

Package



Schematic



Notes :	EPE6379SE	EPE6379SE-RC
1. Lead Finish	SnPb	Hot Dipped Sn or SAC
2. Peak Temperature Rating	225°C	260°C
3. Moisture Sensitive Levels	MSL = 3 (168 Hours, 30°C/60%RH)	MSL = 4 (72 Hours, 30°C/60%RH)
4. Weight	0.84 grams	0.84 grams
5. Packaging Information	(Tube) 39 pieces/tube (Tape & Reel) 600 pieces/13" reel	39 pieces/tube 600 pieces/13" reel

Unless Otherwise Specified Dimensions are in Inches /mm \pm .010 / .25