



P/N: FS2022D DATA SHEET

Feature



- Designed for 10 BASE-T application.
- Fully compatible with IEEE 802.3 standard.
- 16-PIN SMD low profile package.
- Operating temperature range: 0°C to +70°C.
- Storage temperature range: -25°C to +125°C.

Electrical Specifications @ 25°C

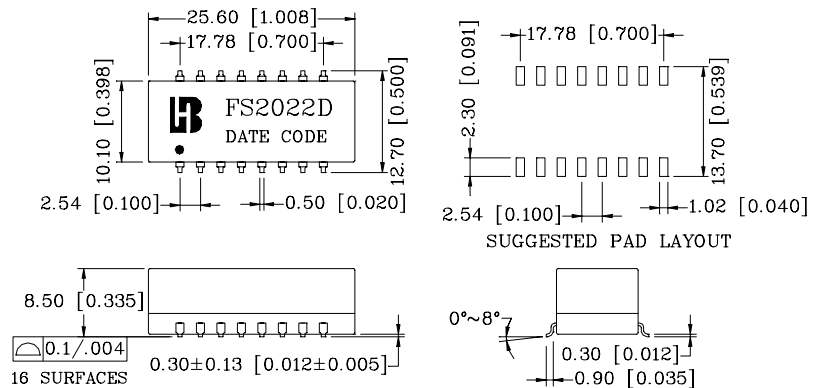
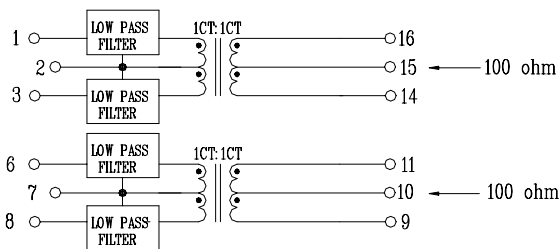
Part Number	Turns Ratio (±5%)		CUT-OFF Frequency TX/RX	Insertion Loss TX/RX(dB Max) 1-10MHz	HI-POT (Vrms)
	TX	RX			
FS2022D	1CT:1CT	1CT:1CT	17 MHz±1.5MHz	-1.0	2000

Continue

Part Number	Return Loss TX/RX(dB Min)	Cross talk Attenuation (dB Min)	Attenuation TX/RX(dB Min)		
	1-12MHz	1-10MHz	20MHz	25MHz	30MHz
FS2022D	-13.5	-30	-6.8/-4.2	-27/-20	-32/-32

Schematic

Mechanical



Units: mm[Inches] Tolerances: xx.x0±0.25[0.010]
0.xx±0.05[0.002]