

PLEASE CHECK WWW.MOLEX.COM FOR LATEST PART INFORMATION

Part Number: **0190380009**
Status: **Active**
Description: InsulKrimp™ Snap Plug Receptacle for 14-16 AWG Wire, Nylon, Fits Male Plug Diameter 3.96mm (.156")

Documents:

[Drawing \(PDF\)](#) [RoHS Certificate of Compliance \(PDF\)](#)

Agency Certification

CSA LR18689
 UL E152602

General

Product Family Quick Disconnects
 Series [19038](#)
 Comments Fits Male Plug Dia. 3.96mm (.156")
 Crimp Quality Equipment Yes
 Product Name InsulKrimp™
 Type Snap Receptacle

Physical

Barrel Type Closed
 Color - Resin Natural
 Flammability 94V-0, 94V-2
 Gender Female
 Glow-Wire Compliant No
 Insulation Nylon (PA)
 Lock to Mating Part None
 Material - Metal Brass
 Material - Plating Mating Tin
 Material - Plating Termination Tin
 Material - Resin Nylon
 Orientation Straight
 Packaging Type Bag
 Plating min: Mating (µin) 160
 Plating min: Mating (µm) 4
 Plating min: Termination (µin) 160
 Plating min: Termination (µm) 4
 Tab Thickness N/A
 Tab Width N/A
 Termination Interface: Style Crimp or Compression
 Wire Insulation Diameter 3.81mm (.150") max.
 Wire Size AWG 14, 16
 Wire Size mm² 1.00 - 2.50

Electrical

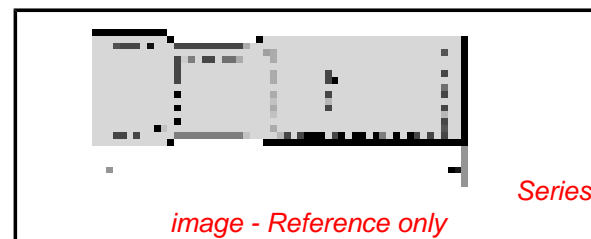
Voltage - Maximum 600V

Material Info

Old Part Number BRB-2156N

Reference - Drawing Numbers

Sales Drawing SD-19038-001



EU RoHS

ELV and RoHS Compliant
REACH SVHC
 Not Reviewed
Halogen-Free Status
 Not Reviewed

China RoHS



Need more information on product environmental compliance?

Email productcompliance@molex.com
 For a multiple part number RoHS Certificate of Compliance, [click here](#)

Please visit the [Contact Us](#) section for any non-product compliance questions.

Search Parts in this Series

[19038Series](#)

Application Tooling | FAQ

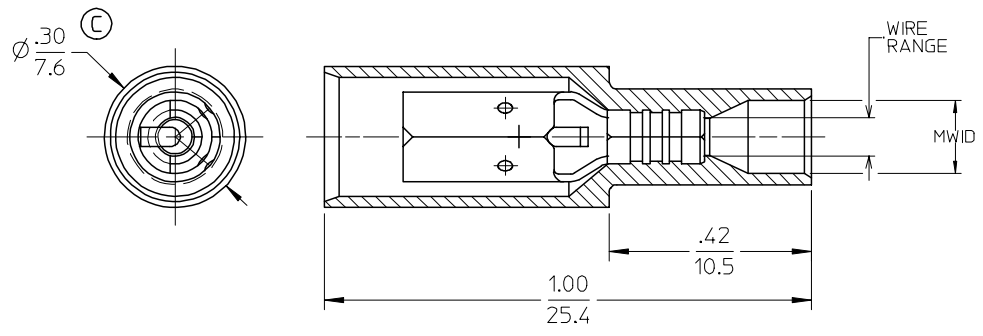
Tooling specifications and manuals are found by selecting the products below. Crimp Height Specifications are then contained in the Application Tooling Specification document.

Global

Description	Product #
Hand Crimp Tool	0640012100
Crimp Head for the AT-200™ Pneumatic Hand Tool	0640052100

PLEASE CHECK WWW.MOLEX.COM FOR LATEST PART INFORMATION

MATERIAL NO. NYLON	ENGINEERING NO. NYLON	INSULATION NYLON COLOR	MATERIAL NO. PVC	ENGINEERING NO. PVC	INSULATION PVC COLOR	WIRE RANGE AWG / MM ²	MWID	FITS MALE PLUG DIA.
190380037	BRA-2156N	LIGHT RED	190380001	BRA-2156	RED	22-18 / 0.25-1.3	.128/(3.25)	.156/(3.96)
190380006	BRA-2180N	LIGHT RED	190380004	BRA-2180	RED	22-18 / 0.25-1.3	.128/(3.25)	.180/(4.57)
190380009	BRB-2156N	LIGHT BLUE	190380007	BRB-2156	DARK BLUE	16-14 / 1.0-2.6	.150/(3.81)	.156/(3.96)
190380013	BRB-2180N	LIGHT BLUE	190380011	BRB-2180	DARK BLUE	16-14 / 1.0-2.6	.150/(3.81)	.180/(4.57)



SALES DRAWING

NOTE(S):

1. RECEPTACLE MATERIAL: .016/(0.41) THK BRASS
2. RECEPTACLE FINISH: TIN PLATING
3. MWID = MAXIMUM WIRE INSULATION DIAMETER
4. ALL COMPONENTS ARE ROHS COMPLIANT.

Ⓢ

REVISE DIM. EC NO: ETC2006-0450 DRWN: CYORK 2006/05/23 CHKD: JMACNEIL 2006/05/24 APPR: RDEROSS 2006/05/24	QUALITY SYMBOLS	GENERAL TOLERANCES (UNLESS SPECIFIED)	SCALE 5:1	DESIGN UNITS INCH	THIRD ANGLE PROJECTION	REVISE ON CAD ONLY															
	▽ = 0	<table border="1"> <thead> <tr> <th></th> <th>mm</th> <th>INCH</th> </tr> </thead> <tbody> <tr> <td>4 PLACES</td> <td>± ---</td> <td>± ---</td> </tr> <tr> <td>3 PLACES</td> <td>± ---</td> <td>± .005</td> </tr> <tr> <td>2 PLACES</td> <td>± 0.13</td> <td>± .01</td> </tr> <tr> <td>1 PLACE</td> <td>± 0.25</td> <td>± ---</td> </tr> </tbody> </table>		mm	INCH	4 PLACES	± ---	± ---	3 PLACES	± ---	± .005	2 PLACES	± 0.13	± .01	1 PLACE	± 0.25	± ---	DIMENSION STYLE IN/MM	TITLE FULLY INSULATED INSULK FEMALE BULLET RECEPTACLE		
		mm	INCH																		
	4 PLACES	± ---	± ---																		
3 PLACES	± ---	± .005																			
2 PLACES	± 0.13	± .01																			
1 PLACE	± 0.25	± ---																			
▽ = 0	ANGULAR ±1/2°	DRAWN BY DAY DATE 97/07/07	MOLEX INCORPORATED																		
REV	DRAFT WHERE APPLICABLE MUST REMAIN WITHIN DIMENSIONS	CHECKED BY RWD DATE 97/07/07	APPROVED BY RWD DATE 97/07/07	MATERIAL NO. SEE CHART	DOCUMENT NO. SD-19038-001	SHEET NO. 1 OF 1															