

PLEASE CHECK WWW.MOLEX.COM FOR LATEST PART INFORMATION

Part Number: [0482002300](#)
Status: **Active**
Overview:
Description: 1.27mm (.050") Pitch Compact PCI Slot, Board-to-Board Edge Card Connector, Vertical, Double-Sided, Dual Read-Out, Brown, with Plastic Peg, Gold (Au) Flash, 46 Circuits, Lead Free

General

Product Family	Edge Card Connectors
Series	48200
Component Type	Edgecard to PCB
Overview	edge_card_connectors
Product Name	Edge Card

Physical

Circuits (Loaded)	46
Circuits (maximum)	46
Circuits Detail	All Signal
Durability (mating cycles max)	50
Entry Angle	Vertical (Top Entry)
Keying to Mating Part	Yes
Material - Plating Mating	Gold
Material - Plating Termination	Tin
PC Tail Length (in)	0.118 In
PC Tail Length (mm)	3.00 mm
PCB Locator	Yes
PCB Retention	Yes
PCB Thickness Recommended (in)	0.062 In
PCB Thickness Recommended (mm)	1.60 mm
Packaging Type	Tray
Pitch - Mating Interface (in)	0.050 In
Pitch - Mating Interface (mm)	1.27 mm
Polarized to Mating Part	Yes
Temperature Range - Operating	-55°C to +105°C
Termination Interface: Style	Through Hole

Electrical

Current - Maximum per Contact	1A
Voltage - Maximum	30V

Material Info

Reference - Drawing Numbers

Packaging Specification	PK-48200-002
Product Specification	PS-48200-002, RPS-48200-002
Sales Drawing	SD-48200-002
Test Summary	TS-48200-002

EU RoHS

ELV and RoHS Compliant

REACH SVHC

Not Reviewed

Halogen-Free

Status

Not Reviewed

China RoHS



Need more information on product environmental compliance?

Email productcompliance@molex.com
 For a multiple part number RoHS Certificate of Compliance, [click here](#)

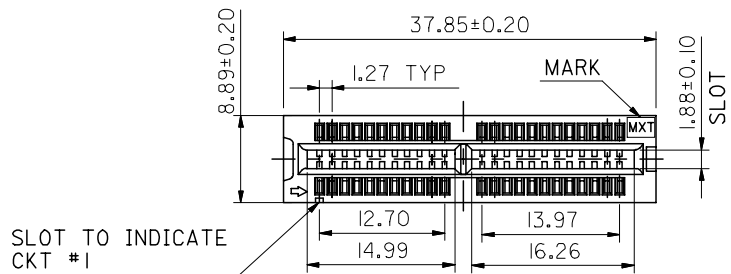
Please visit the [Contact Us](#) section for any non-product compliance questions.

Search Parts in this Series

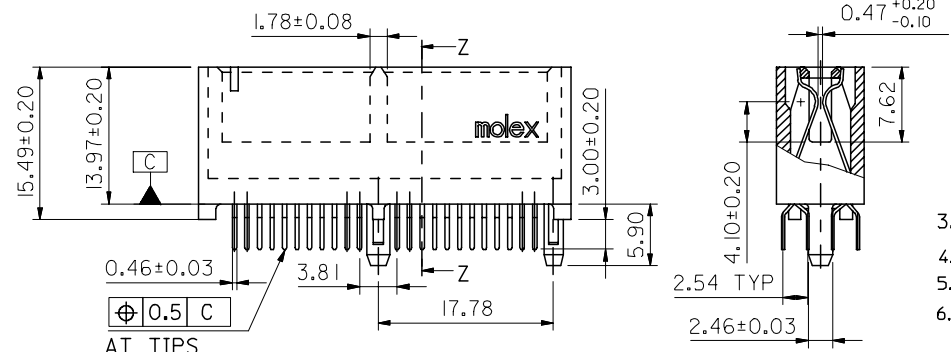
[48200Series](#)

Mates With

32-bit PCI card

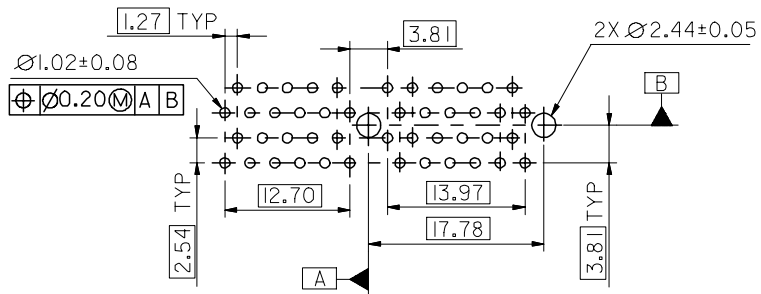


SLOT TO INDICATE CKT #1



AT TIPS

SECTION Z-Z



RECOMMENDED CONNECTOR MOUNTING HOLE PATTERN

NOTES:

1. MATERIAL:

HOUSING : PPS, COLOR: BROWN
 TERMINAL: PHOSPHOR BRONZE

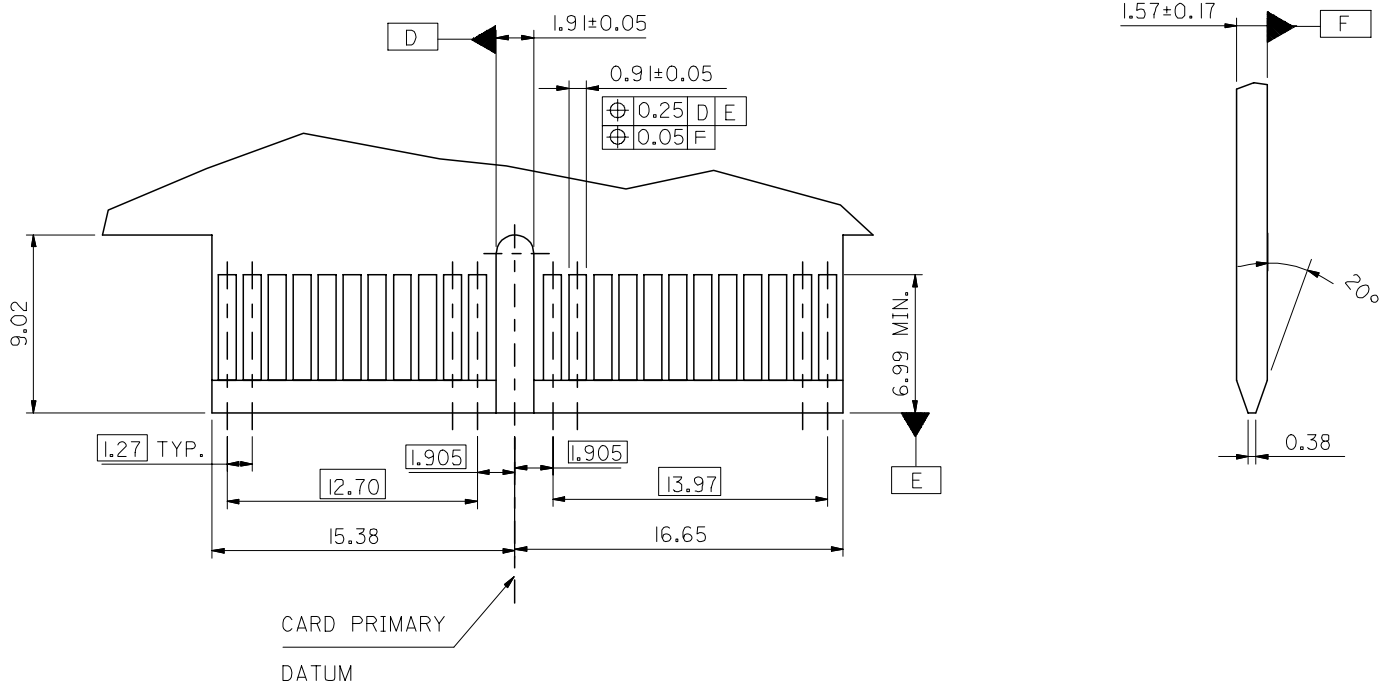
2. FINISH 0 - GOLD FLASH IN CONTACT AREA, 1.52um/60uin MIN. TIN IN SOLDER TAIL, BOTH OVER 0.76um/30uin MIN. NICKEL OVERALL.
 1 - 0.25um/10uin MIN. GOLD IN CONTACT AREA, 1.52um/60uin MIN. TIN IN SOLDER TAIL, BOTH OVER 0.76um/30uin MIN. NICKEL OVERALL.
 2 - 0.76um/30uin MIN. GOLD IN CONTACT AREA, 1.52um/60uin MIN. TIN IN SOLDER TAIL, BOTH OVER 0.76um/30uin MIN. NICKEL OVERALL.

3. PRODUCT SPECIFICATION : PER TO PS-48200-002
 4. TEST SUMMARY : PER TS-48200-002
 5. PACKAGE SPECIFICATION : PER PK-48200-002
 6. LEAD FREE AND ROHS COMPLIANCE PRODUCT

PART NO. LEGEND : 48200 - 23 * *

PEG VERSION	PLATING VERSION
0 : PLASTIC PEG	0
	1
	2

EWR 2006-0035 EC NO: SH2006-0520 DRW: ALLIN 2006/06/26 CHKD: 2006/06/27 APPR: WWSCHANG 2006/06/30	QUALITY SYMBOLS	GENERAL TOLERANCES (UNLESS SPECIFIED) DIMENSION STYLE MM ONLY SCALE 1:1 DESIGN UNITS METRIC THIRD ANGLE PROJECTION	DRAWN BY	DATE	TITLE ASS'Y 1.27MM EDGE CARD CONNECTOR (46 CKTS) (LEAD-FREE VERSION) MOLEX INCORPORATED	
	▽=0		4 PLACES ± --- ± ---	TOM		2005/02/04
	▽=0		3 PLACES ± --- ± ---	CHECKED BY		DATE
			2 PLACES ± 0.25 ± ---	ALL IN		2005/02/04
	1 PLACE ± 0.25 ± ---	ANGULAR ± 3 °	APPROVED BY	DATE	DOCUMENT NO. SD-48200-002	
			WWSCHANG	2005/02/04		SHEET NO. 1 OF 2
		DRAFT WHERE APPLICABLE MUST REMAIN WITHIN DIMENSIONS	SEE TABLE			
			THIS DRAWING CONTAINS INFORMATION THAT IS PROPRIETARY TO MOLEX INCORPORATED AND SHOULD NOT BE USED WITHOUT WRITTEN PERMISSION			



RECOMMENDED MATING P.C.BOARD EDGE CONFIGURATION

SEE SHEET 1 EC NO: SH2006-0520 DRWN: ALLIN CHKD: APPR: WWSCHANG	2006/06/26 2006/06/27 2006/06/30	DESCRIPTION REV	QUALITY SYMBOLS	GENERAL TOLERANCES (UNLESS SPECIFIED)	DIMENSION STYLE	SCALE	DESIGN UNITS	THIRD ANGLE PROJECTION																		
			$\nabla=0$ $\nabla C=0$	<table border="1"> <thead> <tr> <th></th> <th>mm</th> <th>INCH</th> </tr> </thead> <tbody> <tr> <td>4 PLACES</td> <td>± ---</td> <td>± ---</td> </tr> <tr> <td>3 PLACES</td> <td>± ---</td> <td>± ---</td> </tr> <tr> <td>2 PLACES</td> <td>± 0.25</td> <td>± ---</td> </tr> <tr> <td>1 PLACE</td> <td>± 0.25</td> <td>± ---</td> </tr> <tr> <td colspan="3">ANGULAR ± 3 °</td> </tr> </tbody> </table>		mm	INCH	4 PLACES	± ---	± ---	3 PLACES	± ---	± ---	2 PLACES	± 0.25	± ---	1 PLACE	± 0.25	± ---	ANGULAR ± 3 °			MM ONLY	1:1	METRIC	
				mm	INCH																					
			4 PLACES	± ---	± ---																					
3 PLACES	± ---	± ---																								
2 PLACES	± 0.25	± ---																								
1 PLACE	± 0.25	± ---																								
ANGULAR ± 3 °																										
			<table border="1"> <tr> <td>DRAWN BY</td> <td>DATE</td> <td>TITLE</td> </tr> <tr> <td>TOM</td> <td>2005/02/04</td> <td>ASS'Y 1.27MM EDGE CARD CONNECTOR (46 CKTS) (LEAD-FREE VERSION)</td> </tr> <tr> <td>CHECKED BY</td> <td>DATE</td> <td></td> </tr> <tr> <td>ALL IN</td> <td>2005/02/04</td> <td></td> </tr> <tr> <td>APPROVED BY</td> <td>DATE</td> <td></td> </tr> <tr> <td>WWSCHANG</td> <td>2005/02/04</td> <td></td> </tr> </table>	DRAWN BY	DATE	TITLE	TOM	2005/02/04	ASS'Y 1.27MM EDGE CARD CONNECTOR (46 CKTS) (LEAD-FREE VERSION)	CHECKED BY	DATE		ALL IN	2005/02/04		APPROVED BY	DATE		WWSCHANG	2005/02/04						
DRAWN BY	DATE	TITLE																								
TOM	2005/02/04	ASS'Y 1.27MM EDGE CARD CONNECTOR (46 CKTS) (LEAD-FREE VERSION)																								
CHECKED BY	DATE																									
ALL IN	2005/02/04																									
APPROVED BY	DATE																									
WWSCHANG	2005/02/04																									
			<table border="1"> <tr> <td>MATERIAL NO.</td> <td>DOCUMENT NO.</td> <td>SHEET NO.</td> </tr> <tr> <td></td> <td>SD-48200-002</td> <td>2 OF 2</td> </tr> </table>	MATERIAL NO.	DOCUMENT NO.	SHEET NO.		SD-48200-002	2 OF 2																	
MATERIAL NO.	DOCUMENT NO.	SHEET NO.																								
	SD-48200-002	2 OF 2																								

DRAFT WHERE APPLICABLE MUST REMAIN WITHIN DIMENSIONS

SEE TABLE

THIS DRAWING CONTAINS INFORMATION THAT IS PROPRIETARY TO MOLEX INCORPORATED AND SHOULD NOT BE USED WITHOUT WRITTEN PERMISSION