

**PLEASE CHECK WWW.MOLEX.COM FOR LATEST PART INFORMATION**

**Part Number:** [0513001511](#)  
**Status:** **Active**  
**Description:** CRC™ Shielded Rectangular I/O Receptacle Socket Housing for Female Terminal, Power, 15 Circuits, Polarization Type A

**Documents:**

[Drawing \(PDF\)](#) [RoHS Certificate of Compliance \(PDF\)](#)  
[Product Specification PS-51300-001 \(PDF\)](#)

**Agency Certification**

CSA	LR19980
TUV	R72081037
UL	E29179

**General**

Product Family	I/O Connectors
Series	51300
Application	Panel-Mount, Wire-to-Wire
Component Type	Housing
Product Name	CRC™
Type	N/A

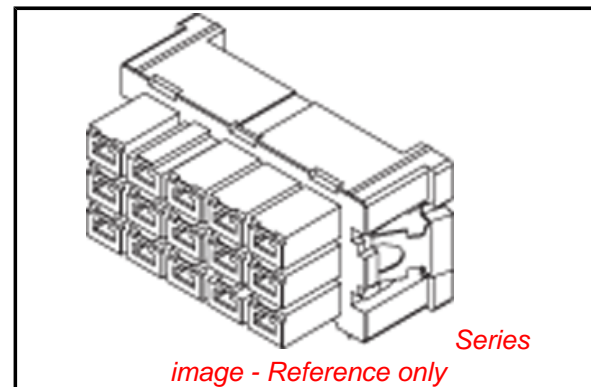
**Physical**

Boot Color	N/A
Circuits (Loaded)	N/A
Circuits (maximum)	15
Color - Resin	Black
Durability (mating cycles max)	100
Flammability	94V-0
Gender	Female
Keying to Mating Part	Yes
Lock to Mating Part	Yes
Material - Metal	Stainless Steel
Material - Plating Mating	n/a
Material - Resin	Polyester
Number of Rows	5
Orientation	Vertical
PCB Locator	No
Packaging Type	Tray
Panel Mount	Front, Rear
Pitch - Mating Interface (in)	0.197 In
Pitch - Mating Interface (mm)	5.00 mm
Pitch - Term. Interface (in)	0.197 In
Pitch - Term. Interface (mm)	5.00 mm
Polarized to Mating Part	Yes
Polarized to PCB	N/A
Ports	1
Surface Mount Compatible (SMC)	No
Temperature Range - Operating	-40°C to +105°C
Termination Interface: Style	N/A
Waterproof / Dustproof	No

**Electrical**

Current - Maximum per Contact	15A
Voltage - Maximum	250V AC (RMS)/DC

**Material Info**



**EU RoHS**

**ELV and RoHS Compliant**  
**REACH SVHC Contains SVHC: No**  
**Halogen-Free Status**  
**Not Reviewed**

**China RoHS**



**Need more information on product environmental compliance?**

Email [productcompliance@molex.com](mailto:productcompliance@molex.com)  
 For a multiple part number RoHS Certificate of Compliance, [click here](#)

Please visit the [Contact Us](#) section for any non-product compliance questions.

**Search Parts in this Series**

51300Series

**Mates With**

55891-151X plug housing, 55887 plug assembly set

**Use With**

56377-50\*\* receptacle shell|56194-9\*85 female terminal

**Reference - Drawing Numbers**

Product Specification  
Sales Drawing

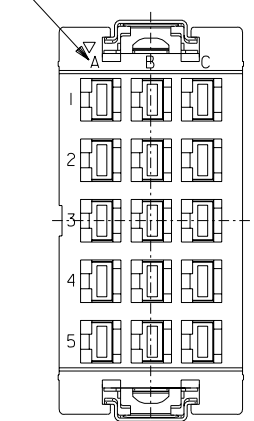
PS-51300-001  
SD-51300-001

This document was generated on 04/12/2010

**PLEASE CHECK [WWW.MOLEX.COM](http://WWW.MOLEX.COM) FOR LATEST PART INFORMATION**

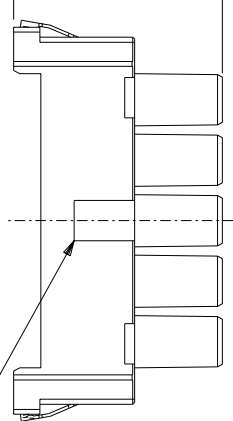
DWG. NO. SD-51300-001

回路番号表示  
CKT.No.IDENTIFICATION

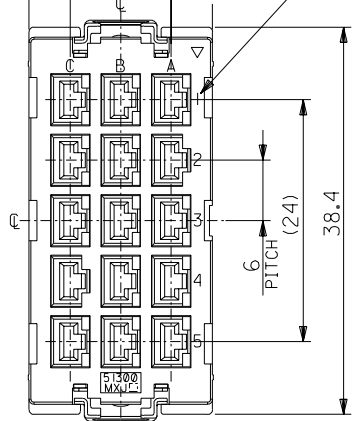


電線挿入側  
WIRE SIDE

20.7

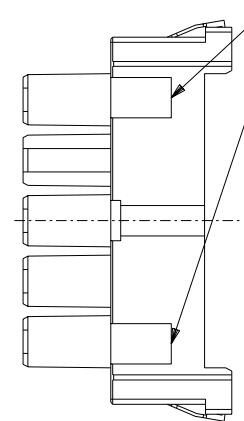


18.2  
(10)  
5  
PITCH



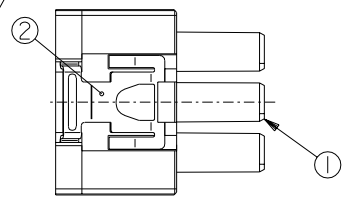
嵌合側  
MATING SIDE

回路番号表示  
CKT.No.IDENTIFICATION



シエル挿入方向キー  
POLARIZATIONS KEY FOR SHELL

シエル挿入方向キー  
POLARIZATIONS KEY FOR SHELL



注記  
NOTES

- 材質  
MATERIAL  
①ハウジング：ガラス入りPBT樹脂  
HOUSING : PBT G.F.  
UL94V-0 色：黒  
UL94V-0 COLOR : BLACK  
②スプリング：ステンレス鋼 t0.3  
SPRING : STAINLESS STEEL t0.3
- 適用端子：56194-9\*85  
APPLICABLE CRIMP PIN : 56194-9\*85
- 適用リセプタクル シェル：56377-50\*\*  
APPLICABLE RECEPTACLE SHELL : 56377-50\*\*
- 嵌合相手：55891-151\*  
MEET WITH : 55891-151\*

<誤嵌合防止キー（極性）タイプ> <POLARITY KEY TYPE>

51300-1512	51300-1512	51300-1513	51300-1514
A TYPE	B TYPE	C TYPE	D TYPE

D	51300-1514	51300-151*	15
C	51300-1513		
B	51300-1512		
A	51300-1511		
POLARITY TYPE	MATERIAL NO.	MODEL NO.	CIRCUIT

DO NOT SCALE DRAWING

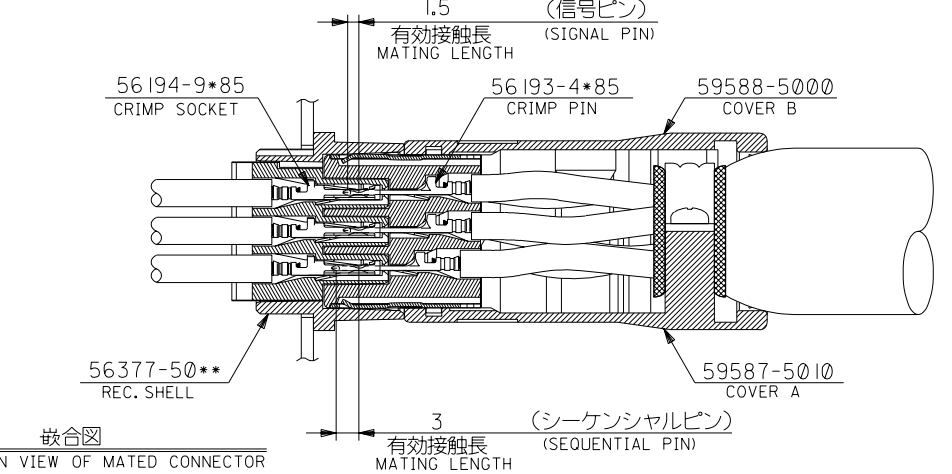
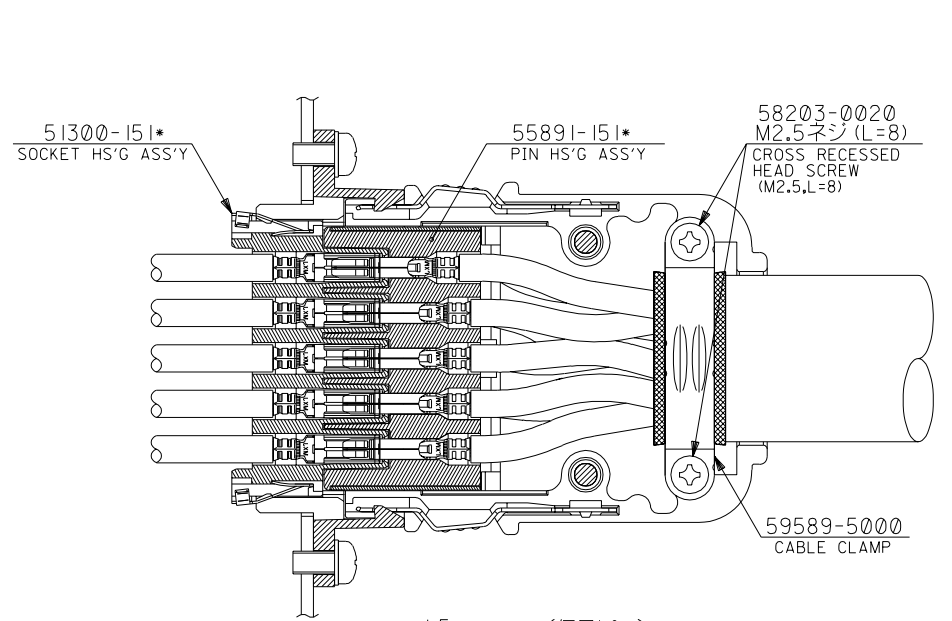
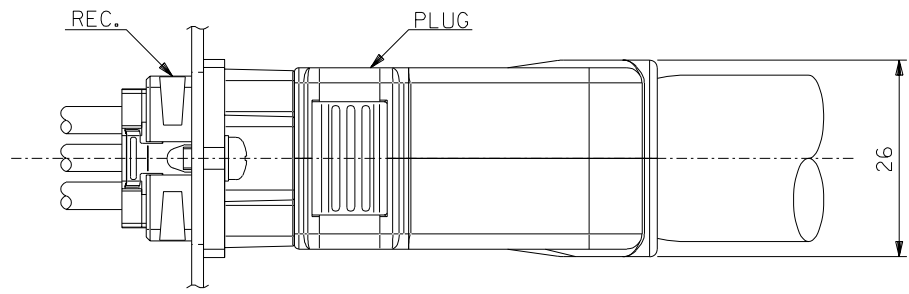
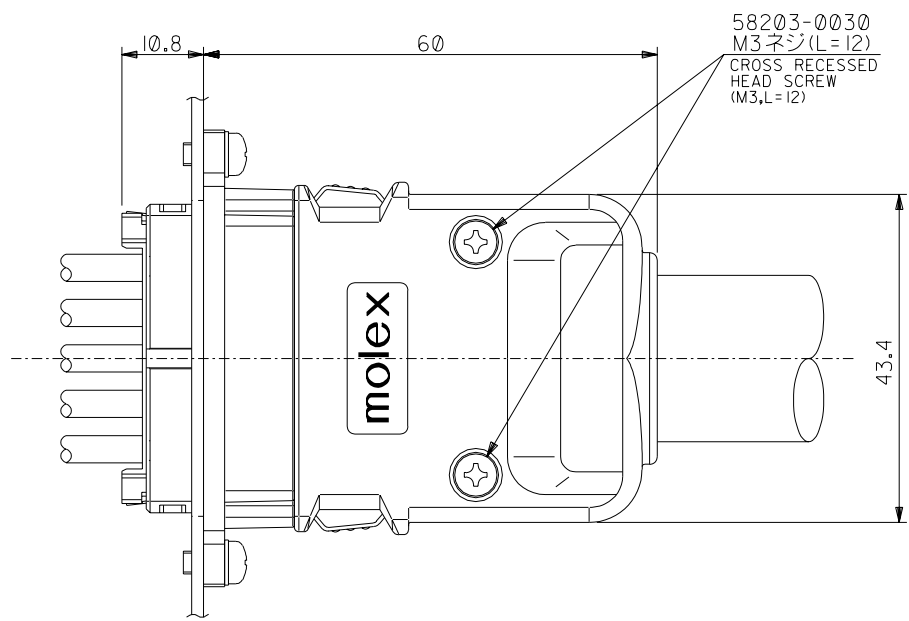
EC NO. DRWN: CHK: APPR:	EC NO. DRWN: CHK: APPR:	EC NO. DRWN: CHK: APPR:	EC NO. DRWN: CHK: APPR:	EC NO. DRWN: CHK: APPR:
				RELEASED '03/06/27 EC NO. J2003-3272 DRWN: S.AKIYAMA CHK: J.MIYAZAWA APPR: YO.ITO

MATERIAL 材料	注記参照 SEE NOTES
FINISH 仕上げ	#
WIRE RANGE 適用線径範囲	#
INS. RANGE 被覆外径	#

GENERAL TOLERANCES: (UNLESS SPECIFIED) 一般公差	SCALE	DESIGN UNITS <input checked="" type="checkbox"/> mm <input type="checkbox"/> INCH	THIRD ANGLE PROJECTION <input checked="" type="checkbox"/> mm <input type="checkbox"/> INCH
10 UNDER 未満	±0.2	DRAWN BY & DATE S. Akiyama '03/02/28	TITLE: COMPACT ROBOT CONN. (CRC) POWER REC. SOCKET HS'G ASS'Y
10 OVER 30 UNDER 未満	±0.25	CHECKED BY & DATE Y. Ito '03/03/04	MOLEX MOLEX INCORPORATED
30 OVER 以上	±0.3	APPROVED BY & DATE Y. Ito '03/03/04	
ANGLE 角度	±3°	CAD FILENAME SD-51300-001.S01	MATERIAL NO. SEE CHART

DIMENSIONS: <input type="checkbox"/> mm <input type="checkbox"/> INCH	SHT REV
REVISIONS REVISION ON CAD ONLY	
MATERIAL NO. DRAWING NO. SHEET NO. SD-51300-001 SD-51300-001 1 OF 4	
THIS DRAWING CONTAINS INFORMATION THAT IS PROPRIETARY TO MOLEX INCORPORATED AND SHOULD NOT BE USED WITHOUT WRITTEN PERMISSION.	
SIZE B	

DWG. NO.  
SD-51300-001

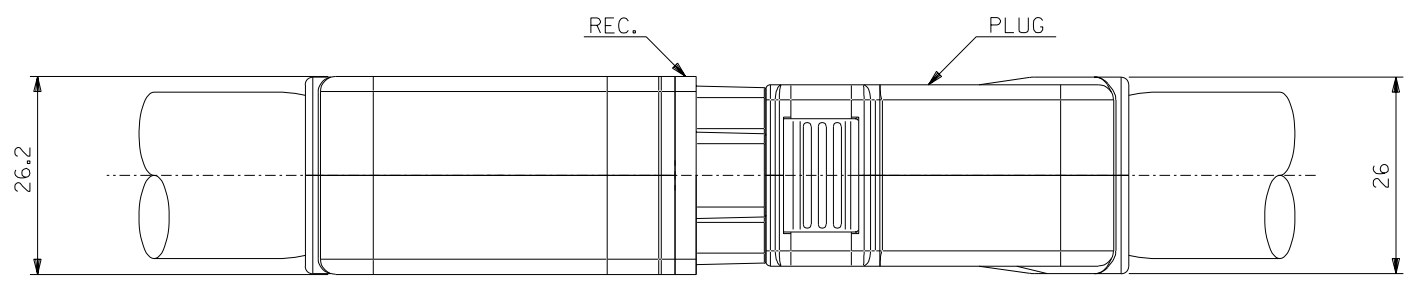
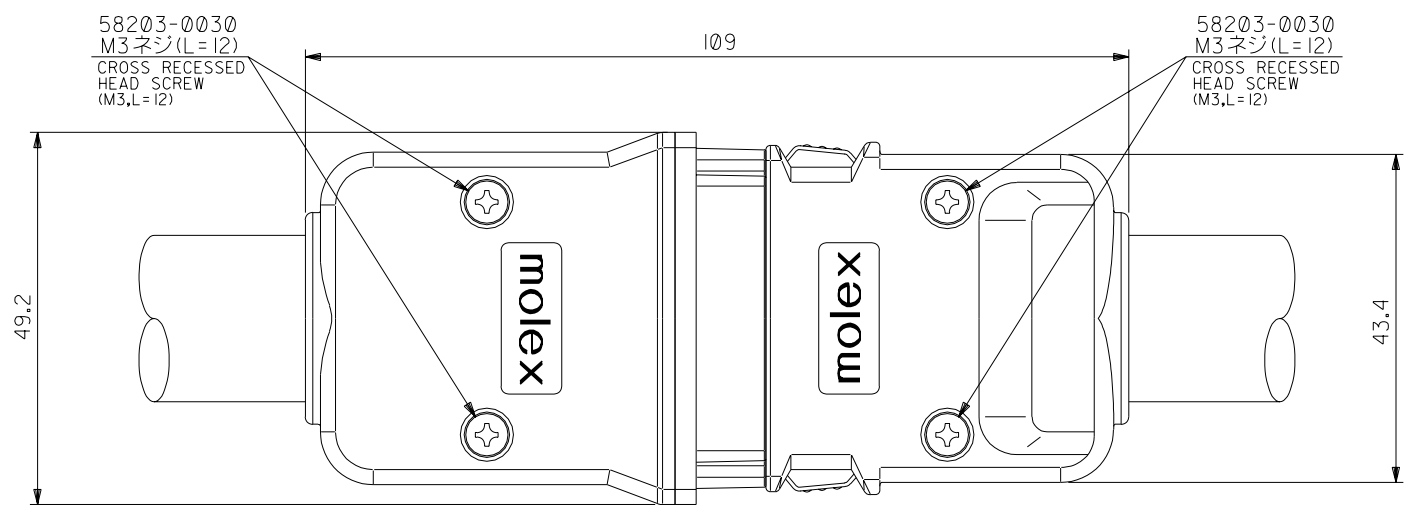


嵌合図  
CROSS-SECTION VIEW OF MATED CONNECTOR

DO NOT SCALE DRAWING

EC NO. DRWN: CHK: APPR:	EC NO. DRWN: CHK: APPR:	EC NO. DRWN: CHK: APPR:	EC NO. DRWN: CHK: APPR:	EC NO. DRWN: CHK: APPR:	RELEASED/03/06/27 EC NO. J2003-3272 DRWN: S. AKIYAMA CHK: J. MIYAZAWA APPR: Y. ITO	MATERIAL 材料	注記参照 SEE NOTES	GENERAL TOLERANCES: (UNLESS SPECIFIED) 一般公差	SCALE	DESIGN UNITS mm □ INCH	THIRD ANGLE PROJECTION	DIMENSIONS:	SHT	REV
						FINISH 仕上げ						10 UNDER 未満	±0.2	DRAWN BY & DATE <i>S. Akizama</i> 03/02/28
EC NO. DRWN: CHK: APPR:	EC NO. DRWN: CHK: APPR:	EC NO. DRWN: CHK: APPR:	EC NO. DRWN: CHK: APPR:	EC NO. DRWN: CHK: APPR:	0	WIRE RANGE 適用電線範囲	#	10 OVER 30 UNDER 未満	±0.25	CHECKED BY & DATE <i>J. Miyazawa</i> 03/03/04	APPROVED BY & DATE <i>Y. Ito</i> 03/03/04	TITLE: COMPACT ROBOT CONN. (CRC) POWER REC. SOCKET HS'G ASS'Y		
						ANGLE 角度		30 OVER 以上				±0.3	MATERIAL NO.	DRAWING NO.
INS. RANGE 被覆外径								#		CAD FILENAME SD-51300-001.S02		SEE CHART	SD-51300-001	2 OF 4
THIS DRAWING CONTAINS INFORMATION THAT IS PROPRIETARY TO MOLEX INCORPORATED AND SHOULD NOT BE USED WITHOUT WRITTEN PERMISSION.												SIZE B	EN-02J(097) MXJ-54	

DWG. NO.  
SD-51300-001

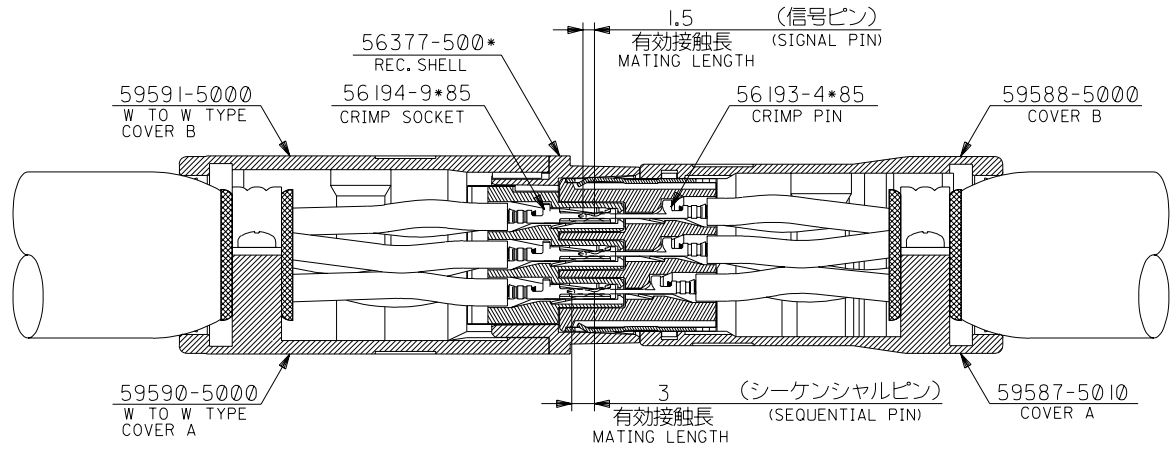
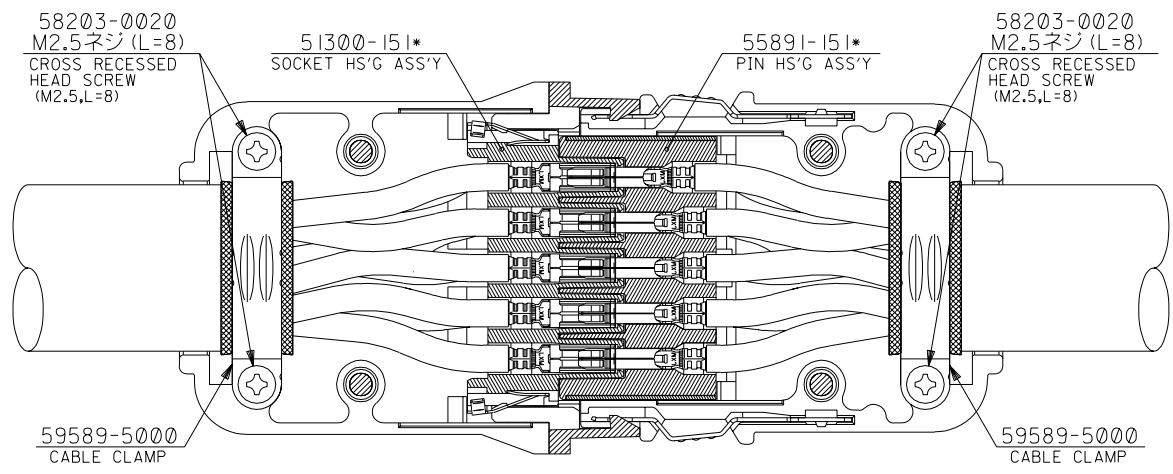


嵌合図 (中継タイプ)  
CROSS-SECTION VIEW OF MATED CONNECTOR  
(WIRE TO WIRE TYPE)

DO NOT SCALE DRAWING

EC NO. DRWN: CHK: APPR:	EC NO. DRWN: CHK: APPR:	EC NO. DRWN: CHK: APPR:	EC NO. DRWN: CHK: APPR:	EC NO. DRWN: CHK: APPR:	RELEASED 03/06/27 EC NO. J2003-3272 DRWN: S.AKIYAMA CHK: J.MIYAZAWA APPR: Y.OITO	MATERIAL 材料	注記参照 SEE NOTES	GENERAL TOLERANCES: (UNLESS SPECIFIED) 一般公差		SCALE	DESIGN UNITS	THIRD ANGLE PROJECTION	DIMENSIONS:	SHT	REV
						FINISH 仕上げ		10 UNDER 未滿	±0.2	mm INCH	mm INCH	mm mm	mm mm	mm ONLY	REVISION ON CAD ONLY
0	0	0	0	0	0	WIRE RANGE 適用電線範囲	—	10 OVER 以上	30 UNDER 未滿	±0.25	DRAWN BY & DATE <i>S. Akiyama</i> '03/02/28	TITLE: COMPACT ROBOT CONN. (CRC) POWER REC. SOCKET HS'G ASS'Y	MATERIAL NO. SD-51300-001		
0	0	0	0	0	0	INS. RANGE 被覆外径	—	30 OVER 以上	ANGLE 角度	±3°	CHECKED BY & DATE <i>J. Miyazawa</i> '03/03/04		MOLEX INCORPORATED		
								CAD FILENAME SD-51300-001.S03		MATERIAL NO. SEE CHART		SHEET NO. SD-51300-001		3 OF 4	
THIS DRAWING CONTAINS INFORMATION THAT IS PROPRIETARY TO MOLEX INCORPORATED AND SHOULD NOT BE USED WITHOUT WRITTEN PERMISSION.												SIZE B			

DWG. NO.  
SD-51300-001



嵌合図 (中継タイプ)  
CROSS-SECTION VIEW OF MATED CONNECTOR  
(WIRE TO WIRE TYPE)

DO NOT SCALE DRAWING

EC NO. DRWN: CHK: APPR:	EC NO. DRWN: CHK: APPR:	EC NO. DRWN: CHK: APPR:	EC NO. DRWN: CHK: APPR:
EC NO. DRWN: CHK: APPR:	EC NO. DRWN: CHK: APPR:	EC NO. DRWN: CHK: APPR:	EC NO. DRWN: CHK: APPR:
EC NO. DRWN: CHK: APPR:	EC NO. DRWN: CHK: APPR:	EC NO. DRWN: CHK: APPR:	EC NO. DRWN: CHK: APPR:

RELEASED 03/06/27  
EC NO. J2003-3272  
DRWN: S. AKIYAMA  
CHK: J. MIYAZAWA  
APPR: Y. ITO

MATERIAL 材料	注記参照 SEE NOTES
FINISH 仕上げ	#
WIRE RANGE 適用電線範囲	#
INS. RANGE 被覆外径	#

GENERAL TOLERANCES: (UNLESS SPECIFIED) 一般公差	
10 UNDER 未満	±0.2
10 OVER 30 UNDER 以上 未満	±0.25
30 OVER 以上	±0.3
ANGLE 角度	±3°

SCALE	DESIGN UNITS mm □ INCH
DRAWN BY & DATE S. Akiyama '03/02/28	THIRD ANGLE PROJECTION
CHECKED BY & DATE J. Miyazawa '03/03/04	TITLE: COMPACT ROBOT CONN. (CRC) POWER REC. SOCKET HS'G ASS'Y
APPROVED BY & DATE Y. Ito '03/03/04	MOLEX MOLEX INCORPORATED
CAD FILENAME SD-51300-001.S04	MATERIAL NO. SEE CHART
	DRAWING NO. SD-51300-001
	SHEET NO. 4 OF 4

DIMENSIONS: mm □ INCH □ mm ONLY		SHT	REV
REVISIONS			
THIS DRAWING CONTAINS INFORMATION THAT IS PROPRIETARY TO MOLEX INCORPORATED AND SHOULD NOT BE USED WITHOUT WRITTEN PERMISSION.		SIZE B	