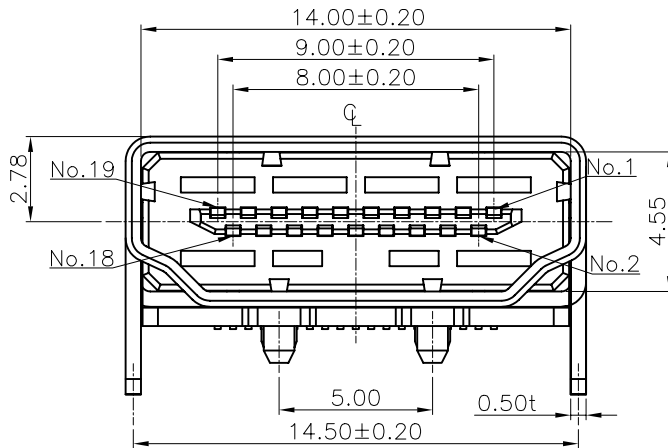
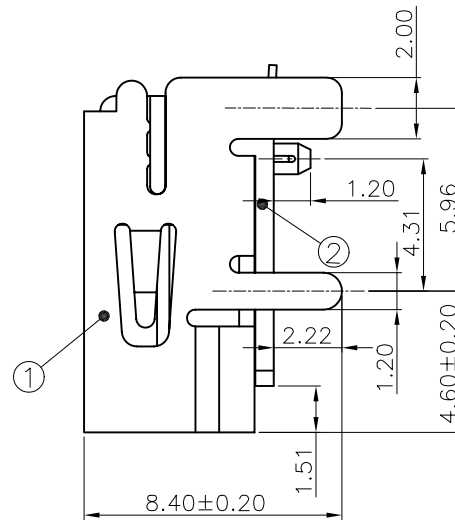
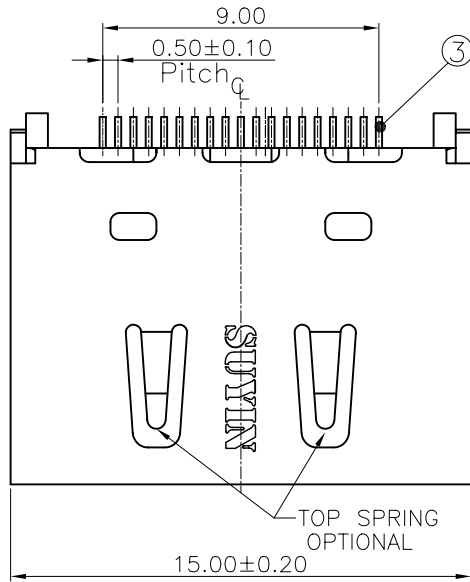
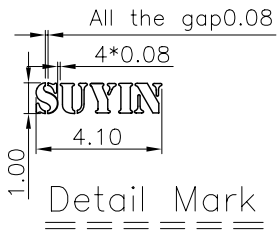




**RoHS Compliant**  
2002/95/EC



1 NOTES:  
100042MB019S□09ZA

1. Plating
  - S1-05u" Min. gold in contact area/  
100u" Min. Tin in solder area.
  - S2-Gold flash in contact area/  
100u" Min. Tin in solder area.
  - S3-10u" Min. gold in contact area/  
100u" Min. Tin in solder area.
  - S4-15u" Min. gold in contact area/  
100u" Min. Tin in solder area.
  - S5-30u" Min. gold in contact area/  
100u" Min. Tin in solder area.

NO.	DESCRIPTION	MATERIAL	COLOR	REMARK
3	Terminal	Copper Alloy		Gold/Tin Plated Over Ni
2	Housing	High Temp.	Black	UL 94V-0
1	Shell	Metal		Ni Plated

**SUYIN**  
CONNECTOR

CUSTOMER COPY	TITLE: HDMI Receptacle SMT Type Female Connector Without Flange			
PART NO.		100042MB019SX09ZA		
PRODUCT SPEC.		100042MX019XXXXZX		
FILE NAME.	DWG	100042MB019SX09ZA-C		
SCALE	4:1	UNIT:mm	A4	SHEET: 1 of 3

ECN(DCN) NO.	REV	DATE	DESCRIPTION	CHANGE	APPRO.	GENERAL TOLERANCE UNLESS OTHERWISE NOTED	ANGLE	±2°	DRAW	李楠	07'01/10
			NEW RELEASE	李楠	童俐	30 ~ ±0.50	30 ~ ±0.50	DESIGN	李楠	07'01/10	
	0		NEW	李楠	童俐	10 ~ 30 ±0.30	10 ~ 30 ±0.30	CHECK	鄭冰雨	07'01/10	
	P0	09/02/06				~ 10 ±0.15	~ 10 ±0.15	APPRO.	童俐	07'01/10	

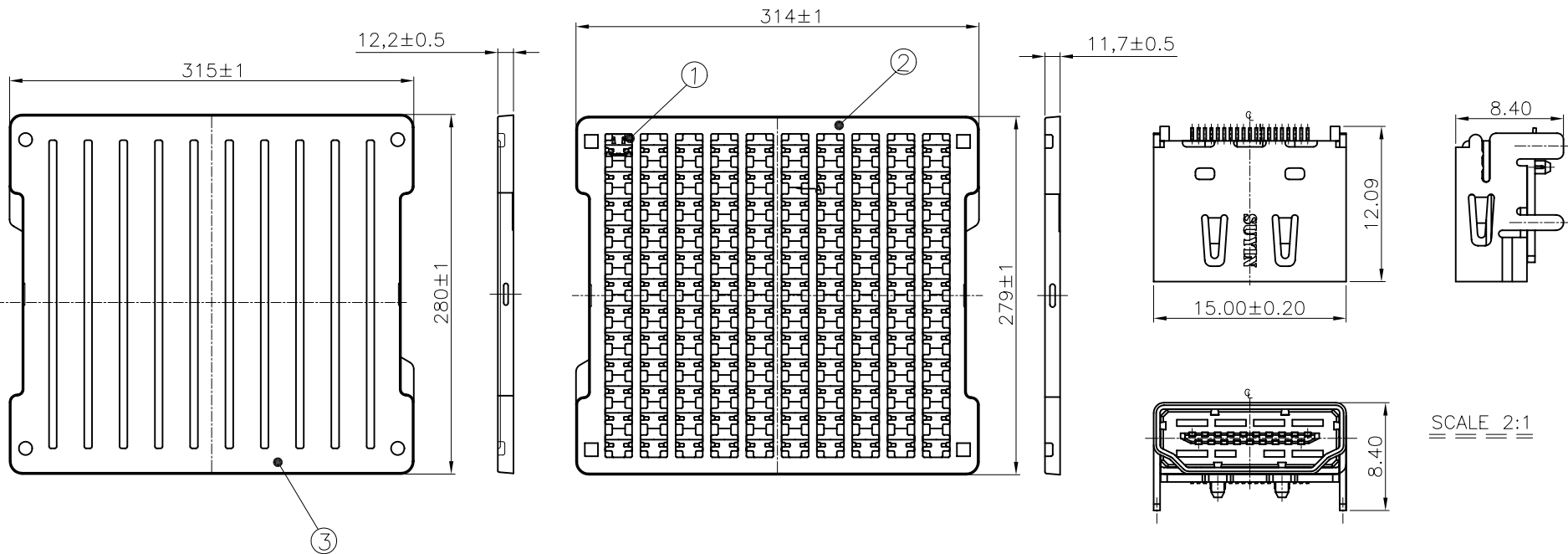
Original: Draw: 李楠 Design: 李楠 Check: 鄭冰雨 Appro: 童俐 發行日期: 06/09/02

070110-BM031





**RoHS Compliant**  
2002/95/EC



SCALE 2:1

1 Package Information

Part Number	Q'ty per tray
100042MB019SX09ZA	120PCS

NOTE:1.ALL dimensions toerance are:  
±0.30mm unless otherwise specified.  
2.X1002071:T=0.70mm,  
X1002072:T=0.50mm.

3	TRAY(TOP)	PVC	TRANS	——
2	TRAY(BOTTOM)	PVC	TRANS	——
1	Product	——	——	100042MB019SX09ZA
NO.	DESCRIPTION	MATERIAL	COLOR	REMARK

**SUYIN**  
CONNECTOR

CUSTOMER COPY	TITLE:	HDMI Receptacle SMT Type Female Connector without Flange		
PART NO.		100042MB019SX09ZA		
PRODUCT SPEC.		100042MX019XXXXZX		
FILE NAME.	DWG	100042MB019SX09ZA-C		
SCALE	1:5	UNIT:mm	A4	SHEET: 3of 3

					Angle	±2°	DRAW	李楠	07'/01/10
					30 ~	±0.50	DESIGN	李楠	07'/01/10
	0	NEW RELEASE	李楠	童俐	10 ~ 30	±0.30	CHECK	鄭冰雨	07'/01/10
	PO09/02/06'	NEW	李楠	童俐	~ 10	±0.15	APPRO.	童俐	07'/01/10
ECN(DCN) NO.	REV	DATE	DESCRIPTION	CHANGE	APPRO.	GENERAL TOLERANCE UNLESS OTHERWISE NOTED	APPRO.		