

PLEASE CHECK WWW.MOLEX.COM FOR LATEST PART INFORMATION

Part Number: [1200660895](#)
Status: **Active**
Overview: [microchange m12 connectors](#)
Description: Micro-Change® (M12) 4 Pole, Female (Straight) to Male (Straight) Cordset, 4-18 AWG TPE Cable, 5.0M (16.40')

Documents:

[Drawing \(PDF\)](#) [RoHS Certificate of Compliance \(PDF\)](#)

Agency Certification

CSA LR6837
 UL E152210

General

Product Family Industrial Cordsets
 Series [120066](#)
 Connector End A Micro-Change® (M12)
 Connector End B Micro-Change® (M12)
 IP Rating IP68
 NEMA Rating NEMA 6
 Overview [microchange m12 connectors](#)
 Product Name Micro-Change® (M12)
 Type Double Ended

Physical

Cable Diameter 7.14mm (.281")
 Cable Length 5.0m (16.40')
 Color - Cable Jacket Yellow
 Coupling Style Threaded
 Gender Female-Male
 Keyway Single
 LED Indicator No
 Material - Cable Jacket TPE
 Material - Connector Body TPE
 Material - Contact Copper
 Material - Coupling Nut Teflon Nickel-plated Brass
 Material - O-Ring Viton
 Material - Plating Mating Gold over Nickel
 Orientation Straight
 Poles 4
 Temperature Range - Operating -20°C to +105°C
 Wire Size AWG 18
 Wire/Cable Type UL 2250

Electrical

Current - Maximum per Contact 4A
 Voltage - Maximum 250V AC/DC

Material Info

Old Part Number 884030K03M050

Reference - Drawing Numbers

Sales Drawing SD-120066-020

EU RoHS

**ELV and RoHS
 Compliant
 REACH SVHC
 Not Reviewed
 Halogen-Free
 Status
 Not Reviewed**

China RoHS



Need more information on product environmental compliance?

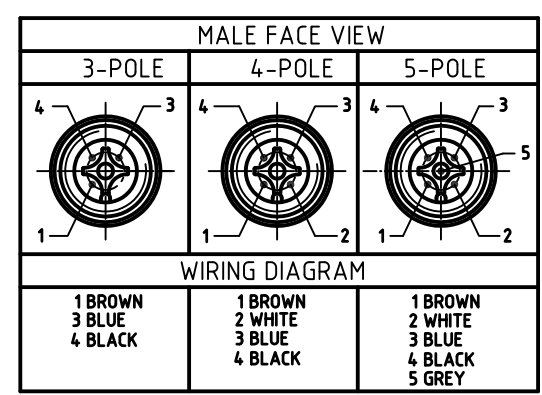
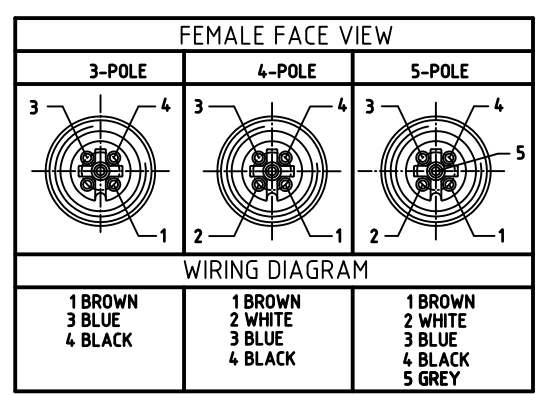
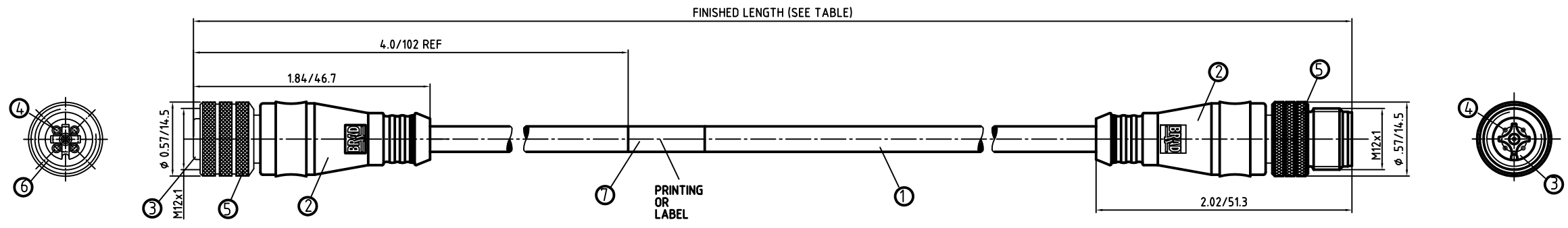
Email productcompliance@molex.com
 For a multiple part number RoHS Certificate of Compliance, [click here](#)

Please visit the [Contact Us](#) section for any non-product compliance questions.

Search Parts in this Series

[120066Series](#)

PLEASE CHECK WWW.MOLEX.COM FOR LATEST PART INFORMATION



CONNECTOR SPECIFICATION:

VOLTAGE RATING	250 VAC/VDC
AMPERAGE RATING	max. 4 AMPS
PROTECTION	IP67
OPERATING TEMPERATURE	-20°C TO 105°C
ASSEMBLY IS RoHS COMPLIANT	

ITEM	COMPONENT	MATERIAL	FINISH
7	LABLE	MYLAR	BLACK/YELLOW
6	O-RING	VITON	RED
5	COUPLER	BRASS	TEFLON/NICKEL
4	SOCKET/PIN CONTACT	COPPER ALLOY	GOLD OVER NICKEL
3	INSERT	PUR	BLACK
2	OVERMOLD	TPE	YELLOW
1	CABLE- #18/3-5 (COPPER STRANDING) 3/4/5 CONDUCT. 300V	JACKET: TPE	JACKET: YELLOW

DESCRIPTION EC NO: WEU2010-0317 DRWN: LSTEMMLE 2010/02/01 CHK'D: NS APPR: FPACHER 2010/02/03	QUALITY SYMBOLS ▽ = 0 ▽/C = 0	GENERAL TOLERANCES (UNLESS SPECIFIED)		DIMENSION STYLE IN/MM		SCALE 1:1	DESIGN UNITS METRIC	THIRD ANGLE PROJECTION	
		4 PLACES	±---	±---	DRAWN BY	DATE	MICRO-CHANGE CORDSET 3/4/5 P. FE STR/ MA STR 18/3-5 YELLOW TPE CABLE		
		3 PLACES	±---	±---	LSTEMMLE	2010/02/01			
		2 PLACES	±---	±.01	CHECKED BY	DATE	MOLEX INCORPORATED		
1 PLACE	±0.3	±---	RE	2010/02/02					
DRAFT WHERE APPLICABLE MUST REMAIN WITHIN DIMENSIONS		ANGULAR ± --- °		APPROVED BY DATE FPACHER 2010/02/03		MATERIAL NO. SD-120066-020		SHEET NO. 1 OF 1	
SIZE A3		THIS DRAWING CONTAINS INFORMATION THAT IS PROPRIETARY TO MOLEX INCORPORATED AND SHOULD NOT BE USED WITHOUT WRITTEN PERMISSION							

10

9

8

7

6

5

4

3

2

1

POL	MATERIAL NUMBER	ENGINEERING NUMBER	FINISHED LENGTH
4	1200660878	884030K03M003	0.3M +44.5 -0 [0.99' +1.75" -0]
4	1200660880	884030K03M006	0.6M +44.5 -0 [1.97' +1.75" -0]
4	1200660881	884030K03M010	1.0M +55.6 -0 [3.27' +2.19" -0]
4	1200660882	884030K03M015	1.5M +55.6 -0 [4.91' +2.19" -0]
4	1200660883	884030K03M020	2.0M +88.9 -0 [6.56' +3.50" -0]
4	1200660887	884030K03M030	3.0M +88.9 -0 [9.84' +3.50" -0]
4	1200660891	884030K03M040	4.0M +165.1 -0 [13.12' +6.50" -0]
4	1200660895	884030K03M050	5.0M +165.1 -0 [16.40' +6.50" -0]
4	1200660898	884030K03M060	6.0M +165.1 -0 [19.69' +6.50" -0]
4	1200660899	884030K03M070	7.0M +165.1 -0 [22.96' +6.50" -0]
4	1200660900	884030K03M080	8.0M +317.5 -0 [26.25' +12.50' -0]
4	1200660901	884030K03M090	9.0M +317.5 -0 [29.43' +12.50' -0]
4	1200660902	884030K03M100	10.0M +317.5 -0 [32.81' +12.50' -0]
4	1200660903	884030K03M110	11.0M +317.5 -0 [36.08' +12.50' -0]
4	1200660904	884030K03M120	12.0M +317.5 -0 [39.37' +12.50' -0]
4	1200660905	884030K03M140	14.0M +317.5 -0 [45.91' +12.50' -0]
4	1200660906	884030K03M150	15.0M +622.3 -0 [49.21' +24.50" -0]
4	1200660907	884030K03M160	16.0M +622.3 -0 [52.48' +24.50" -0]
4	1200660908	884030K03M170	17.0M +622.3 -0 [55.75' +24.50" -0]
4	1200660909	884030K03M200	20.0M +622.3 -0 [65.62' +24.50" -0]
4	1200660885	884030K03M250	25.0M +622.3 -0 [82.02' +24.50" -0]
4	1200660886	884030K03M270	27.0M +622.3 -0 [88.56' +24.50" -0]
4	1200660888	884030K03M320	32.0M +622.3 -0 [104.97' +24.50" -0]
4	1200660889	884030K03M350	35.0M +622.3 -0 [114.83' +24.50" -0]
4	1200660890	884030K03M370	37.0M +622.3 -0 [121.37' +24.50" -0]
4	1200660893	884030K03M430	43.0M +622.3 -0 [141.06' +24.50" -0]
4	1200660894	884030K03M450	45.0M +622.3 -0 [147.60' +24.50" -0]
4	1200660896	884030K03M550	55.0M +622.3 -0 [180.41' +24.50" -0]
4	1200660897	884030K03M580	58.0M +622.3 -0 [190.22' +24.50" -0]

POL	MATERIAL NUMBER	ENGINEERING NUMBER	FINISHED LENGTH
5	1200661033	885030K03M006	.6M +44.5 -0 [1.97' +1.75" -0]
5	1200661034	885030K03M010	1.0M +55.6 -0 [3.27' +2.19" -0]
5	1200661035	885030K03M020	2.0M +88.9 -0 [6.56' +3.50" -0]
5	1200661036	885030K03M030	3.0M +88.9 -0 [9.84' +3.50" -0]
5	1200661037	885030K03M040	4.0M +165.1 -0 [13.12' +6.50" -0]
5	1200661038	885030K03M050	5.0M +165.1 -0 [16.40' +6.50" -0]
5	1200661039	885030K03M060	6.0M +165.1 -0 [19.69' +6.50" -0]
5	1200661040	885030K03M070	7.0M +165.1 -0 [22.96' +6.50" -0]
5	1200661041	885030K03M080	8.0M +317.5 -0 [26.25' +12.50' -0]
5	1200661042	885030K03M090	9.0M +317.5 -0 [29.43' +12.50' -0]
5	1200661043	885030K03M100	10.0M +317.5 -0 [32.81' +12.50' -0]
5	1200661044	885030K03M150	15.0M +622.3 -0 [49.21' +24.50" -0]

DESCRIPTION EC NO: WEU2010-0317 DRWN: LSTEMMLE 2010/02/01 CHKD: NS APPR: FPACHER 2010/02/03 REV 1	QUALITY SYMBOLS	GENERAL TOLERANCES (UNLESS SPECIFIED)		DIMENSION STYLE		SCALE	DESIGN UNITS	THIRD ANGLE PROJECTION
		mm	INCH	IN/MM		1:1	METRIC	
		4 PLACES ±---	±---	DRAWN BY DATE				
		3 PLACES ±---	±---	LSTEMMLE 2010/02/01				
2 PLACES ±---	±.01	CHECKED BY DATE		MICRO-CHANGE CORDSET 3/4/5 P. FE STR/ MA STR 18/3-5 YELLOW TPE CABLE				
1 PLACE ±0.3	±---	APPROVED BY DATE		MOLEX MOLEX INCORPORATED				
ANGULAR ± --- °		FPACHER 2010/02/03		SEE TABLE		DOCUMENT NO. SD-120066-020		SHEET NO. 1 OF 1
DRAFT WHERE APPLICABLE MUST REMAIN WITHIN DIMENSIONS		SIZE A3		THIS DRAWING CONTAINS INFORMATION THAT IS PROPRIETARY TO MOLEX INCORPORATED AND SHOULD NOT BE USED WITHOUT WRITTEN PERMISSION				

10

9

8

7

6

5

4

3

2

1