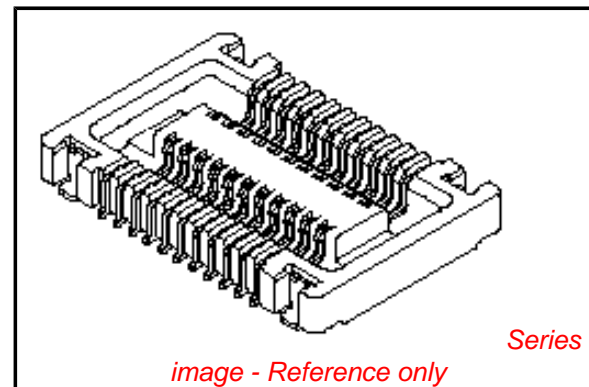


PLEASE CHECK WWW.MOLEX.COM FOR LATEST PART INFORMATION

Part Number: [5000246471](#)
Status: **Active**
Description: 0.40mm (.016") Pitch Board-to-Board SlimStack™ Receptacle, Surface Mount, Dual Row, Vertical, 0.95mm (.037") Mated Height, without Friction Lock, 64 Circuits, Lead-free

Documents:

[3D Model](#) [Product Specification PS-500024-011 \(PDF\)](#)
[Drawing \(PDF\)](#) [RoHS Certificate of Compliance \(PDF\)](#)
[Product Specification PS-500024-008 \(PDF\)](#)



General

Product Family	PCB Receptacles
Series	500024
Application	Board-to-Board
Comments	Solder Tab Plating: Lead-Free, Tin
Product Name	SlimStack™

Physical

Circuits (Loaded)	64
Color - Resin	Natural
Durability (mating cycles max)	10
Glow-Wire Compliant	No
Lock to Mating Part	None
Mated Height (in)	0.037 In
Mated Height (mm)	0.95 mm
Material - Metal	Phosphor Bronze
Material - Plating Mating	Gold
Material - Plating Termination	Gold
Material - Resin	High Temperature Thermoplastic
Number of Rows	2
Orientation	Vertical
PCB Locator	No
PCB Retention	Yes
Packaging Type	Embossed Tape on Reel
Pitch - Mating Interface (in)	0.016 In
Pitch - Mating Interface (mm)	0.40 mm
Plating min: Mating (µin)	4
Plating min: Mating (µm)	0.1
Plating min: Termination (µin)	2
Plating min: Termination (µm)	0.05
Polarized to PCB	No
Surface Mount Compatible (SMC)	N/A
Temperature Range - Operating	-25°C to +85°C
Termination Interface: Style	Surface Mount

Electrical

Current - Maximum per Contact	0.1A
Voltage - Maximum	50V

Material Info

Reference - Drawing Numbers

Product Specification PS-500024-008, PS-500024-011, RPS-500024-019, RPS-500024-020, RPS-500024-023, RPS-500024-025, RPS-500024-026, RPS-500024-030, RPS-500024-031,

EU RoHS

ELV and RoHS Compliant
REACH SVHC
 Not Reviewed
Halogen-Free Status

China RoHS



Not Reviewed

Need more information on product environmental compliance?

Email productcompliance@molex.com
 For a multiple part number RoHS Certificate of Compliance, [click here](#)

Please visit the [Contact Us](#) section for any non-product compliance questions.

Search Parts in this Series

[500024Series](#)

Mates With

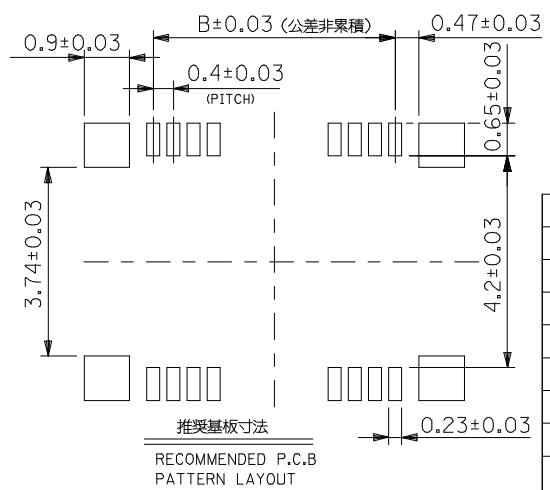
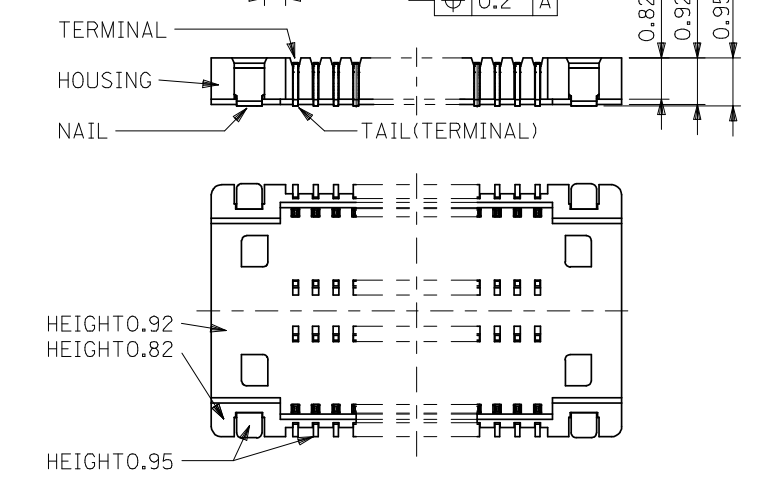
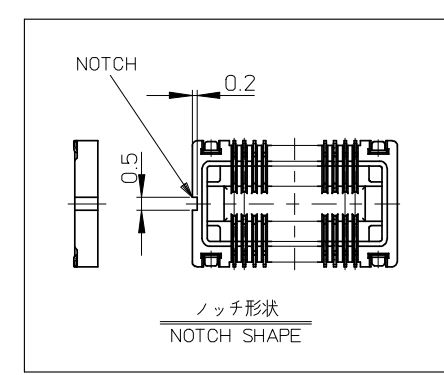
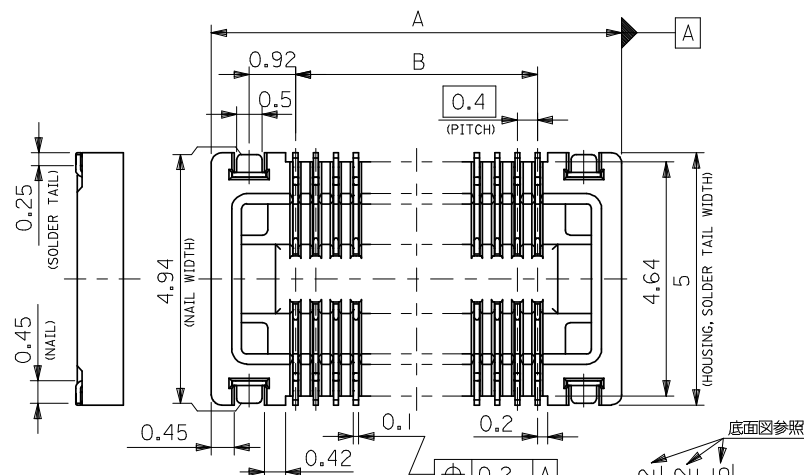
[5000276442](#)

Sales Drawing

RPS-500024-034, RPS-500024-038, RPS-500024-039,
RPS-500024-040, RPS-500024-041
SD-500024-018, SD-500024-019

This document was generated on 04/20/2010

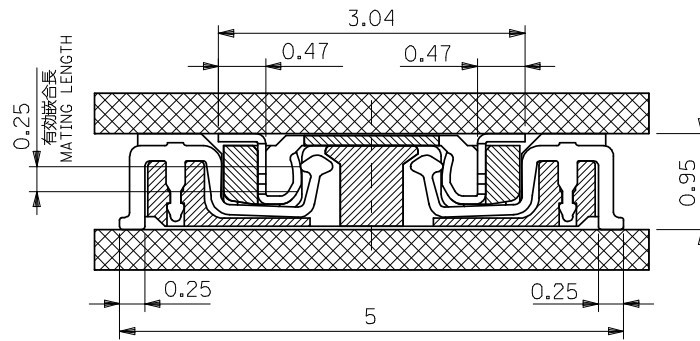
PLEASE CHECK WWW.MOLEX.COM FOR LATEST PART INFORMATION



- 注記 NOTES
- 材質 MATERIAL
ハウジング : 液晶ポリマー-UL94V-0
HOUSING : LIQUID CRYSTAL POLYMER [LCP] UL94V-0
ターミナル : 銅合金
TERMINAL : COPPER ALLOY
ネール : 銅合金
NAIL : COPPER ALLOY
 - メッキ仕様 PLATING
接点部 : 金メッキ 0.1μm
CONTACT AREA : GOLD PLATING 0.1μm
半田付け部 : 金メッキ 0.1μm
SOLDER TAIL AREA : GOLD PLATING 0.1μm
下地メッキ : ニッケルメッキ 1.0μm
UNDER PLATING : NICKEL PLATING 1.0μm
ネール : 錫メッキ 1.0μm
NAIL : TIN PLATING 1.0μm
下地メッキ : ニッケルメッキ 0.5μm
UNDER PLATING : NICKEL PLATING 0.5μm
 - テール及びネールの平坦度は 0.1 以下
TAIL AND NAIL COPLANARITY : 0.1 MAX.
 - 嵌合相手 : 500027 シリウス
MATE WITH : 500027 SERIES
 - 本製品は 500024-***9 の鉛フリー品である。
THIS PRODUCT IS LEAD FREE OF 50024-***9

18.94	15.6	500024-8071	500024-8008	—#—	80
16.94	13.6	500024-7071	500024-7008	—#—	70
15.74	12.4	500024-6471	500024-6408	—#—	64
14.94	11.6	500024-6071	500024-6008	—#—	60
12.94	9.6	500024-5071	500024-5008	—#—	50
10.94	7.6	500024-4071	500024-4008	○	40
9.74	6.4	500024-3471	500024-3408	—#—	34
8.94	5.6	500024-3071	500024-3008	—#—	30
A	B	EMBOSSED TAPE PKG. ORDER No. オダー番号	MATERIAL No.	NOTCH	CIRCUIT

REVISED EC NO: J2009-0301 DRWN: MABEI 2008/08/27 CHKD: THARUYAMA 2008/08/28 APPR: NUKITA 2008/08/28	GENERAL TOLERANCES (UNLESS SPECIFIED)		DIMENSION STYLE MM ONLY	SCALE ---	DESIGN UNITS METRIC	500024-***8	MODEL NO.
	10 UNDER	±0.2	DRAWN BY H. SHIMABUKUR	DATE '04/02/18	TITLE 0.4MM PITCH B/B CONN H=0.95 REC HSG ASSY -LEAD FREE-	MOLEX INCORPORATED	SHEET NO. 1 OF 2
	10 OVER 30 UNDER	±0.25	CHECKED BY K. TOJO	DATE '04/02/18	SEE TABLE		
	30 OVER	±0.3	APPROVED BY M. SASAO	DATE '04/02/18		DOCUMENT NO. SD-500024-018	
REV	DESCRIPTION	ANGULAR ±3 ° DRAFT WHERE APPLICABLE MUST REMAIN WITHIN DIMENSIONS	SIZE A3	THIS DRAWING CONTAINS INFORMATION THAT IS PROPRIETARY TO MOLEX INCORPORATED AND SHOULD NOT BE USED WITHOUT WRITTEN PERMISSION			

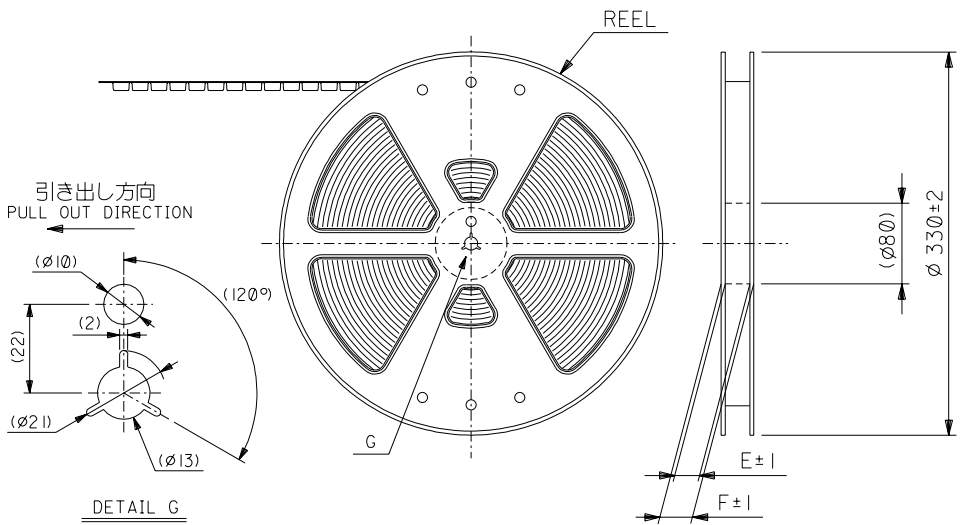


嵌合断面図 (参考)
MATED DRAWING

500024-***8 MODEL NO.

REVISED EC NO: J2009-0301 DRWN: MWABEI 2008/08/27 CHKD: THARUYAMA 2008/08/28 APPR: NUKITA 2008/08/28	GENERAL TOLERANCES (UNLESS SPECIFIED)		DIMENSION STYLE MM ONLY	SCALE ---	DESIGN UNITS METRIC	THIRD ANGLE PROJECTION
	10 UNDER	±0.2	DRAWN BY H. SHIMABUKUR	DATE '04/02/18	TITLE 0.4MM PITCH B/B CONN H=0.95 REC HSG ASSY -LEAD FREE-	
	10 OVER 30 UNDER	±0.25	CHECKED BY K. TOJO	DATE '04/02/18	MOLEX INCORPORATED	
	30 OVER	±0.3	APPROVED BY M. SASAO	DATE '04/02/18		
DESCRIPTION	ANGULAR ±3 °	DRAFT WHERE APPLICABLE MUST REMAIN WITHIN DIMENSIONS	MATERIAL NO. SEE SHEET 1	DOCUMENT NO. SD-500024-018	SHEET NO. 2 OF 2	
REV			SIZE A3	THIS DRAWING CONTAINS INFORMATION THAT IS PROPRIETARY TO MOLEX INCORPORATED AND SHOULD NOT BE USED WITHOUT WRITTEN PERMISSION		

DWG. NO. SD-500024-019

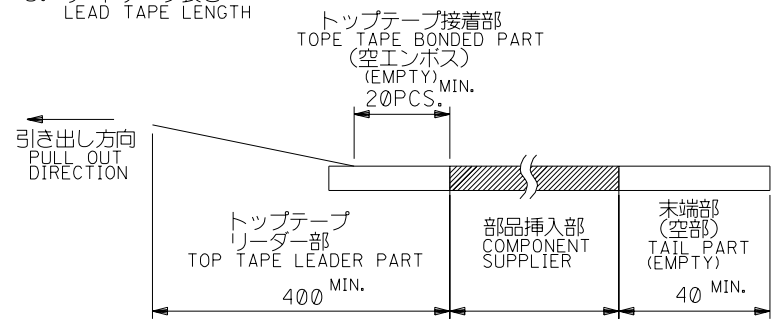


引き出し方向
PULL OUT DIRECTION

DETAIL G

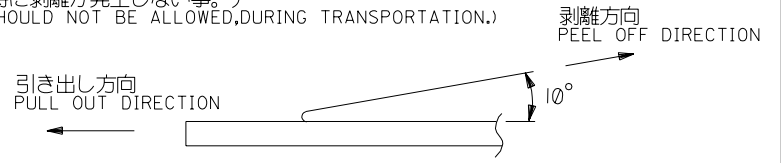
注)
NOTES

- 製品番号500024-***8 詳細寸法については、製品単体図面を参照下さい。
IN THE PACKAGE PART NUMBER 500024-***8 DETAILED DIMENSIONS, SEE SALES DRAWING FOR CONNECTOR.
- 梱包数量：2000個/リール
NUMBER OF CONNECTORS：2000 PCS/REEL.
- リードテープ長さ
LEAD TAPE LENGTH



- トップテープの剥離強度：(剥離方向は下図参照)
PEELING OFF FORCE OF TOP TAPE (PELLING DIRECTION AS SHOWN IN FOLLOWING FIGURE.)
0. 1~1. 3N {10~130gf}

尚、本規格値は、出荷時に適用。
THIS REQUIREMENT SHOULD BE APPLIED AT SHIPMENT.
(但し、輸送時に剥離が発生しない事。)
(PEEL OFF SHOULD NOT BE ALLOWED, DURING TRANSPORTATION.)

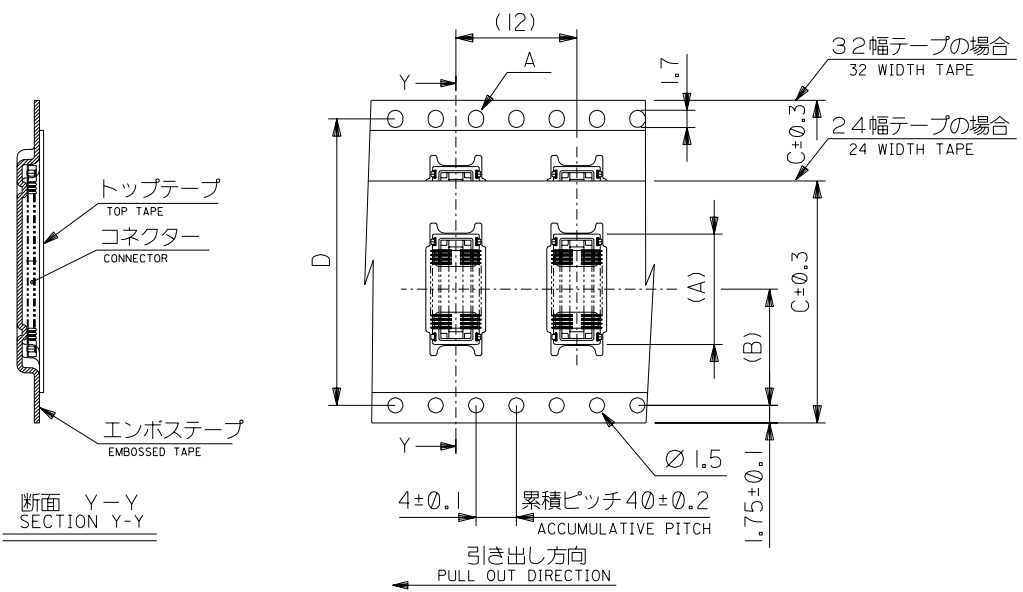


- 材料
MATERIAL
キャリアテープ：ポリプロピレン (PP)
CARRIER TAPE: POLYPROPYLENE (PP)
トップテープ：PET, PE, PEF
TOP TAPE: PET, PE, PEF
リール：ポリスチレン
REEL: POLYSTYRENE
- 本製品は 500024-***01 の鉛フリー品である。
THIS PRODUCT IS LEAD FREE OF 500024-***01

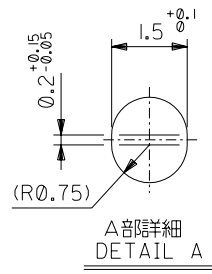
DO NOT SCALE DRAWING

EC NO. DRWN: CHK: APPR:		EC NO. DRWN: CHK: APPR:		EC NO. DRWN: CHK: APPR:		EC NO. DRWN: CHK: APPR:		EC NO. DRWN: CHK: APPR:		500024-***71 MODEL NO. DIMENSIONS: <input type="checkbox"/> mm <input type="checkbox"/> INCH <input checked="" type="checkbox"/> mm ONLY SHT REV REVISION ON CAD ONLY			
EC NO. J2004-2492 04/02/18 DRWN: H. SHIMABUKURO CHK: K. TOJO APPR: MSASAO		RELEASED EC NO. J2004-2492 04/02/18 DRWN: H. SHIMABUKURO CHK: K. TOJO APPR: MSASAO		MATERIAL 材料 注記参照 SEE NOTES		GENERAL TOLERANCES: (UNLESS SPECIFIED) 一般公差		SCALE NONE		DESIGN UNITS <input checked="" type="checkbox"/> mm <input type="checkbox"/> INCH		THIRD ANGLE PROJECTION	
WIRE RANGE 適用電線範囲		FINISH 仕上げ		INS. RANGE 被覆外径		10 UNDER 未満 ±0.2 10 OVER 30 UNDER 未満 ±0.25 30 OVER 以上 ±0.3		DRAWN BY & DATE H. SHIMABUKURO 04/2/18		CHECKED BY & DATE K. TOJO 04/2/18		TITLE: 500024-***8 -LEAD FREE-TAPING PACKAGE	
WIRE RANGE 適用電線範囲		FINISH 仕上げ		INS. RANGE 被覆外径		ANGLE 角度 ±3°		APPROVED BY & DATE M. Saito 04/2/18		MOLEX MOLEX INCORPORATED		CAD FILENAME SD-500024-019.S01	
								MATERIAL NO. SEE CHART		DRAWING NO. SD-500024-019		SHEET NO. 1 OF 2	
THIS DRAWING CONTAINS INFORMATION THAT IS PROPRIETARY TO MOLEX INCORPORATED AND SHOULD NOT BE USED WITHOUT WRITTEN PERMISSION.												SIZE B	

SD-500024-019.S01



断面 Y-Y
SECTION Y-Y



A部詳細
DETAIL A

18.94	14.2	32	28.4	33.4	37.4	500024-8008	500024-8071	80
16.94	14.2		28.4			500024-7008	500024-7071	70
15.74	14.2		28.4			500024-6408	500024-6471	64
14.94	14.2		28.4			500024-6008	500024-6071	60
12.94	11.5	24	—#—	25.4	29.4	500024-5008	500024-5071	50
10.94	11.5		—#—			500024-4008	500024-4071	40
9.74	11.5		—#—			500024-3408	500024-3471	34
8.94	11.5		—#—			500024-3008	500024-3071	30
(A)	(B)	C	D	E	F	CONNECTOR	MATERIAL No.	CIRCUIT

DO NOT SCALE DRAWING

EC NO. DRWN: CHK: APPR:	EC NO. DRWN: CHK: APPR:	EC NO. DRWN: CHK: APPR:	EC NO. DRWN: CHK: APPR:	EC NO. DRWN: CHK: APPR:	EC NO. DRWN: CHK: APPR:	DESCRIPTION SEE SHEET 1 OF 2	MATERIAL 材料 注記参照 SEE NOTES	GENERAL TOLERANCES: (UNLESS SPECIFIED) 一般公差	SCALE NONE	DESIGN UNITS <input checked="" type="checkbox"/> mm <input type="checkbox"/> INCH	THIRD ANGLE PROJECTION	DIMENSIONS: <input type="checkbox"/> mm <input type="checkbox"/> INCH <input checked="" type="checkbox"/> mm ONLY	SHT REV
						FINISH 仕上げ 注記参照 SEE NOTES	10 UNDER 未滿	±0.2	DRAWN BY & DATE H.SHIMABUKURO 04/2/17	TITLE: 500024-***8 -LEAD FREE- TAPING PACKAGE			
						WIRE RANGE 適用電線範囲	10 OVER 30 UNDER 未滿	±0.25	CHECKED BY & DATE K.TOJO 04/2/17	MOLEX MOLEX INCORPORATED			
					Ø	INS. RANGE 被覆外径	30 OVER 以上	±0.3	APPROVED BY & DATE M. Saito 04/2/17	CAD FILENAME SD-500024-019.S02	MATERIAL NO. SEE CHART	DRAWING NO. SD-500024-019	SHEET NO. 2
THIS DRAWING CONTAINS INFORMATION THAT IS PROPRIETARY TO MOLEX INCORPORATED AND SHOULD NOT BE USED WITHOUT WRITTEN PERMISSION.											SIZE B		