

IEC Connector C15, Rewireable, Straight

new



C15  
  
 120° C

**Description**

- Connector:  
Screwing cable terminal, Pin temperature 120 °C, Protection class I, Cable
- Note: Please order pvc strain relief separately, mating strain reliefs please find under accessories.

**Approvals**

- VDE License Number: 40008187
- CSA License Number: 1612079

**References**

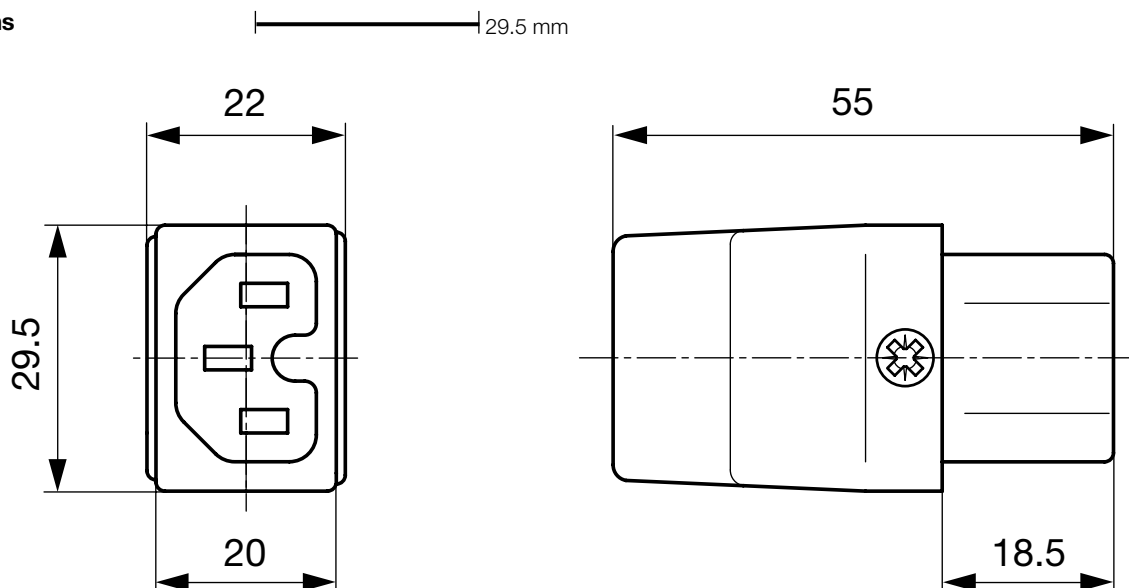
[General Product Information](#)

**Weblinks**

[Approvals](#), [RoHS](#), [CHINA-RoHS](#), [Mating Connectors](#), [e-Store](#), [Distributor-Stock-Check](#), [Accessories](#)

**Technical Data**

Ratings IEC	10 A / 250VAC; 50Hz	Connector	C15 acc. to IEC/EN 60320-2-2
Ratings UL/CSA	15 A / 250VAC; 60Hz		UL 498, CSA C22.2 no. 42 (For hot conditions) pin-temperature 120 °C, 10A, Protection Class 1
Dielectric Strength	> 3 kVAC between L-N > 1.5 kVAC between L/N-PE (1 min/50Hz)		
Allowable Operation Temp.	-25 °C to 120 °C		
Degree of Protection	from front side IP 20 acc. to IEC 60529		
Protection Class	Suitable for appliances with protection class 1 acc. to IEC 61140		
Terminal	Screw Clamp		
Material: Housing	UL 94V-0		

**Dimensions**

## Config. Code

Product Configurator

8101 - H - A B C 0 - D - E J

The characters are placeholders for the correspondingly keys of selections from the key tables.

## 8101 - H - A B C 0 - D - E J = Type

Type	Configuration key
protection class 1	X

## 8101 - H - A B C 0 - D - E J = Terminals

Terminal L	Configuration key
screw terminal	A

## 8101 - H - A B C 0 - D - E J = Terminals

Terminal N	Configuration key
screw terminal	A

Symbols similar as in table A

## 8101 - H - A B C 0 - D - E J = Terminals

Terminal Ground	Configuration key
screw terminal	A

Symbols similar as in table A

## 8101 - H - A B C 0 - D - E J = Color

Color	Configuration key
jet black; RAL9005	A
silver grey; RAL7001	B
pure white; RAL9010	D
standard color: black	

## 8101 - H - A B C 0 - D - E J = Style

Style	Configuration key
for cord assembly	8

## 8101 - H - A B C 0 - D - E J = Condition

Condition	Configuration key
assembled	1
disassembled	2

## Variants

Config. Code	Description	Order Number
8101-X-AAA0-A-81	8101, IEC Connector, C15, 120°C, version: 1, L: screw terminal, N: screw terminal, ground: screw terminal, color: jet black; RAL9005, design: for cord assembly, condition:assembled	4310.0029
8101-X-AAA0-B-81	8101, IEC Connector, C15, 120°C, version: 1, L: screw terminal, N: screw terminal, ground: screw terminal, color: silver grey; RAL7001, design: for cord assembly, condition:assembled	4310.0030

The listed variants should be available from stock Other versions on request [www.schurter.com/contact](http://www.schurter.com/contact)

Packaging unit 50 Pcs

## Accessories

## Description

HN 14.110  
PVC Strain ReliefHN 14.45  
PVC Strain Relief



HN 14.46  
PVC Strain Relief

## Mating Inlets/Plugs

### Category / Description

#### Appliance Inlet Overview complete



IEC Appliance Inlet C16, Screw-on Mounting, Front Side, Quick-connect or Screw-on Terminal	0161
IEC Appliance Inlet C16, Screw-on Mounting, Front Side, Quick-connect or Screw-on Terminal	0161-Y
IEC Appliance Inlet C16, Screw-on Mounting, Front or Rear Side, Quick-connect or Screw-on Terminal	0163
IEC Appliance Inlet C16, Screw-on Mounting, Front Side, Screw-on Terminal	0164
IEC Appliance Inlet C16, Snap-in Mounting, Front Side, Quick-connect Terminal	0165

[Appliance Inlet further types to 8101](#)

...



#### Distribution Unit Overview complete

Distribution Unit for Snap-in Mounting with 1 IEC Appliance Inlet C14 and 1 Appliance Outlet F	0712
Distribution Unit with 1 IEC Appliance Inlet C14 or Power Cord, 4 IEC Appliance Outlets F and Extra Components	4740
Distribution Unit with 1 IEC Appliance Inlet C14 and 2 Appliance Outlets F, Shuttered	4741
Distribution Unit with 1 IEC Appliance Inlet C14 and 4 Appliance Outlets F	4747

[Distribution Unit further types to 8101](#)



#### Interconnection Cord Overview complete

Interconnection Cord with IEC Plug E, Angled	0607
Interconnection Cord with IEC Plug E, Angled	0608
Interconnection Cord with IEC Plug E, Straight	0609
Interconnection Cord with IEC Plug G, Angled	607B
Interconnection Cord with IEC Plug G, Angled	608B

[Interconnection Cord further types to 8101](#)

...



#### Plug Overview complete

IEC Plug E, Cord Connector (Rewireable), Straight, max. cable Diameter 8.5 mm	4732
IEC Plug E, Cord Connector (Rewireable), Angled, max. Cable Diameter 10 mm	4733
IEC Plug E, Cord Connector (Rewireable), Straight, max. Cable Diameter 10 mm	4735
IEC Plug E, Cord Connector (Rewireable), Angled, max. Cable Diameter 10 mm	4736
IEC Plug E, Cord Connector (Rewireable), Straight	9009

[Plug further types to 8101](#)

...



#### Power Entry Module Overview complete

IEC Appliance Inlet C14 or C18 with Fuseholder 1-pole	1062
IEC Appliance Inlet C14 or C18 with Fuseholder 1- or 2-pole	1064
IEC Appliance Inlet C18 with Fuseholder 1-pole	1065
IEC Appliance Inlet C18 with Fuseholder 1- or 2-pole	1066
IEC Appliance Inlet C14 with Fuseholder 1- or 2-pole	1092

[Power Entry Module further types to 8101](#)

...



#### Power Entry Module with line filter Overview complete

IEC Appliance Inlet C14 with Filter	5110
IEC Appliance Inlet C14 with Filter, Circuit Breaker TA45	5145
IEC Appliance Inlet C14 with Filter, Fuseholder 1-pole	5200
IEC Appliance Inlet C14 with Filter, Fuseholder 1- or 2-pole	5220
IEC Appliance Inlet C14 with Filter, Fuseholder 2-pole	8843-8

[Power Entry Module with line filter further types to 8101](#)

...