

PLEASE CHECK WWW.MOLEX.COM FOR LATEST PART INFORMATION

Part Number: [0355631615](#)
Status: **Active**
Description: 1.02mm (.040") Tab Wire-to-Board Housing, Female, 16 Circuits

Documents:

[3D Model](#) [Product Specification PS-104000-001 \(PDF\)](#)
[Drawing \(PDF\)](#) [RoHS Certificate of Compliance \(PDF\)](#)

General

Product Family Crimp Housings
 Series [35563](#)
 Product Name N/A

Physical

Circuits (maximum) 16
 Color - Resin Gray, Natural
 Gender Female
 Glow-Wire Compliant No
 Keying to Mating Part None
 Lock to Mating Part No
 Material - Resin Polyester
 Number of Rows 2
 Packaging Type Bag
 Panel Mount No
 Pitch - Mating Interface (in) 0.098 In
 Pitch - Mating Interface (mm) 2.50 mm
 Stackable No
 Temperature Range - Operating -30°C to +85°C

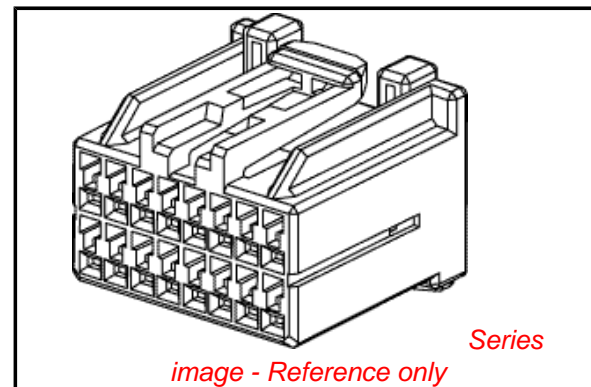
Electrical

Current - Maximum per Contact 10A

Material Info

Reference - Drawing Numbers

Product Specification PS-104000-001
 Sales Drawing SD-35563-001



EU RoHS

**ELV and RoHS
Compliant**
REACH SVHC
 Not Reviewed
**Halogen-Free
Status**

China RoHS



**Need more information on product
environmental compliance?**

Email productcompliance@molex.com
 For a multiple part number RoHS Certificate of Compliance, [click here](#)

Please visit the [Contact Us](#) section for any non-product compliance questions.

Search Parts in this Series

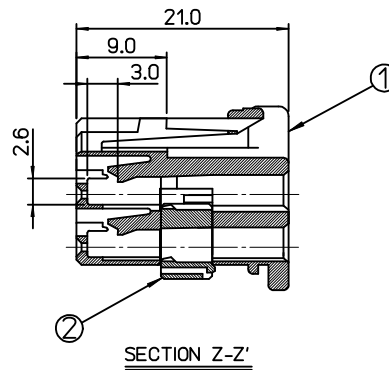
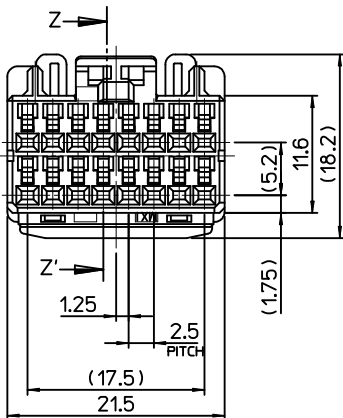
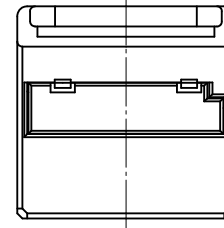
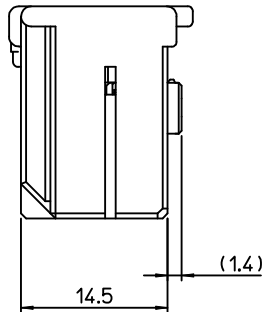
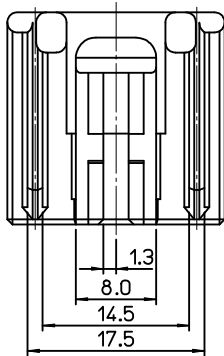
[35563Series](#)

Mates With

[68145](#)

Use With

Tab-Type Female Crimp Terminal [50654](#)



NOTES

1. MATERIAL : SEE PART LIST
2. APPLICABLE HEADER : 68145-1615(VERTICAL)
68145-1625,68145-1626(RIGHT ANGLE)
3. APPLICABLE TERMINAL :

PART NO.	WIRE RANGE		MATERIAL	REMARK
	mm ²	AWG		
50654-1001	0.3-0.85	22-18	COPPER ALLOY	TIN-PLATED

<TABLE 1>

MATERIAL NO.	ORDER NO.	COLOR
355631610	35563-1610	NATURAL
355631615	35563-1615	GRAY

<PART LIST>

NO.	PART NAME	MATERIAL	REMARK
①	REC. HOUSING	POLYESTER(PBT)	NATURAL,GRAY
②	TPA	POLYESTER(PBT)	NATURAL

REVISED
EC NO: KOR2009-0157
DRW: EOKIM 2009/05/28
CHKD: BGYOON 2009/05/28
APPR: YUNSIKKIM 2009/05/28

QUALITY SYMBOLS
▽=0
▽=0

GENERAL TOLERANCES (UNLESS SPECIFIED)

	mm	INCH
4 PLACES	±	±
3 PLACES	±	±
2 PLACES	±0.15	±
1 PLACE	±0.25	±
ANGULAR ± 1°		

DRAFT WHERE APPLICABLE MUST REMAIN WITHIN DIMENSIONS

DIMENSION STYLE
MM ONLY

DRAWN BY	DATE
YSIKKIM	1999/06/02
CHECKED BY	DATE
BKCHOI	1999/06/03
APPROVED BY	DATE
CWLEE	1999/06/03

SCALE
2:1

TITLE
040 WIRE-TO-BOARD CONN. FEMALE HOUSING ASS'Y 16P

DESIGN UNITS
METRIC

THIRD ANGLE PROJECTION

MATERIAL NO. SEE TABLE 1

DOCUMENT NO. SD-35563-001

SHEET NO. 1 OF 1

SIZE
A3

THIS DRAWING CONTAINS INFORMATION THAT IS PROPRIETARY TO MOLEX INCORPORATED AND SHOULD NOT BE USED WITHOUT WRITTEN PERMISSION