

**PLEASE CHECK WWW.MOLEX.COM FOR LATEST PART INFORMATION**

**Part Number:** **0545528016**  
**Status:** **Active**  
**Description:** 0.40mm (.016") Pitch Board-to-Board SlimStack™ Receptacle, SMT, Dual Row, without Plastic Pegs, Right Angle, 80 Circuits

**Documents:**

[3D Model](#) [Product Specification PS-54552-024 \(PDF\)](#)  
[Drawing \(PDF\)](#) [RoHS Certificate of Compliance \(PDF\)](#)

**General**

Product Family PCB Receptacles  
 Series [54552](#)  
 Application Board-to-Board  
 Product Name SlimStack™

**Physical**

Circuits (Loaded) 80  
 Color - Resin Brown  
 Durability (mating cycles max) 30  
 Glow-Wire Compliant No  
 Mated Height (in) 0.167 In  
 Mated Height (mm) 4.25 mm  
 Material - Metal Phosphor Bronze  
 Material - Plating Mating Gold  
 Material - Plating Termination Tin  
 Number of Rows 2  
 Orientation Right Angle  
 PCB Locator No  
 PCB Retention None  
 Packaging Type Embossed Tape on Reel  
 Pitch - Mating Interface (in) 0.016 In  
 Pitch - Mating Interface (mm) 0.40 mm  
 Polarized to PCB No  
 Temperature Range - Operating -40°C to +85°C  
 Termination Interface: Style Surface Mount

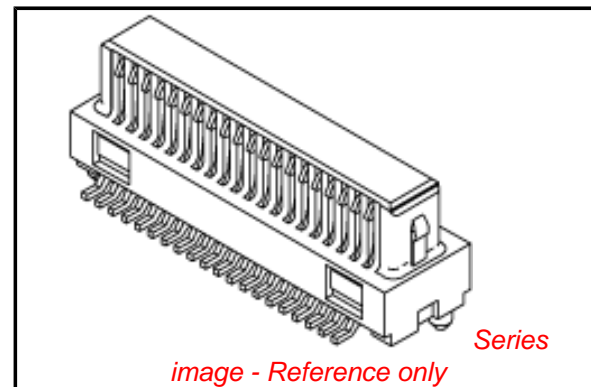
**Electrical**

Current - Maximum per Contact 0.3A  
 Voltage - Maximum 30V AC (RMS)/DC

**Material Info**

**Reference - Drawing Numbers**

Product Specification PS-54552-024  
 Sales Drawing SD-54552-025, SD-54552-026



**EU RoHS**

**ELV and RoHS  
Compliant**  
**REACH SVHC**  
 Not Reviewed  
**Halogen-Free  
Status**

**China RoHS**



**Need more information on product  
environmental compliance?**

Email [productcompliance@molex.com](mailto:productcompliance@molex.com)  
 For a multiple part number RoHS Certificate of Compliance, [click here](#)

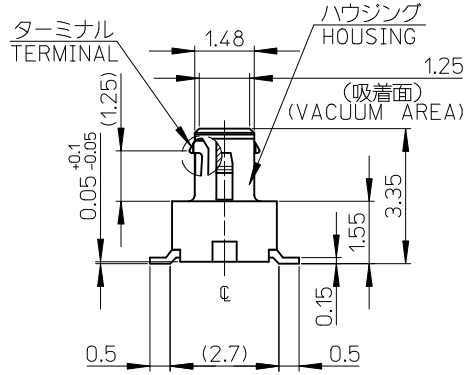
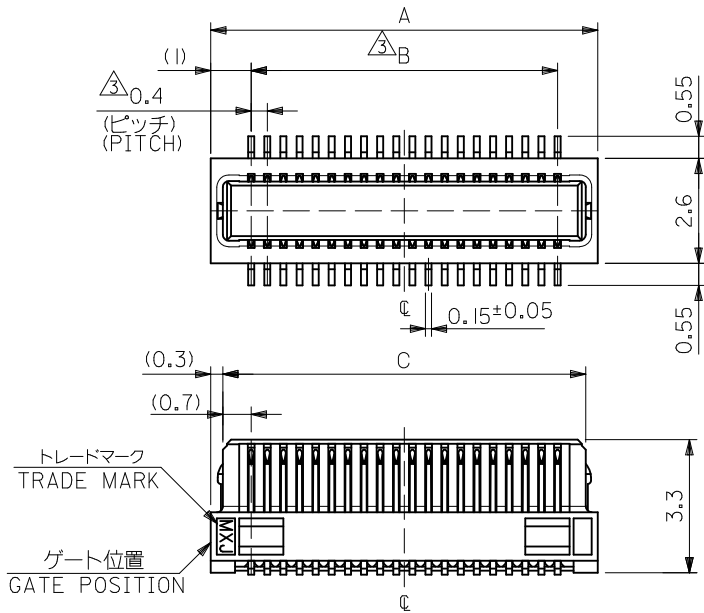
Please visit the [Contact Us](#) section for any non-product compliance questions.

**Search Parts in this Series**

[54552Series](#)

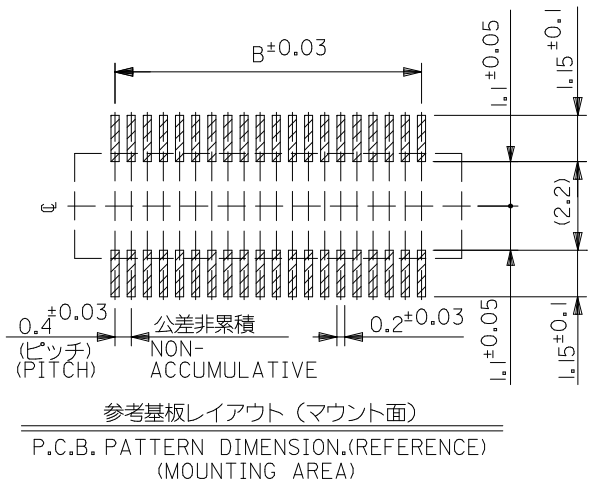
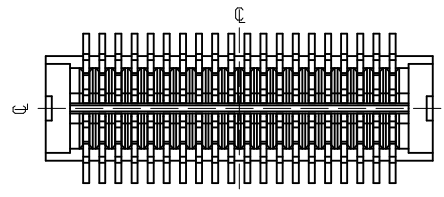
**Mates With**

[55394 PCB Header](#)



注記 NOTES

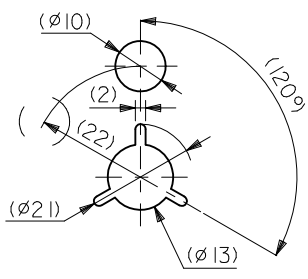
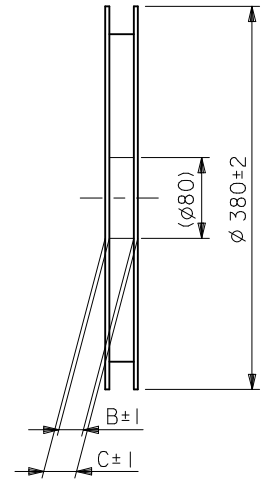
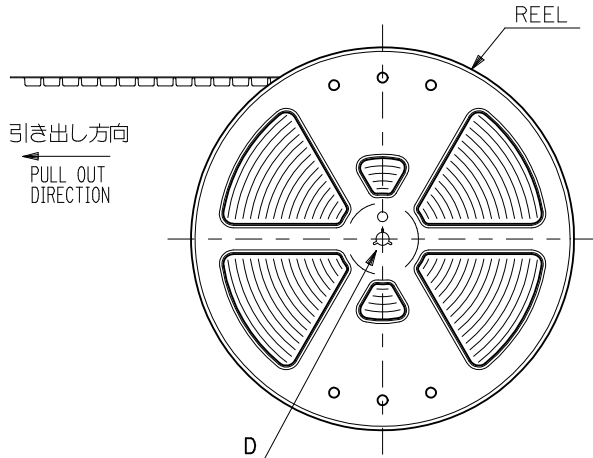
1. 使用材料 MATERIAL  
 ハウジング:液晶ポリマー ガラス充填 UL94V-0 茶色  
 HOUSING:LIQUID CRYSTAL POLYMER, GLASS FILLED, UL94V-0, COLOR BROWN  
 ターミナル:リン青銅 (t=0.15)  
 TERMINAL:PHOSPHOR BRONZE(t=0.15)
2. メッキ仕様 PLATING  
 金メッキ (コンタクト部)  
 GOLD PLATING (CONTACT AREA)  
 錫メッキ(テール部)  
 TIN PLATING (TAIL AREA)  
 下地メッキ:ニッケルメッキ  
 UNDER PLATING : NICKEL
- △ テール部に適用。  
 APPLY TO THE TAIL AREA.
4. 嵌合相手:55394 / 503376 シリーズ  
 MATE WITH : 55394 / 503376 SERIES.
5. テール平坦度は、0.08以下  
 TAIL COPLANARITY TO BE 0.08MAXIMUM
6. ELV及びRoHS適合品  
 ELV AND RoHS COMPLIANT



19.0	17.6	19.6	54552-9016	90
17.0	15.6	17.6	54552-8016	80
9.0	7.6	9.6	54552-4016	40
7.0	5.6	7.6	54552-3016	30
5.0	3.6	5.6	54552-2016	20
C	B	A	EMBOSSED TAPE	CKT.
ORDER No. オーダー番号				

CONNECTOR SERIES No. : 54552-\*\*\*15

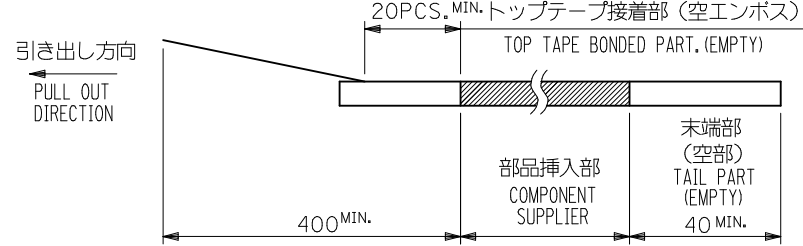
RELEASED EC NO: J2010-1972 DRW:KTOYODA 2010/03/31 CHKD:SMARUYAMA 2010/03/31 APPR:SMARUYAMA 2010/03/31	GENERAL TOLERANCES (UNLESS SPECIFIED)		DIMENSION STYLE MM ONLY		SCALE 8:1	DESIGN UNITS METRIC		THIRD ANGLE PROJECTION	
	10 UNDER	±0.2	DRAWN BY	DATE	TITLE				
	10 OVER 30 UNDER	±0.25	KTOYODA	2010/03/29	0.4 B/B CONN R/A REC HSG ASSY WITHOUT BOSS				
	30 OVER	±0.3	SMARUYAMA	2010/03/29	MOLEX INCORPORATED				
ANGULAR ±3 °		DRAFT WHERE APPLICABLE MUST REMAIN WITHIN DIMENSIONS		APPROVED BY MSASAO 2010/03/29	MATERIAL NO. SEE TABLE		DOCUMENT NO. SD-54552-025		SHEET NO. 1 OF 1
THIS DRAWING CONTAINS INFORMATION THAT IS PROPRIETARY TO MOLEX INCORPORATED AND SHOULD NOT BE USED WITHOUT WRITTEN PERMISSION									



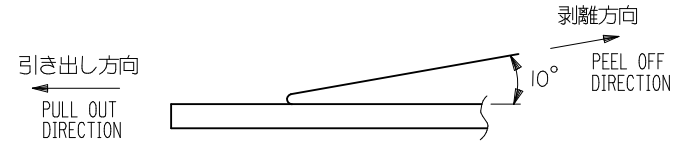
DETAIL D

NOTES

- 製品詳細寸法については SD-54552-025 を参照下さい。  
RE DETAILED DIMENSION, SEE SD-54552-025.
- 梱包数量：1500個/リール  
NUMBER OF CONNECTORS：1500PCS/REEL
- リードテープ長さ LEAD TAPE LENGTH



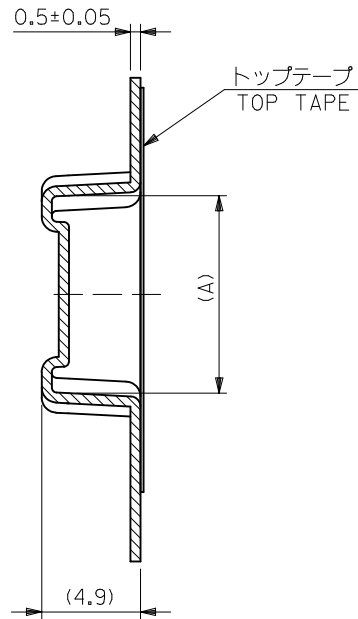
- トップテープの剥離強度：0.1 ~ 1.3N (10 ~ 130gf) (剥離方向は下図参照)  
尚、本規格値は出荷時に適用。(但し、輸送時に剥離が発生しないこと。)  
PEELING OFF FORCE OF TOP TAPE：0.1 ~ 1.3N (10 ~ 130gf)  
(PEELING DIRECTION AS SHOWN IN FOLLOWING FIG.)  
THIS REQUIREMENT SHOULD BE APPLIED AT SHIPMENT.  
PEEL OFF SHOULD NOT BE ALLOWED, DURING TRANSPORTATION.



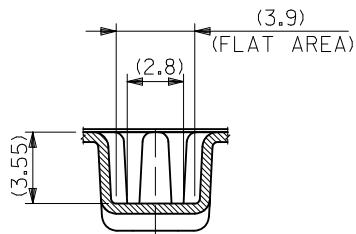
- 材料 (MATERIAL)  
キャリアテープ (CARRIER TAPE)：ポリプロピレン (POLYPROPYLENE)  
トップテープ (TOP TAPE)：PET, PE, PEF  
リール (REEL)：ポリスチレン (P S) <リサイクル材を含む>  
POLYSTYRENE (PS) <RECYCLE MATERIAL CONTAINED>
- ELV 及び RoHS 適合品  
ELV AND RoHS COMPLIANT

54552-9016	90
54552-8016	80
54552-4016	40
54552-3016	30
54552-2016	20
EMBOSSED TAPE	CKT.
ORDER No. オーダー番号	

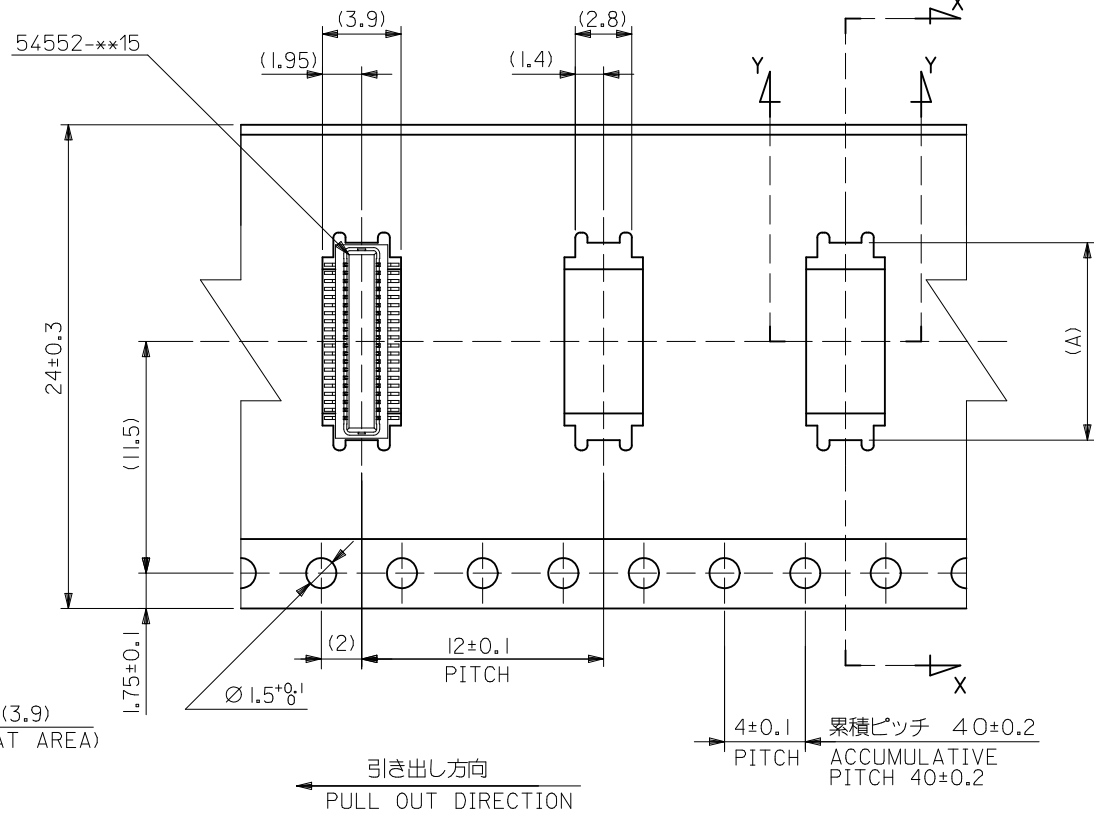
RELEASED EC NO.: J2010-1972 DRWN: KTOYODA 2010/03/31 CHKD: SMARUYAMA 2010/03/31 APPR: SMARUYAMA 2010/03/31	GENERAL TOLERANCES (UNLESS SPECIFIED)		DIMENSION STYLE MM ONLY		SCALE ---	DESIGN UNITS METRIC	THIRD ANGLE PROJECTION
	10 UNDER	± 0.2	DRAWN BY KTOYODA	DATE 2010/03/29	TITLE EMBSTP PKG FOR 0.4 B/B CONN RA REC HSG ASSY		
	10 OVER 30 UNDER	± 0.25	CHECKED BY SMARUYAMA	DATE 2010/03/29	MOLEX INCORPORATED		
	30 OVER	± 0.3	APPROVED BY MSASAO	DATE 2010/03/29	MATERIAL NO. SEE TABLE	DOCUMENT NO. SD-54552-026	SHEET NO. 1 OF 3
A	DESCRIPTION	ANGULAR ± 3 °	THIS DRAWING CONTAINS INFORMATION THAT IS PROPRIETARY TO MOLEX INCORPORATED AND SHOULD NOT BE USED WITHOUT WRITTEN PERMISSION				
		DRAFT WHERE APPLICABLE MUST REMAIN WITHIN DIMENSIONS					



SECT X-X



SECT Y-Y

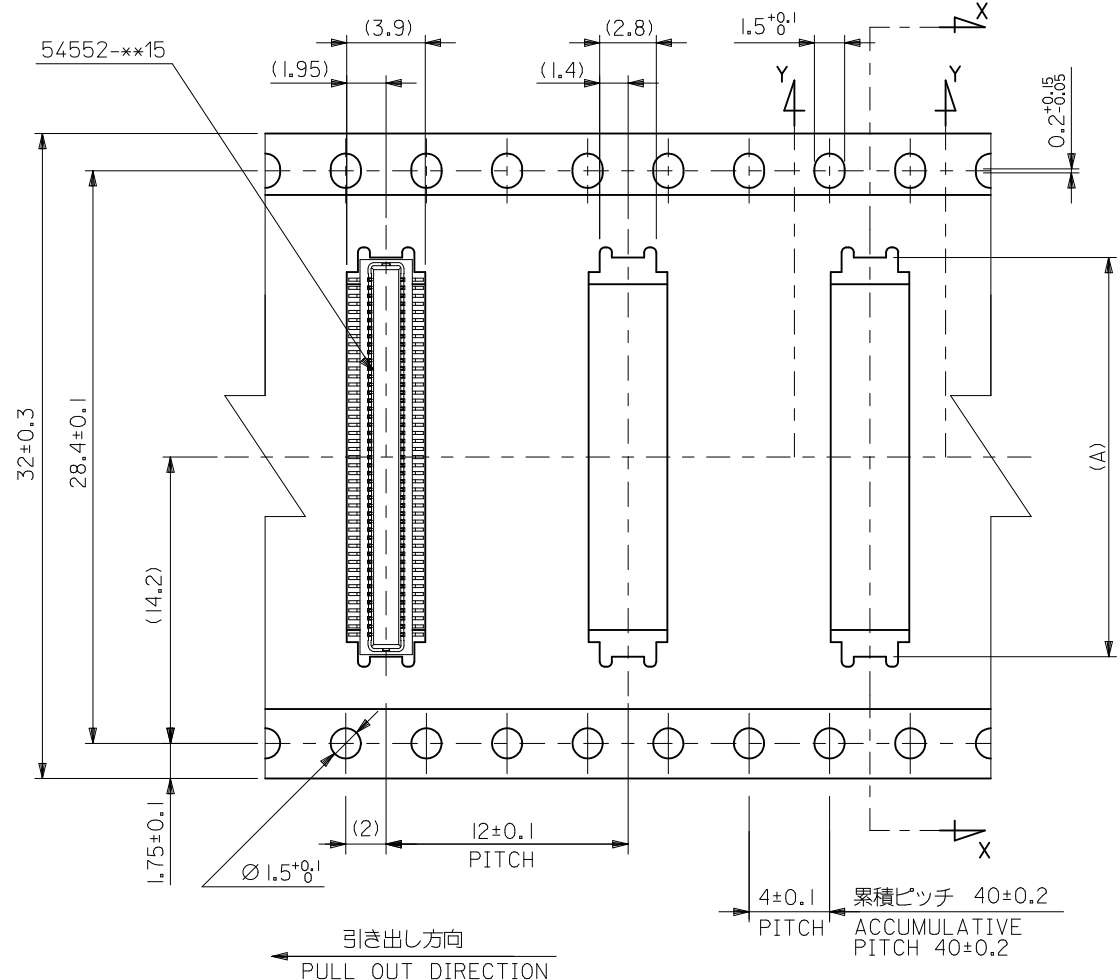
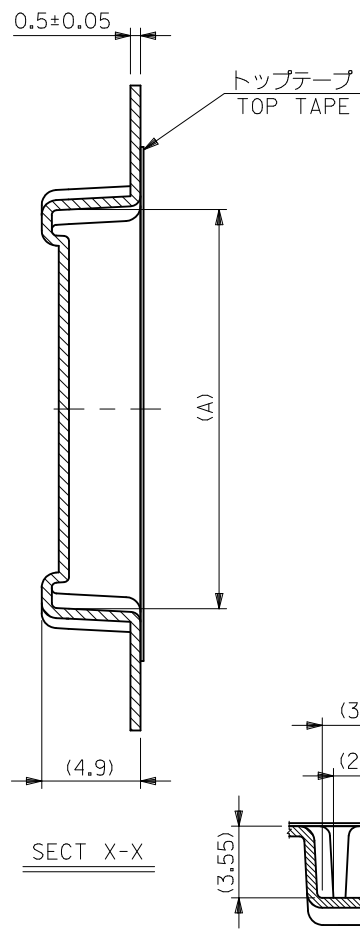


24mm幅キャリアテープ  
24mm WIDTH CARRIER TAPE

24	29.4	25.4	9.8	54552-4016	40
			7.8	54552-3016	30
			5.8	54552-2016	20
キャリアテープ幅 CARRIER TAPE WIDTH	C	B	(A)	EMBOSSED TAPE	極数 CIRCUITS
				ORDER No. オーダー番号	

SEE SHEET 1 OF 3 EC NO: J2010-1972 DRWK:KTOYODA 2010/03/31 CHKD:SMARUYAMA 2010/03/31 APPR:SMARUYAMA 2010/03/31	GENERAL TOLERANCES (UNLESS SPECIFIED)	
	10 UNDER	±0.2
	10 OVER 30 UNDER	±0.25
	30 OVER	±0.3
	ANGULAR	±3 °
	DRAFT WHERE APPLICABLE MUST REMAIN WITHIN DIMENSIONS	

DIMENSION STYLE MM ONLY		SCALE ---	DESIGN UNITS METRIC	THIRD ANGLE PROJECTION
DRAWN BY KTOYODA	DATE 2010/03/29	TITLE EMBSTP PKG FOR 0.4 B/B CONN RA REC HSG ASSY		
CHECKED BY SMARUYAMA	DATE 2010/03/29	MOLEX INCORPORATED		
APPROVED BY MSASAO	DATE 2010/03/29	MATERIAL NO. SEE TABLE	DOCUMENT NO. SD-54552-026	SHEET NO. 2 OF 3
SIZE A3	THIS DRAWING CONTAINS INFORMATION THAT IS PROPRIETARY TO MOLEX INCORPORATED AND SHOULD NOT BE USED WITHOUT WRITTEN PERMISSION			



引き出し方向  
PULL OUT DIRECTION  
32mm幅キャリアテープ  
32mm WIDTH CARRIER TAPE

32	37.4	33.4	19.8	54552-9016	90
			17.8	54552-8016	80
キャリアテープ幅 CARRIER TAPE WIDTH	C	B	(A)	EMBOSSED TAPE	極数 CIRCUITS
				ORDER No. オーダー番号	

SEE SHEET 1 OF 3 EC NO: J2010-1972 DRW:KTOYODA 2010/03/31 CHKD:SMARUYAMA 2010/03/31 APPR:SMARUYAMA 2010/03/31	GENERAL TOLERANCES (UNLESS SPECIFIED)	
	10 UNDER	±0.2
	10 OVER 30 UNDER	±0.25
	30 OVER	±0.3
	ANGULAR	±3 °
	DRAFT WHERE APPLICABLE MUST REMAIN WITHIN DIMENSIONS	

DIMENSION STYLE MM ONLY	SCALE ---	DESIGN UNITS METRIC	THIRD ANGLE PROJECTION
DRAWN BY KTOYODA	DATE 2010/03/29	TITLE EMBSTP PKG FOR 0.4 B/B CONN RA REC HSG ASSY	
CHECKED BY SMARUYAMA	DATE 2010/03/29	MOLEX INCORPORATED	
APPROVED BY MSASAO	DATE 2010/03/29	DOCUMENT NO. SD-54552-026	SHEET NO. 3 OF 3
MATERIAL NO. SEE TABLE	THIS DRAWING CONTAINS INFORMATION THAT IS PROPRIETARY TO MOLEX INCORPORATED AND SHOULD NOT BE USED WITHOUT WRITTEN PERMISSION		