

PLEASE CHECK WWW.MOLEX.COM FOR LATEST PART INFORMATION

Part Number: [0740618502](#)
Status: **Active**
Overview: [vhdm](#)
Description: 2.00mm (.079") Pitch VHDM® Board-to-Board Backplane Header, Vertical, 8-Row, Guide Pin Signal Module, Pin End Version, Lead Free, 200 Circuits, Pin Length 6.25mm (.246")

Documents:

[Drawing \(PDF\)](#) [RoHS Certificate of Compliance \(PDF\)](#)

General

Product Family	Backplane Connectors
Series	74061
Application	Backplane
Application Tooling Documents	http://www.molex.com/pdm_docs/ats/TM-622010999.pdf >Tooling Manual
Comments	No Keying Position
Component Type	PCB Header
Overview	vhdm
Product Name	VHDM®
Style	N/A

Physical

Circuits (Loaded)	200
Circuits (maximum)	200
Color - Resin	Black
Durability (mating cycles max)	200
First Mate / Last Break	No
Guide to Mating Part	Yes
Keying to Mating Part	None
Material - Metal	Beryllium Copper, High Performance Alloy (HPA), Stainless Steel
Material - Plating Mating	Gold
Material - Plating Termination	Tin
Material - Resin	High Temperature Thermoplastic
Number of Columns	N/A
Number of Pairs	Open Pin Field
Number of Rows	8
Orientation	Vertical
PC Tail Length (in)	0.098 In
PC Tail Length (mm)	2.50 mm
PCB Locator	No
PCB Retention	None
PCB Thickness Recommended (in)	0.070 In
PCB Thickness Recommended (mm)	1.80 mm
Packaging Type	Tube
Pitch - Mating Interface (in)	0.079 In
Pitch - Mating Interface (mm)	2.00 mm
Pitch - Term. Interface (in)	0.079 In
Pitch - Term. Interface (mm)	2.00 mm
Plating min: Mating (µin)	30
Plating min: Mating (µm)	0.75
Plating min: Termination (µin)	30
Plating min: Termination (µm)	0.75
Polarized to PCB	Yes
Stackable	No

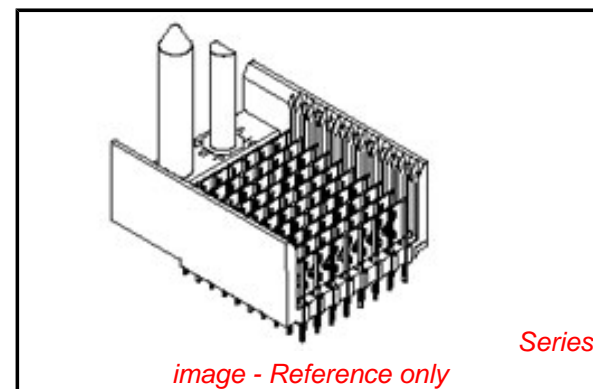


image - Reference only

EU RoHS

ELV and RoHS Compliant
REACH SVHC Contains SVHC: No
Halogen-Free Status
Not Reviewed

China RoHS



Need more information on product environmental compliance?

Email productcompliance@molex.com
 For a multiple part number RoHS Certificate of Compliance, [click here](#)

Please visit the [Contact Us](#) section for any non-product compliance questions.

Search Parts in this Series

[74061Series](#)

Mates With

[74040 VHDM® Board-to-Board Daughtercard Receptacle](#)

Application Tooling | FAQ

Tooling specifications and manuals are found by selecting the products below. Crimp Height Specifications are then contained in the Application Tooling Specification document.

Global

Description	Product #
VHDM® Signal Pin Inserter Repair Tool	0622015700
VHDM® 8 Row and Shield Repair Tool	0622015900
VHDM® 8 Row Shield Extraction Tool	0622016100

Surface Mount Compatible (SMC) Yes
Temperature Range - Operating 105°C max
Termination Interface: Style Through Hole - Compliant Pin

Electrical

Current - Maximum per Contact 1A
Data Rate 3.125 Gbps
Real Signals (per 25mm) 100
Shield Type Ground Plane Shield
Shielded Yes
Voltage - Maximum 120V AC (RMS)/DC

Material Info

Reference - Drawing Numbers

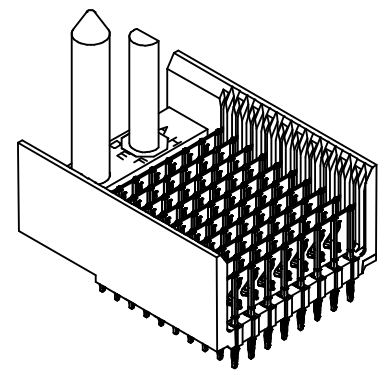
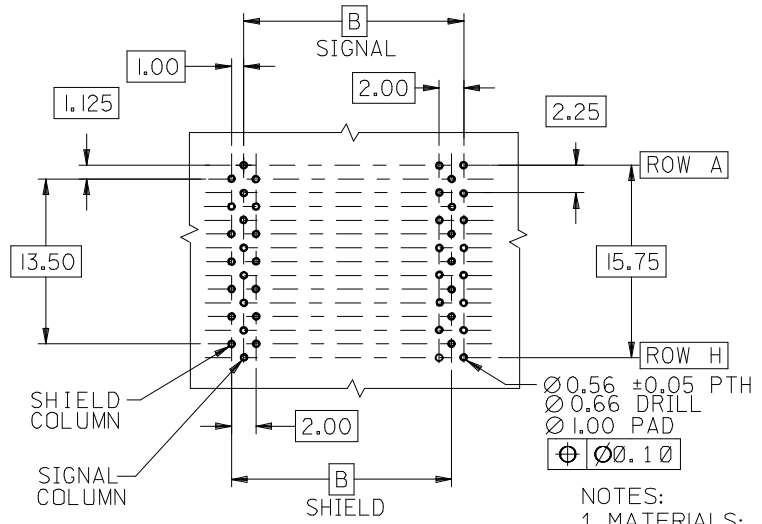
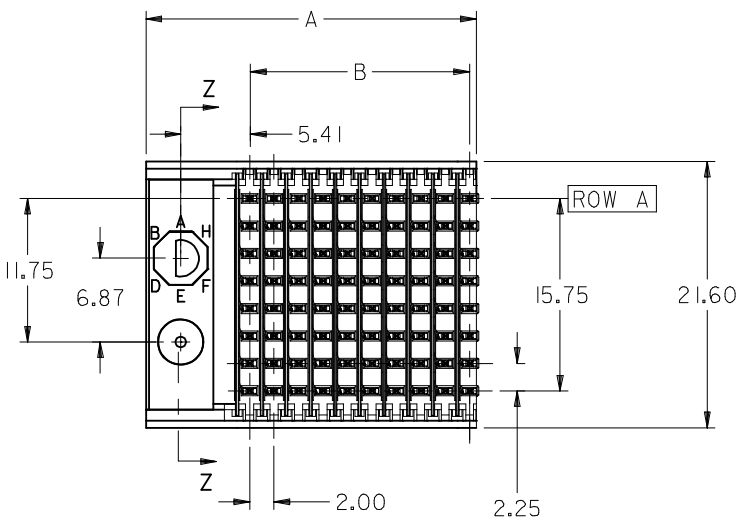
Sales Drawing SD-74061-002

VHDM and Very High Density Metric are trademarks of Amphenol Corporation

VHDM® Insertion [0622020206](#)
Module for Advanced
Mate Signal Header,
6 Row by 25 Wide,
50.00mm (1.97")
VHDM® Insertion [0622020210](#)
Module for Standard
Shield Signal
Header, 8 Row by
25 Wide, 50.00mm
(1.97")
Flat Rock Tooling for [0622013700](#)
Pneumatic Press

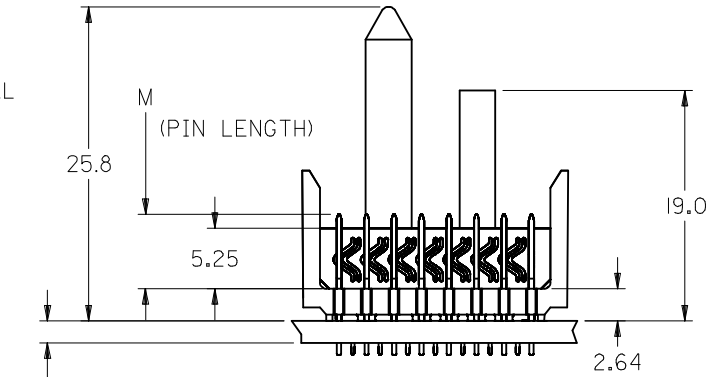
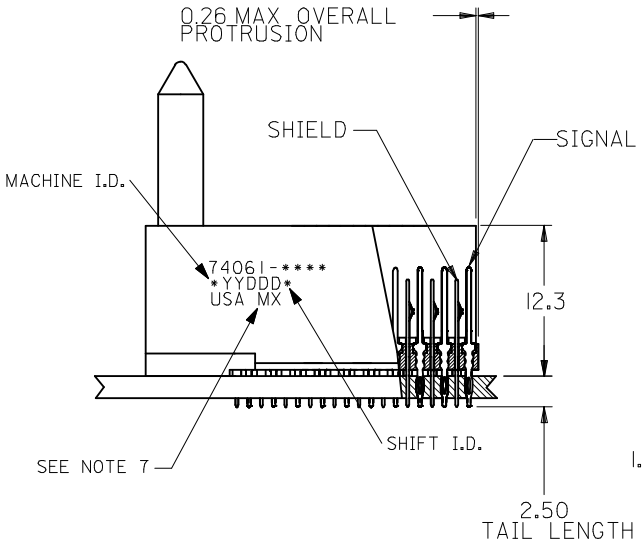
This document was generated on 06/01/2010

PLEASE CHECK WWW.MOLEX.COM FOR LATEST PART INFORMATION



BACKPLANE HOLE PATTERN
RECOMMENDED DIMENSION

- NOTES:
- MATERIALS:
HOUSING - LIQUID CRYSTAL POLYMER (LCP),
GLASS-FILLED, UL 94V-0, COLOR: BLACK
SIGNAL PIN & SHIELD - COPPER ALLOY
 - FINISHES:
CONTACT AREA: SELECTIVE GOLD (Au)
PCB TAILS: SELECTIVE TIN/LEAD (Sn/Pb)
OR SELECTIVE MATTE TIN (Sn)
NICKEL (Ni) OVERALL.
 - THIS PART CONFORMS TO MOLEX PRODUCT SPECIFICATION PS-74031-999
 - FOR MIXED CONTACT LENGTHS CONSULT MOLEX FOR AVAILABILITY
 - FOR SPECIFIC MATERIAL NUMBERS & MATING INFORMATION REFER TO SHEET 2
 - PACKAGE PER PK-74061-003
 - EITHER MARK PART WITH PART NUMBER & DATE CODE APPROXIMATELY WHERE SHOWN OR PLACE LABEL ON THE TUBE.



CORRECTED DIMS EC NO: UCP2008-0329 DRWN: JJONIAK 2007/08/28 CHKD: JJONIAK 2007/08/28 APPR: CBIXLER 2007/08/28	DESCRIPTION REV	QUALITY SYMBOLS ▽=0 ▽7=0	GENERAL TOLERANCES (UNLESS SPECIFIED) mm INCH 4 PLACES ± --- ± --- 3 PLACES ± --- ± --- 2 PLACES ± --- ± --- 1 PLACE ± --- ± --- ANGULAR ±1/2°	DIMENSION STYLE MM ONLY DRAWN BY DATE MWANG 1998/11/09 CHECKED BY DATE JLAURX 1998/11/09 APPROVED BY DATE CBIXLER 1998/11/09	SCALE 2.5:1 DESIGN UNITS METRIC THIRD ANGLE PROJECTION	TITLE VHDM 8 ROW SIGNAL END BACKPLANE SALES ASSEMBLY MOLEX INCORPORATED
		DRAFT WHERE APPLICABLE MUST REMAIN WITHIN DIMENSIONS	MATERIAL NO. SEE SHEET 2	DOCUMENT NO. SD-74061-002	SHEET NO. 1 OF 3	
		THIS DRAWING CONTAINS INFORMATION THAT IS PROPRIETARY TO MOLEX INCORPORATED AND SHOULD NOT BE USED WITHOUT WRITTEN PERMISSION				
		SIZE B				

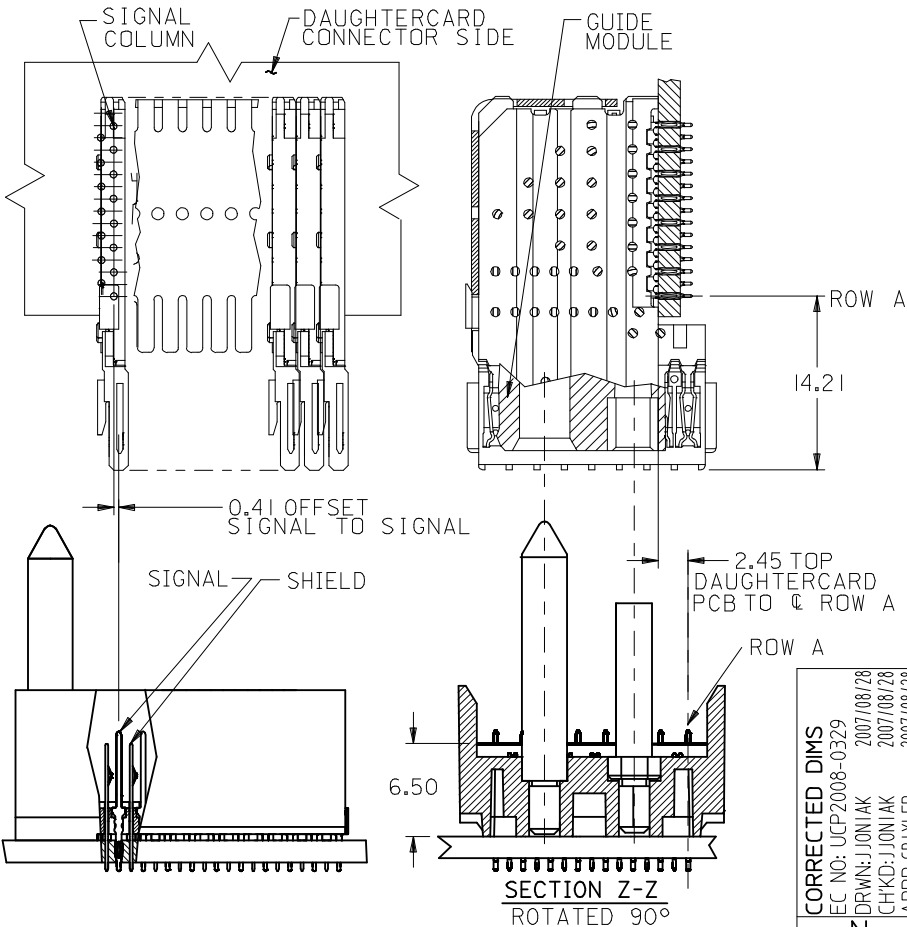
M/N 74061-()	-**0*	-**1*	-**2*	-**3*	-**4*	-**5*	-**6*	-**7*	-**8*
KEYING PIN ORIENTATION	O	A	B	C	D	E	F	G	H

74061 - * * * *

NUMBER OF COLUMNS/PLATING
 10 = 10 COLUMN TIN/LEAD
 12 = 12 COLUMN TIN/LEAD*
 25 = 25 COLUMN TIN/LEAD
 90 = 10 COLUMN MATTE TIN
 92 = 12 COLUMN MATTE TIN*
 85 = 25 COLUMN MATTE TIN

CONTACT LOAD
 (PIN LENGTH)
 1 & 6 = 4.75
 2 & 7 = 6.25
 3 & 8 = 4.25
 4 & 9 = 5.15

*12 COLUMN P/N'S ON SHEET 3



PART NUMBER	COLUMN	NUMBER OF SIGNAL PIN	NUMBER OF SHIELD	A	B	M	Au (um) THICKNESS	Sn (um) THICKNESS
74061-*0*1	10	80	10	27.00	18.00	4.75	0.76	0.76-1.52
74061-*0*6							1.27	
74061-*5*1							0.76	
74061-*5*6	1.27							
74061-*0*2	10	80	10	27.00	18.00	6.25	0.76	
74061-*0*7							1.27	
74061-*5*2							0.76	
74061-*5*7	1.27							
74061-*0*3	10	80	10	27.00	18.00	4.25	0.76	
74061-*0*8							1.27	
74061-*5*3							0.76	
74061-*5*8	1.27							
74061-*0*4	10	80	10	27.00	18.00	5.15	0.76	
74061-*0*9							1.27	
74061-*5*4							0.76	
74061-*5*9	1.27							

CORRECTED DIMS
 EC NO: UCP2008-0329
 DRAWN: J JONIAK 2007/08/28
 CHKD: J JONIAK 2007/08/28
 APPR: CBIXLER 2007/08/28

QUALITY SYMBOLS
 ▽=0
 ▽=0

GENERAL TOLERANCES (UNLESS SPECIFIED)

	mm	INCH
4 PLACES	± ---	± ---
3 PLACES	± ---	± ---
2 PLACES	± ---	± ---
1 PLACE	± ---	± ---

ANGULAR ±1/2°

DRAFT WHERE APPLICABLE MUST REMAIN WITHIN DIMENSIONS

DIMENSION STYLE MM ONLY

DRAWN BY	DATE
MWANG	1998/11/09
CHECKED BY	DATE
JLAURX	1998/11/09
APPROVED BY	DATE
CBIXLER	1998/11/09

SCALE 2.5:1

DESIGN UNITS METRIC

THIRD ANGLE PROJECTION

VHDM 8 ROW SIGNAL END BACKPLANE SALES ASSEMBLY

MOLEX INCORPORATED

MATERIAL NO. SEE CHART
 DOCUMENT NO. SD-74061-002
 SHEET NO. 2 OF 3

THIS DRAWING CONTAINS INFORMATION THAT IS PROPRIETARY TO MOLEX INCORPORATED AND SHOULD NOT BE USED WITHOUT WRITTEN PERMISSION