

PLEASE CHECK WWW.MOLEX.COM FOR LATEST PART INFORMATION

Part Number: [0850030567](#)
Status: **Active**
Overview: [din_41612](#)
Description: 2.54mm (.100") Pitch DIN 41612 Header, Right Angle, Through Hole, Style C, 0.6µm (24µ") Selective Gold (Au), 96 Circuits, Lead free

Documents:

[3D Model](#) [Product Specification PS-85003-0001 \(PDF\)](#)
[Drawing \(PDF\)](#) [RoHS Certificate of Compliance \(PDF\)](#)

Agency Certification

CSA LR19980
 UL E29179

General

Product Family Backplane Connectors
 Series [85003](#)
 Application Daughtercard
 Component Type PCB Header
 Overview [din_41612](#)
 Product Name IEC 603-2/DIN 41612
 Style C

Physical

Circuits (Loaded) 96
 Circuits (maximum) 96
 Durability (mating cycles max) 400
 First Mate / Last Break No
 Flammability 94V-0
 Guide to Mating Part No
 Keying to Mating Part Yes
 Number of Columns 16
 Number of Pairs Open Pin Field
 Number of Rows 3
 Orientation Right Angle
 PC Tail Length (in) 0.118 In
 PC Tail Length (mm) 3.00 mm
 PCB Locator No
 PCB Retention Yes
 PCB Thickness Recommended (in) 0.062 In
 PCB Thickness Recommended (mm) 1.60 mm
 Packaging Type Tray
 Pitch - Mating Interface (in) 0.100 In
 Pitch - Mating Interface (mm) 2.54 mm
 Pitch - Term. Interface (in) 0.100 In
 Pitch - Term. Interface (mm) 2.54 mm
 Polarized to PCB Yes
 Stackable No
 Temperature Range - Operating -55°C to +125°C
 Termination Interface: Style Through Hole

Electrical

Current - Maximum per Contact 1A
 Data Rate 622.0 Mbps
 Voltage - Maximum 250V AC (RMS)

Solder Process Data



EU RoHS

ELV and RoHS Compliant
REACH SVHC
 Not Reviewed
Halogen-Free Status
 Not Reviewed

China RoHS



Need more information on product environmental compliance?

Email productcompliance@molex.com
 For a multiple part number RoHS Certificate of Compliance, [click here](#)

Please visit the [Contact Us](#) section for any non-product compliance questions.

Search Parts in this Series

[85003Series](#)

Mates With

[85042](#) DIN 41612 Receptacle. [85052](#) DIN 41612 Header

Lead-free Process Capability

Wave Capable (TH only)

Material Info

Reference - Drawing Numbers

Packaging Specification

PK-85003-001

Product Specification

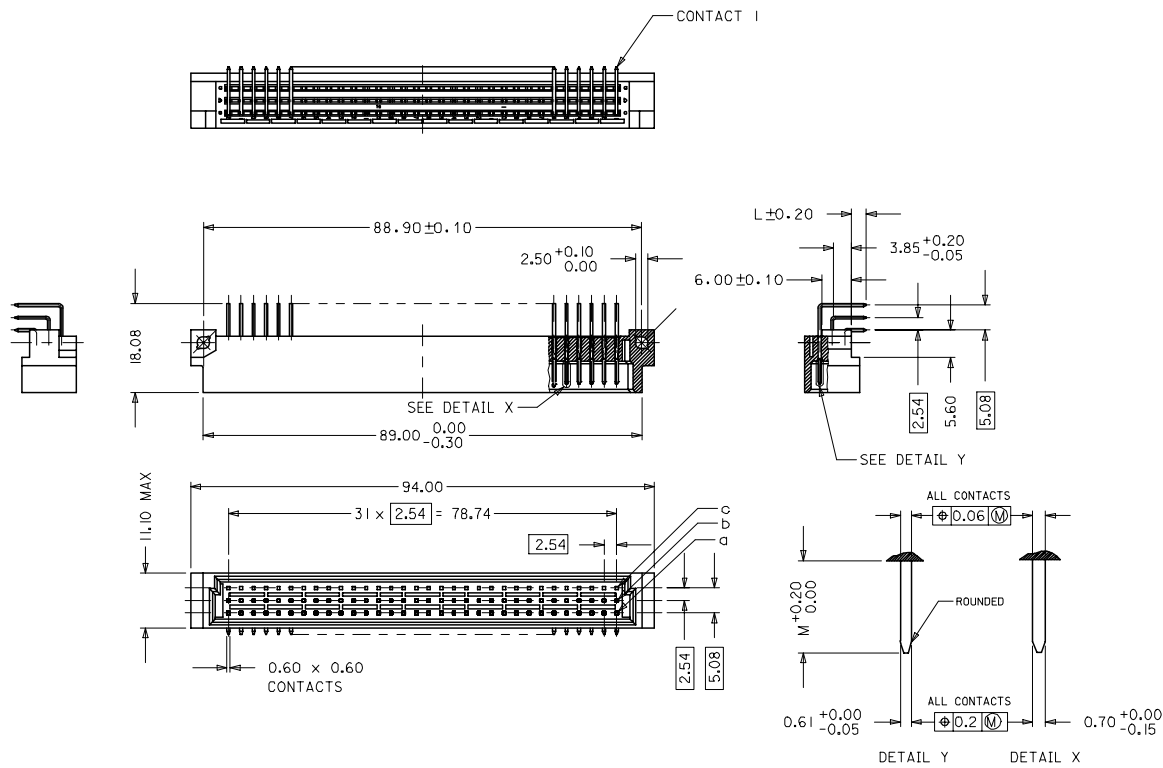
PS-85003-0001

Sales Drawing

SD-85003-0001, SD-85003-0567

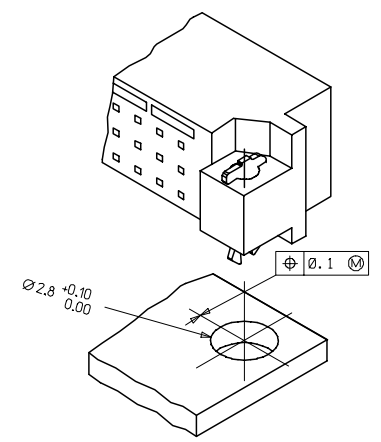
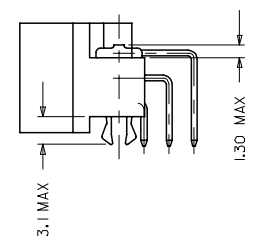
This document was generated on 05/17/2010

PLEASE CHECK WWW.MOLEX.COM FOR LATEST PART INFORMATION



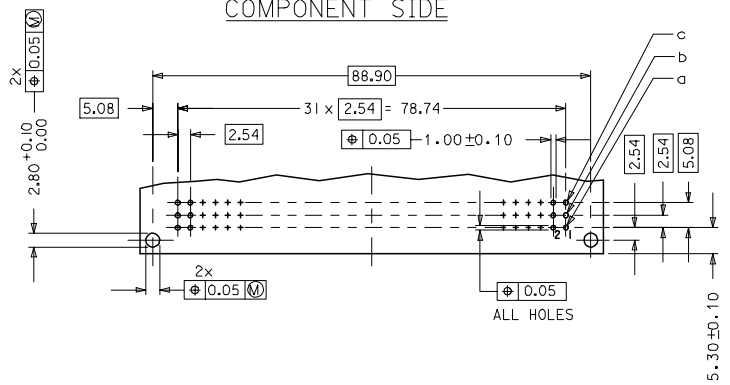
WITH MOUNTING CLIPS

8:1



- NOTES:
- 1) MATERIALS: THERMOPLASTIC POLYESTER, GLASS FILLED, UL94V-0, COLOUR: PEBBLE GREY RAL 7032
TERMINAL - BRASS
MOUNTING CLIP: STEEL
 - 2) FINISH: CONTACT AREA
 1. PERFORMANCE LEVEL 1: SELECTIVE GOLD (Au), THICKNESS = 1.1 MICROMETER OVER NICKEL, THICKNESS = 1.25 MICROMETER
 2. PERFORMANCE LEVEL 2: SELECTIVE GOLD (Au), THICKNESS = 0.6 MICROMETER OVER NICKEL, THICKNESS = 1.25 MICROMETER
 3. PERFORMANCE LEVEL 3: SELECTIVE GOLD (Au), THICKNESS = 0.3 MICROMETER OVER NICKEL, THICKNESS = 1.25 MICROMETER
 TERMINATION AREA : SELECTIVE TIN, THICKNESS = 2.5 MICROMETER OVER NICKEL, THICKNESS = 1.25 MICROMETER OVERALL
 - 3) MOUNTING CLIP:-
TIN (Sn), THICKNESS = 5-10 MICROMETER,
OVER NICKEL (Ni), THICKNESS = 2.5 MICROMETER
 - 4) FOR NON MOUNTING CLIP OPTION, CONNECTOR TO BE SECURED WITH RIVETS: 2 TUBULAR RIVETS 2.5 x 0.3 ... DIN 7340
SCREWS: 2 CHEESEHEAD SCREWS M2.5 x DIN 84 AND 2 HEXAGONAL NUTS M2.5 DIN 934
 - 5) STANDARD MARKING : MOLEX, MATERIAL NUMBER, BATCH CODE
 - 6) CUT FACE OF TIP WITHOUT PLATING PERMITTED
 - 7) PRODUCT SPECIFICATION PS : 85003-0001

RECOMMENDED PCB LAYOUT
COMPONENT SIDE



LMFB CONTACTS	4.2
FMLB CONTACTS	5.4
NORMAL CONTACTS	4.8
	M

RoHS COMPLIANT

ENTER DESCRIPTION ELC.MC.12007-0193 DRAWING NO. 2007/01/08 CHECKED BY CHOKKASUBRA APPROVED BY (APPROPRIATE)	QUALITY SYMBOLS ▽=0 ▽=0	GENERAL TOLERANCES (UNLESS SPECIFIED)		DIMENSION STYLE MM ONLY		SCALE 2:1	DESIGN UNITS METRIC	THIRD ANGLE PROJECTION
		4 PLACES ± --- ± --- 3 PLACES ± 0.05 ± --- 2 PLACES ± 0.1 ± --- 1 PLACE ± 0.15 ± ---	INCH ± --- ± --- ± ---	DRAWN BY SS DATE 1999/09/09	CHECKED BY G.J.LOWE DATE 1999/09/09	ASSEMBLY, DIN 41612 C MALE 96 POS		
DRAFT WHERE APPLICABLE MUST REMAIN WITHIN DIMENSIONS	SIZE A 1	SEE CHART		MATERIAL NO. SD-85003-0001		DOCUMENT NO.		SHEET NO. 1 OF 12

20 19 18 17 16 15 14 13 12 11 9 8 7 6 5 4 3 2 1

M

L

K

J

I

H

G

F

E

D

C

B

A

M

L

K

J

I

H

G

F

E

D

C

B

A

VIEW ON MATING SIDE

○	C	C	C	C	C	C	C	C	C	C	C	C	C	C	C	C	C	C	C	C	C	C	C	C	C	C	C	C	C	C	C	C				
○	B	B	B	B	B	B	B	B	B	B	B	B	B	B	B	B	B	B	B	B	B	B	B	B	B	B	B	B	B	B	B	B	B	B	B	
○	A	A	A	A	A	A	A	A	A	A	A	A	A	A	A	A	A	A	A	A	A	A	A	A	A	A	A	A	A	A	A	A	A	A	A	A
	32	31	30	29	28	27	26	25	24	23	22	21	20	19	18	17	16	15	14	13	12	11	10	9	8	7	6	5	4	3	2	1				

A = 32 STANDARD CONTACTS L = 3
 B = 32 STANDARD CONTACTS L = 3
 C = 32 STANDARD CONTACTS L = 3
 S = 96 TOTAL NUMBER OF CONTACTS

MARKING	STANDARD
PERFORMANCE LEVEL	G2/O = CONTACT AREA LEVEL2 / TERMINATION TIN
FLUX PROOF	NO
FIXING CLIP	YES
DIMENSIONS	SD-85003-0001 SHT 1

C	G2/O	c1-32
B	G2/O	b1-32
A	G2/O	a1-32
CONTACT SYMBOL	PERFORMANCE LEVEL	CONTACT POSITION NUMBER

EC NO: 2004-XXXX DRAWN: S. 09/09/03 CHK: G.L. 09/09/03 APPR: G.L. 09/09/03	QUALITY SYMBOLS MAJOR CRITICAL	GENERAL TOLERANCES: (UNLESS SPECIFIED)		SCALE	DESIGN UNITS	DIMENSIONS: <input type="checkbox"/> INCH <input type="checkbox"/> INCH <input checked="" type="checkbox"/> M/M <input checked="" type="checkbox"/> M/M ONLY	THIRD ANGLE PROJECTION	SHEET NO. 1 OF 1	REV SIZE D
		4 PLACES ±0. ±.	±.	DRAWN BY & DATE S.S. 09/09/1999	TITLE: 96 POS MALE CONNECTOR ACCORDING DIN 41612 STYLE C CONTACTS ARRANGEMENT MOLEX MOLEX INCORPORATED				
		3 PLACES ±0. ±.	±.	CHECKED BY & DATE G.L. 09/09/1999					
		2 PLACES ±0. ±.	±.	APPROVED BY & DATE G.L. 09/09/1999					
1 PLACE ±0. ±.	±.								
C	REV	DESCRIPTION	ANGULAR: ±	CAD FILENAME SD-85003-0567.S0	MATERIAL NO. 85003-0567	DRAWING NO. SD-85003-0567			
DRAFT WHERE APPLICABLE MUST REMAIN WITHIN DIMENSIONS			THIS DRAWING CONTAINS INFORMATION THAT IS PROPRIETARY TO MOLEX INCORPORATED AND SHOULD NOT BE USED WITHOUT WRITTEN PERMISSION.						

19 18 17 16 15 14 13 12 11 10 9 8 7 6 5 4 3 2 1