

PLEASE CHECK WWW.MOLEX.COM FOR LATEST PART INFORMATION

Part Number: [0942460012](#)
Status: **Active**
Description: 2.54mm (.100") Pitch, MOX Header, 2.54mm (.100") Grid, Through Hole, PCT, Vertical, 12 Circuit, Brown

Documents:

[3D Model](#) [Product Specification PS-94246-001 \(PDF\)](#)
[Drawing \(PDF\)](#) [RoHS Certificate of Compliance \(PDF\)](#)

General

Product Family PCB Headers
 Series [94246](#)
 Application Wire-to-Board
 Product Name MOX

Physical

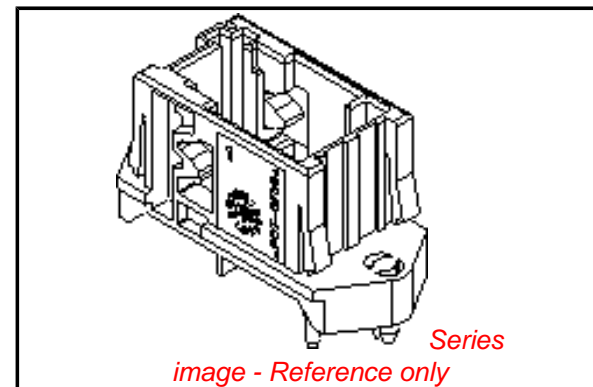
Breakaway No
 Circuits (Loaded) 12
 Circuits (maximum) 12
 Color - Resin Natural
 Durability (mating cycles max) 100
 First Mate / Last Break No
 Glow-Wire Compliant No
 Lock to Mating Part Yes
 Material - Plating Mating Tin
 Material - Plating Termination Tin
 Material - Resin High Temperature Thermoplastic
 Number of Rows 2
 Orientation Vertical
 PC Tail Length (in) 0.157 In
 PC Tail Length (mm) 4.00 mm
 PCB Locator Yes
 PCB Retention Yes
 PCB Thickness Recommended (in) 0.062 In
 PCB Thickness Recommended (mm) 1.60 mm
 Packaging Type Tray
 Pitch - Mating Interface (in) 0.100 In
 Pitch - Mating Interface (mm) 2.54 mm
 Plating min: Mating (µin) 120
 Plating min: Mating (µm) 3
 Plating min: Termination (µin) 120
 Plating min: Termination (µm) 3
 Polarized to Mating Part Yes
 Polarized to PCB Yes
 Shrouded Partial
 Stackable No
 Surface Mount Compatible (SMC) No
 Temperature Range - Operating -40°C to +125°C
 Termination Interface: Style Through Hole

Electrical

Current - Maximum per Contact 6A
 Voltage - Maximum 125V

Solder Process Data

Duration at Max. Process Temperature (seconds) 5



EU RoHS

ELV and RoHS Compliant
REACH SVHC
 Not Reviewed
Halogen-Free Status
 Not Reviewed

China RoHS



Need more information on product environmental compliance?

Email productcompliance@molex.com
 For a multiple part number RoHS Certificate of Compliance, [click here](#)

Please visit the [Contact Us](#) section for any non-product compliance questions.

Search Parts in this Series

[94246Series](#)

Mates With

[98695](#)

Lead-free Process Capability	SMC & Wave Capable (TH only)
Max. Cycles at Max. Process Temperature	3
Process Temperature max. C	265

Material Info

Reference - Drawing Numbers

Product Specification	PS-94246-001
Sales Drawing	SD-94246-001

This document was generated on 04/22/2010

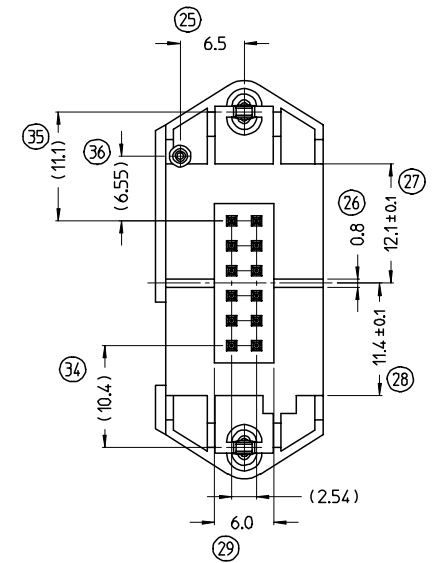
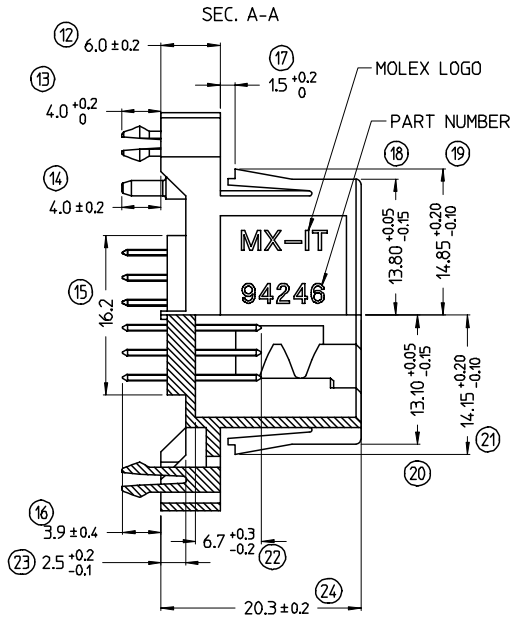
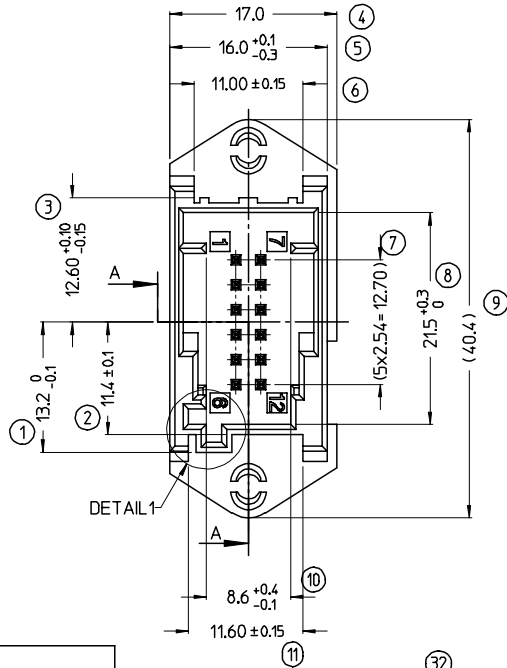
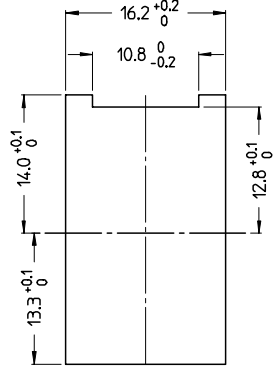
PLEASE CHECK WWW.MOLEX.COM FOR LATEST PART INFORMATION

10 9 8 7 6 5 4 3 2 1

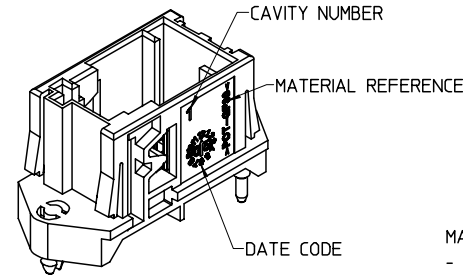
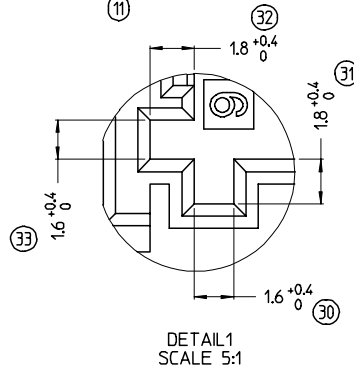
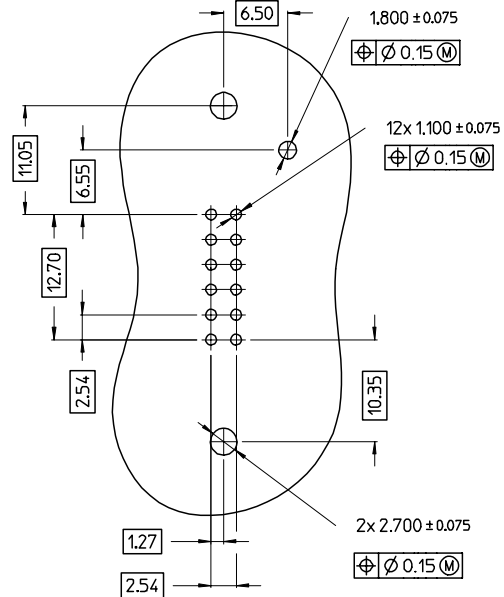
F
E
D
C
B
A

F
E
D
C
B
A

RECOMMENDED PANEL CUTOUT



PCB LAYOUT (HEADER MOUNTING SIDE)
PCB THICKNESS: 1.60 ± 0.15 mm



MATERIALS:
- HOUSING: PCT 30% G.F. HB, BROWN COLOR
- CONTACTS: BRASS PLATED

NOTES:
[1] CHARACTERISTICS ACCORDING TO: PS-94246-001
[2] PACKAGING CONFIGURATION: SEE DWG. PK-94246-001

STD. DESCR.: 'MOX HEADER BROWN W/BOARD LOCK 12 CKT'

NEW REVISION EC NO: Z2007-0021 DRWN:RDAGOSTI 2006/11/28 CHKD:LSANTESSO 2006/11/29 APPR:GZUIN 2006/11/29	DESCRIPTION 12 CKT MOX HEADER BROWN W/BOARD LOCK	QUALITY SYMBOLS	GENERAL TOLERANCES (UNLESS SPECIFIED)	DIMENSION STYLE	SCALE	DESIGN UNITS	FIRST ANGLE PROJECTION
		$\nabla=0$ $\sphericalangle=0$	mm INCH 4 PLACES ± --- ± --- 3 PLACES ± --- ± --- 2 PLACES ± 0.3 ± --- 1 PLACE ± 0.3 ± --- ANGULAR ± ---°	MM ONLY	2:1	METRIC	DRAWN BY DATE RDAGOSTI 2003/10/23 CHECKED BY DATE RSANDANO 2004/02/27 APPROVED BY DATE GZUIN 2004/02/27
		DRAFT WHERE APPLICABLE MUST REMAIN WITHIN DIMENSIONS	MATERIAL NO.	DOCUMENT NO.	TITLE		
		SIZE A3	94246-0012	SD-94246-001	12 CKT MOX HEADER BROWN VERSION WITH BOARD LOCK		
			MATERIALS: - HOUSING: PCT 30% G.F. HB, BROWN COLOR - CONTACTS: BRASS PLATED		MOLEX INCORPORATED		
			NOTES: [1] CHARACTERISTICS ACCORDING TO: PS-94246-001 [2] PACKAGING CONFIGURATION: SEE DWG. PK-94246-001		SHEET NO. 1 OF 1		

9 8 7 6 5 4 3 2 1