

Super Bright LED

Features

- High efficient light output
- Low thermal resistance
- Compatible with automatic placement equipment
- Mono-color type
- RoHS Compliant

Applications

- Vehicle Signal Lamp
- Architecture lighting
- Specialty lighting

Device Selection Guide

Chip			Lens Color
Part No.	Material	Emitted Color	
TLH-Q1W8-ZIKK	AllnGaP	Red	Water Clear

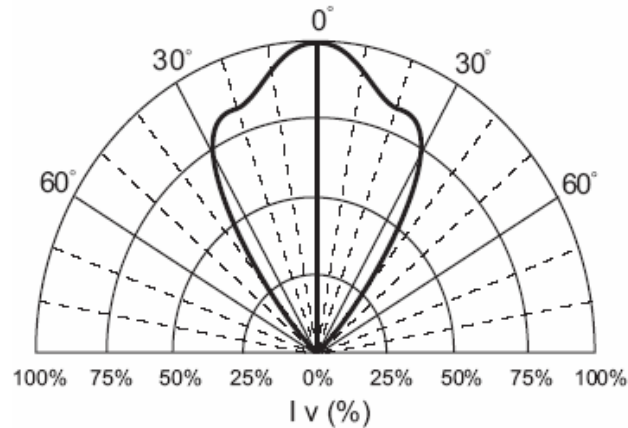
Absolute Maximum Ratings ($T_{amb}=25^{\circ}C$)

Parameter	Symbol	Value	Unit
Reverse Voltage	V_R	10	V
Forward Current	I_F	70	mA
Power Dissipation	P_d	224	mW
Operating Temperature	T_{opr}	-40 ~ +85	°C
Storage Temperature	T_{stg}	-40 ~ +100	°C
Lead Soldering Temperature	T_{sol}	260 (for 5 seconds)	°C

Electro-Optical Characteristics (T_{amb}=25°C)

Parameter	Symbol	Min.	Typ.	Max.	Unit	Condition
Luminous Flux	Φ_v	2750	3500	-----	mlm	I _F =70mA
Viewing Angle	$2\theta_{1/2}$	-----	70	-----	deg	
Dominant wavelength	λ_d	-----	623	-----	nm	
Forward Voltage	V _F	-----	2.7	3.2	V	
Reverse Current	I _R	-----	-----	100	μA	V _R =10V

Typical Electro-Optical Characteristics Curves



Radiation Diagram

Reliability Test Items and Conditions

The reliability of products shall be satisfied with items listed below.

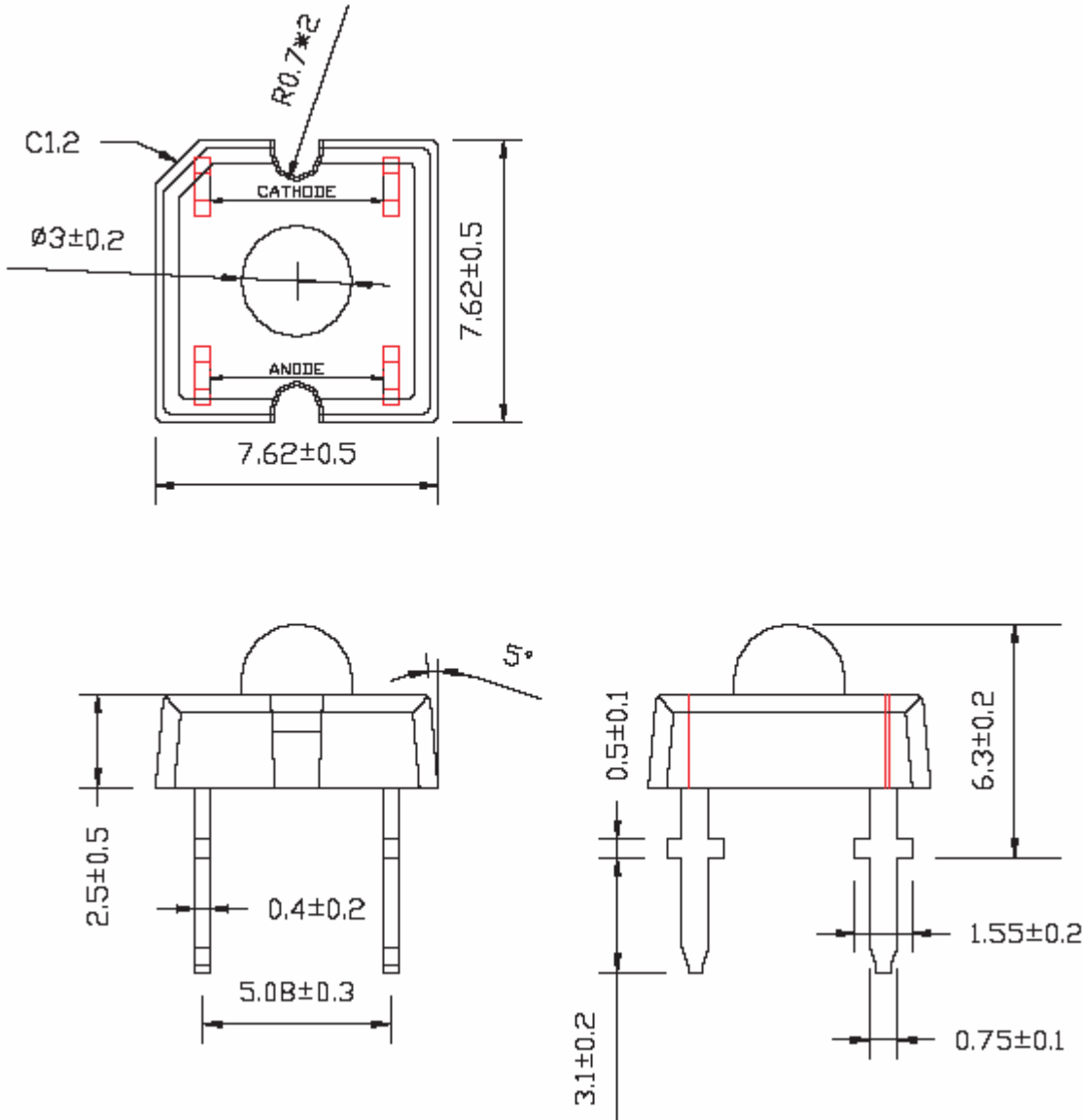
The reliability is tested in compliance with MIL standard.

No.	Items	Test Condition	Test Hours / Cycles	Sample Size	Ac/Re
1	Operating Life Test	Temp.: 25°C IF = 350 mA	1000 Hrs.	22 PCS.	0/1
2	Temperature Cycle	H: +100°C 30min M:25°C 5 min L: 0°C 30min	50 Cycles	22 PCS.	0/1
3	Thermal Shock Test	H: +100°C 2min L: 0°C 2min	1000 Cycles	22 PCS.	0/1
4	High Temperature Storage	Temp.: 100°C	1000 Hrs.	22 PCS.	0/1
5	Low Temperature Storage	Temp.: -40°C	1000 Hrs.	22 PCS.	0/1
7	High Temperature / High Humidity	85°C / 85%RH IF = 100 mA	500 Hrs.	22 PCS.	0/1

SUPER BRIGHT LED

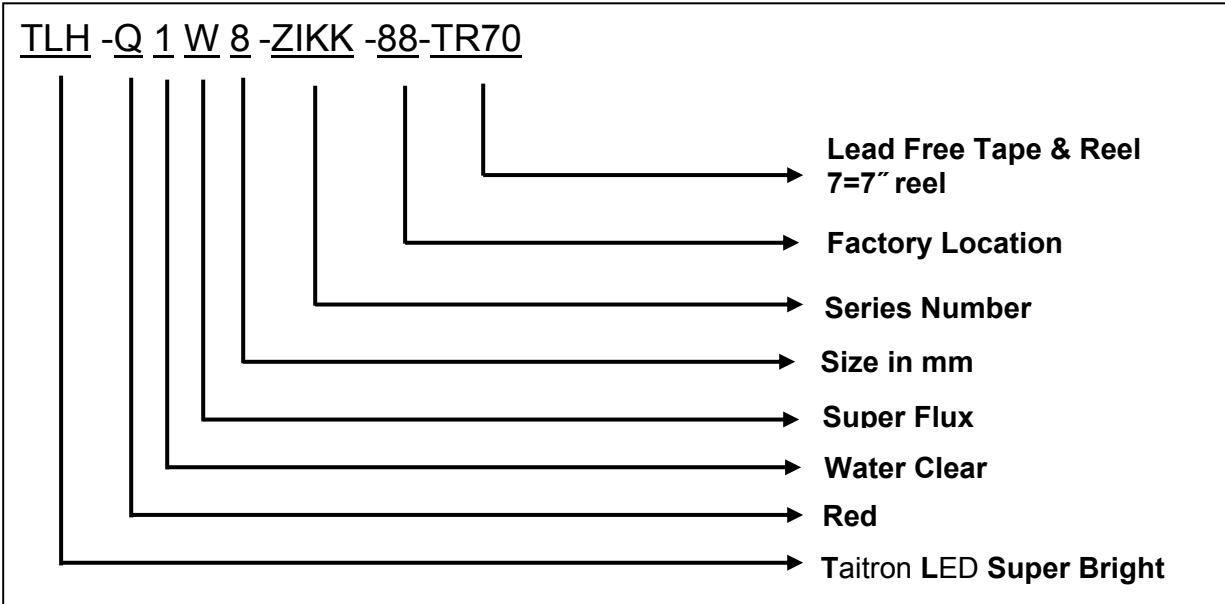
TLH-Q1W8-ZIKK

Package Dimensions (In mm)



- Note:** 1. The tolerances unless mentioned is ± 0.2 mm.
2. Protruded resin under bottom surface of epoxy is 1.5mm Max.

Ordering Information



Code of Luminous Flux

Code	Min.	Max.	Unit	Condition
E	2750	3850	mlm	If=70mA
F	3850	5400		

How to contact us:

US HEADQUARTERS

28040 WEST HARRISON PARKWAY, VALENCIA, CA 91355-4162

Tel: (800) TAITRON (800) 247-2232 (661) 257-6060

Fax: (800) TAITFAX (800) 824-8329 (661) 257-6415

Email: taitron@taitroncomponents.com

Http://www.taitroncomponents.com

TAITRON COMPONENTS MEXICO, S.A .DE C.V.

BOULEVARD CENTRAL 5000 INTERIOR 5 PARQUE INDUSTRIAL ATITALAQUIA, HIDALGO C.P.
42970 MEXICO

Tel: +52-55-5560-1519

Fax: +52-55-5560-2190

TAITRON COMPONETS INCORPORATED E REPRESENTAÇÕES DO BRASIL LTDA

RUA DOMINGOS DE MORAIS, 2777, 2.ANDAR, SALA 24 SAÚDE - SÃO PAULO-SP 04035-001 BRAZIL

Tel: +55-11-5574-7949

Fax: +55-11-5572-0052

TAITRON COMPONETS INCORPORATED, SHANGHAI REPRESENTATIVE OFFICE

CROSS REGION PLAZA, 899 LINGLING ROAD, SUITE 18C, SHANGHAI, 200030, CHINA

Tel: +86-21-5424-9942

Fax: +86-21-5424-9931