

PLEASE CHECK WWW.MOLEX.COM FOR LATEST PART INFORMATION

Part Number: [0430310006](#)
Status: **Active**
Overview: [microfit_30](#)
Description: Micro-Fit 3.0™ Crimp Terminal, Male, with Select Gold (Au) Plated Tin/Brass Alloy Contact, 26-30 AWG, Reel

Documents:

[Drawing \(PDF\)](#) [RoHS Certificate of Compliance \(PDF\)](#)
[Product Specification PS-43045 \(PDF\)](#)

General

Product Family	Crimp Terminals
Series	43031
Crimp Quality Equipment	Yes
Overview	microfit_30
Product Literature Order No	USA-106
Product Name	Micro-Fit 3.0™

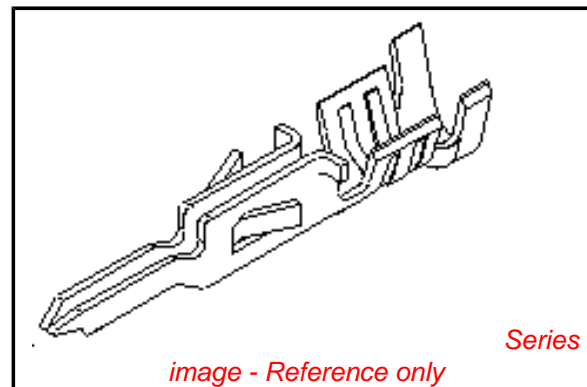
Physical

Gender	Male
Material - Metal	Phosphor Bronze
Material - Plating Mating	Gold
Material - Plating Termination	Tin
Packaging Type	Reel
Plating min: Mating (µin)	30
Plating min: Mating (µm)	0.76
Plating min: Termination (µin)	100
Plating min: Termination (µm)	2.5
Termination Interface: Style	Crimp or Compression
Wire Insulation Diameter	1.27mm (.050") max.
Wire Size AWG	26, 28, 30
Wire Size mm²	N/A

Material Info

Reference - Drawing Numbers

Packaging Specification	PK-43031-001
Product Specification	PS-43045, RPS-43045-003, RPS-43045-004
Sales Drawing	SD-43031-****
Test Summary	TS-43045-002



EU RoHS

ELV and RoHS Compliant
REACH SVHC Contains SVHC: No
Halogen-Free Status

China RoHS



Need more information on product environmental compliance?

Email productcompliance@molex.com
 For a multiple part number RoHS Certificate of Compliance, [click here](#)

Please visit the [Contact Us](#) section for any non-product compliance questions.

Search Parts in this Series

[43031Series](#)

Application Tooling | [FAQ](#)

Tooling specifications and manuals are found by selecting the products below. Crimp Height Specifications are then contained in the Application Tooling Specification document.

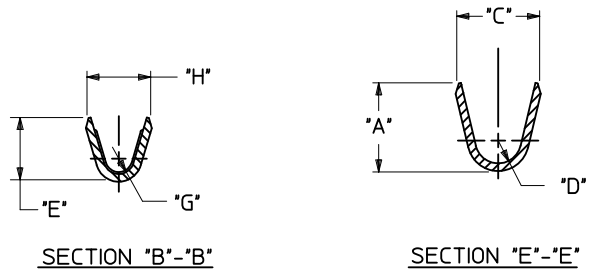
Global

Description	Product #
Insertion Tool for Micro-Fit 3.0™ Crimp Terminal	0638120800
FineAdjust™ Applicator, Use with Small Wire Insulation Diameter	0639001600
FineAdjust™ Applicator for Micro-Fit™ Crimp Terminal, 26-30 AWG	0639004400
T2 Terminator Tooling Die for	0639104400

Micro-Fit 3.0™ Crimp Terminal, 26-30 AWG	
Hand Crimp Tool	<u>0638190000</u>
Extraction Tool	<u>0011030043</u>

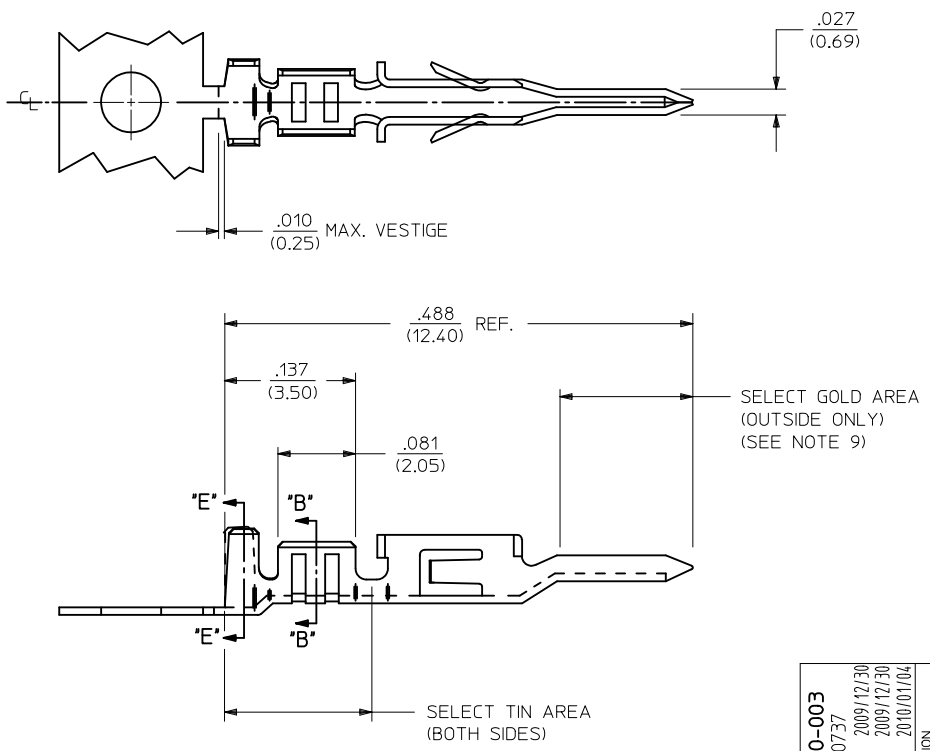
This document was generated on 05/27/2010

PLEASE CHECK WWW.MOLEX.COM FOR LATEST PART INFORMATION



AWG:	MAX. INSULATION
20-24	.073/(1.85)
26-30	.050/(1.27)

ITEM NUMBER	PLATING OPTION	WIRE SIZE	ASSEMBLY OPTION	"A" ±.016 (±0.41)	"C" ±.012 (±0.30)	"D" ±.005 (±0.13)	"E" ±.016 (±0.41)	"G" ±.005 (±0.13)	"H" ±.012 (±0.30)
43031-0001	A	20-24	CHAIN	.090/(2.29)	.100/(2.54)	.030/(0.76) R.	.075/(1.91)	.025/(0.64) R.	.082/(2.08)
43031-0002	B	20-24	CHAIN	.090/(2.29)	.100/(2.54)	.030/(0.76) R.	.075/(1.91)	.025/(0.64) R.	.082/(2.08)
43031-0003	C	20-24	CHAIN	.090/(2.29)	.100/(2.54)	.030/(0.76) R.	.075/(1.91)	.025/(0.64) R.	.082/(2.08)
43031-0004	A	26-30	CHAIN	.075/(1.91)	.083/(2.10)	.025/(0.64) R.	.058/(1.47)	.020/(0.51) R.	.065/(1.65)
43031-0005	B	26-30	CHAIN	.075/(1.91)	.083/(2.10)	.025/(0.64) R.	.058/(1.47)	.020/(0.51) R.	.065/(1.65)
43031-0006	C	26-30	CHAIN	.075/(1.91)	.083/(2.10)	.025/(0.64) R.	.058/(1.47)	.020/(0.51) R.	.065/(1.65)
43031-0007	A	20-24	LOOSE	.090/(2.29)	.100/(2.54)	.030/(0.76) R.	.075/(1.91)	.025/(0.64) R.	.082/(2.08)
43031-0008	B	20-24	LOOSE	.090/(2.29)	.100/(2.54)	.030/(0.76) R.	.075/(1.91)	.025/(0.64) R.	.082/(2.08)
43031-0009	C	20-24	LOOSE	.090/(2.29)	.100/(2.54)	.030/(0.76) R.	.075/(1.91)	.025/(0.64) R.	.082/(2.08)
43031-0010	A	26-30	LOOSE	.075/(1.91)	.083/(2.10)	.025/(0.64) R.	.058/(1.47)	.020/(0.51) R.	.065/(1.65)
43031-0011	B	26-30	LOOSE	.075/(1.91)	.083/(2.10)	.025/(0.64) R.	.058/(1.47)	.020/(0.51) R.	.065/(1.65)
43031-0012	C	26-30	LOOSE	.075/(1.91)	.083/(2.10)	.025/(0.64) R.	.058/(1.47)	.020/(0.51) R.	.065/(1.65)



NOTES:

- 1) MATERIAL : PHOSPHOR BRONZE ALLOY
- 2) TERMINAL PLATING:
 A = HOT TIN DIP: .000040/(0.00102) MIN.
 B = .000015/(0.00038) MIN. SELECT GOLD .000100/(0.002543) MIN. SELECT TIN OVER .000050/(0.00127) MIN. NICKEL
 C = .000030/(0.00076) MIN. SELECT GOLD .000100/(0.002543) MIN. SELECT TIN OVER .000050/(0.00127) MIN. NICKEL
 * MATERIAL NUMBERS WITH SELECT PLATING ARE POST-PLATED AFTER FORMING.
- 3) PRODUCT SPECIFICATION : PS-43045, PS-43650, PS-44300-001
- 4) PACKAGING SPECIFICATION: PK-43031-001 (REEL), PK-43030-003 (LOOSE).
- 5) TERMINAL FOR USE IN MICRO FIT PLUG 43020-****, 43640-****, AND 44300-****.
- 6) FOR TERMINAL ORIENTATION IN PLUG SEE DRAWING SDA-43020-**** OR SD-43640-****.
- 7) THIS TERMINAL IS DESIGNED IN METRIC.
- 8) THE PRIMARY SHIPPING CARTON WILL BE LABELED "COMPLIANT TO RoHS DIRECTIVE 2002/95/EC AND ELV ANNEX II OF DIRECTIVE 2000/53/EC." CARTONS WITHOUT THIS LABEL MAY CONTAIN PRODUCT WITH TIN/LEAD IN THE PC TAIL AREA.
- 9) SOME GOLD MAY BE PRESENT ON INSIDE SURFACE.

ADD PK-43030-003 EC NO: UCP2010-0737 DRW:SSOUSEK 2009/12/30 CHKD:SSOUSEK 2009/12/30 APPR:FSMITH 2010/01/04	QUALITY SYMBOLS	GENERAL TOLERANCES (UNLESS SPECIFIED)	DIMENSION STYLE	SCALE	DESIGN UNITS	THIRD ANGLE PROJECTION																				
	$\nabla=0$ $\nabla=0$	<table border="1"> <tr><th colspan="2">mm</th><th colspan="2">INCH</th></tr> <tr><td>4 PLACES ± ---</td><td>± ---</td><td></td><td></td></tr> <tr><td>3 PLACES ± ---</td><td>±.014</td><td></td><td></td></tr> <tr><td>2 PLACES ± 0.25</td><td>±.010</td><td></td><td></td></tr> <tr><td>1 PLACE ± 0.35</td><td>± ---</td><td></td><td></td></tr> </table>	mm		INCH		4 PLACES ± ---	± ---			3 PLACES ± ---	±.014			2 PLACES ± 0.25	±.010			1 PLACE ± 0.35	± ---			IN/MM	---	METRIC	
	mm		INCH																							
	4 PLACES ± ---	± ---																								
3 PLACES ± ---	±.014																									
2 PLACES ± 0.25	±.010																									
1 PLACE ± 0.35	± ---																									
DRAWN BY: MUELLER CHECKED BY: MUELLER APPROVED BY: MARGULIS	DATE: 2002/08/13 DATE: 2002/08/13 DATE: 2002/08/13	TITLE	MICRO-FIT (3.0) MALE TERMINAL																							
MATERIAL NO. DRAFT WHERE APPLICABLE MUST REMAIN WITHIN DIMENSIONS	SEE CHART	DOCUMENT NO. SD-43031-****	MOLEX INCORPORATED SHEET NO. 1 OF 1																							