

PLEASE CHECK WWW.MOLEX.COM FOR LATEST PART INFORMATION

Part Number: **0491021210**
Status: **Active**
Description: 2.50mm (.098") Pitch Male Housing, for 1.02mm (.040") Diameter Terminal, Used in Car Mirror Applications

Documents:

[Drawing \(PDF\)](#) [RoHS Certificate of Compliance \(PDF\)](#)
[Product Specification PS-104000-001 \(PDF\)](#)

General

Product Family Crimp Housings
 Series 49102
 Product Name N/A

Physical

Circuits (maximum) 12
 Color - Resin Natural, Yellow
 Gender Male
 Glow-Wire Compliant No
 Lock to Mating Part Yes
 Material - Resin Polyester
 Number of Rows 2
 Packaging Type Bag
 Panel Mount Yes
 Pitch - Mating Interface (in) 0.098 In
 Pitch - Mating Interface (mm) 2.50 mm
 Polarized to Mating Part Yes
 Stackable No
 Temperature Range - Operating -40°C to +120°C

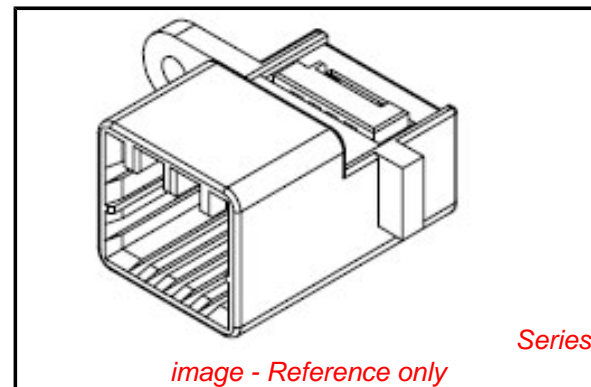
Electrical

Current - Maximum per Contact 5A

Material Info

Reference - Drawing Numbers

Product Specification PS-104000-001
 Sales Drawing SD-49102-001



EU RoHS

**ELV and RoHS
Compliant**
REACH SVHC
 Not Reviewed
**Halogen-Free
Status**

China RoHS



**Need more information on product
environmental compliance?**

Email productcompliance@molex.com
 For a multiple part number RoHS Certificate of Compliance, [click here](#)

Please visit the [Contact Us](#) section for any non-product compliance questions.

Search Parts in this Series

[49102Series](#)

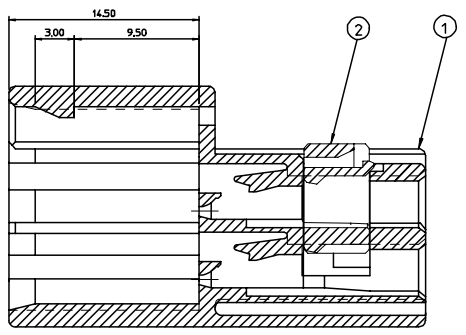
Mates With

[64002-1215](#)

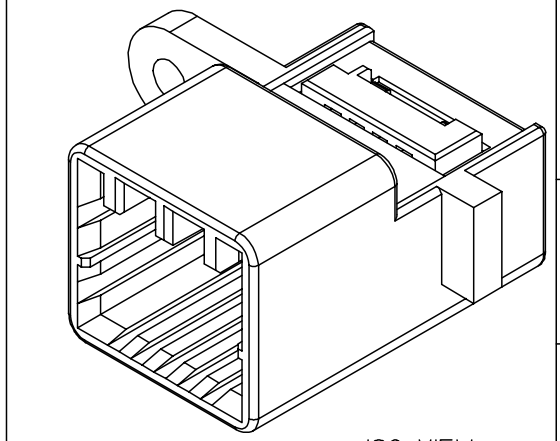
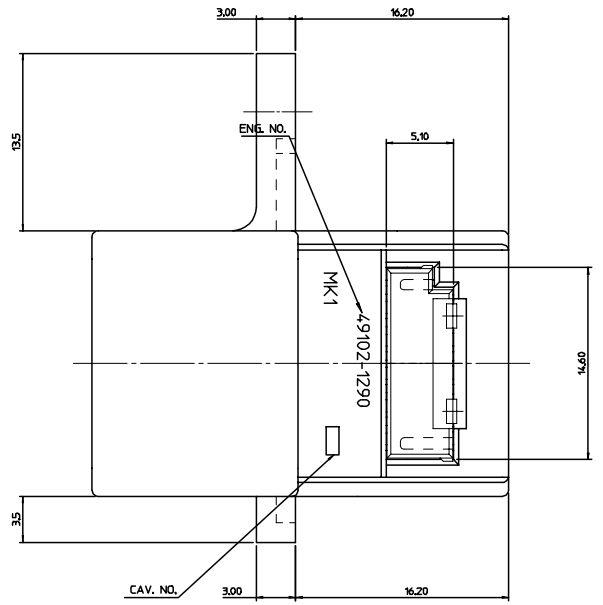
Use With

[50660-9001](#)

PROJECT NO. SD-49102-001
 SIMILAR ITEM
 DWG. NO. SD-49102-001
 DO NOT SCALE DRAWING
 DIMENSION IN METRIC

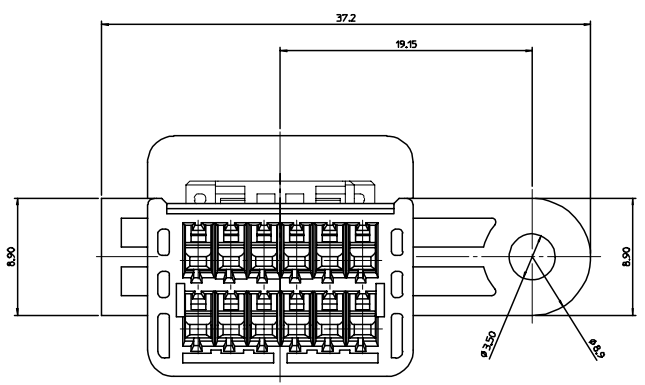
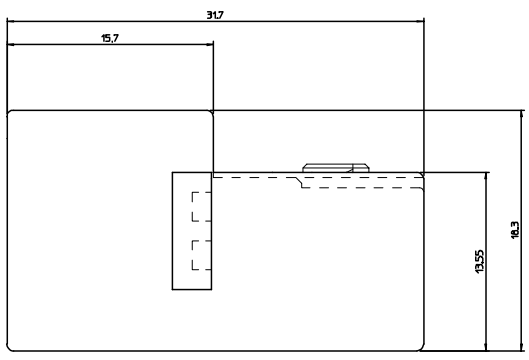
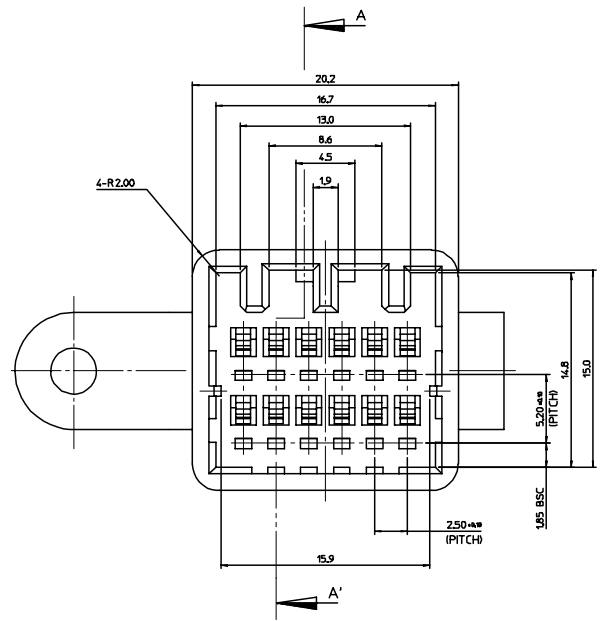


SECTION A-A'



ISO VIEW

NO.	PART NAME	PART NO.	MATERIAL	REMARKS
1	M/HSG 12P	49102-1290	POLYESTER	NATURAL
2	M/TPA	49103-1283	POLYESTER	YELLOW



- <NOTE>
- MATERIAL : POLYESTER(PBT) UL 94HB
 - APPLICABLE TERMINAL : 50660-9001
 - APPLICATION FEMALE HOUSING : 64002-1215

MATERIAL NO.	ENG. NO.
491021210	49102-1210

NEW RELEASE ECU NO.49102-0162 DRWNS:JMKR 05/02/14 CHK&C:YOUN 05/02/14 APPROVEE	QUALITY SYMBOLS MAJOR CRITICAL	GENERAL TOLERANCES (UNLESS SPECIFIED) <table border="1"> <tr> <th></th> <th>mm</th> <th>INCH</th> </tr> <tr> <td>4 PLACES</td> <td>±0.1</td> <td>±</td> </tr> <tr> <td>3 PLACES</td> <td>±0.1</td> <td>±</td> </tr> <tr> <td>2 PLACES</td> <td>±0.2</td> <td>±</td> </tr> <tr> <td>1 PLACE</td> <td>±0.3</td> <td>±</td> </tr> </table>		mm	INCH	4 PLACES	±0.1	±	3 PLACES	±0.1	±	2 PLACES	±0.2	±	1 PLACE	±0.3	±	SCALE 4:1 DESIGN UNITS <input checked="" type="checkbox"/> mm <input type="checkbox"/> INCH THRD ANGLE PROJECTION <input type="checkbox"/> INCH <input type="checkbox"/> METRIC ONLY	DRAWN BY & DATE S.MJKIM 04/08/31 CHECKED BY & DATE B.C.YOON 04/08/31 APPROVED BY & DATE C.W.LEE 04/08/31 CAD FILE NAME SD49102JHI	TITLE .040 MIRROR MALE HSG 12P ASS'Y MOLEX INCORPORATED MATERIAL NO. SEE TABLE DRAWING NO. SD-49102-001 SHEET NO. 10F1 SIZE C	SHT REV REVERSE ON CAD ONLY
		mm	INCH																		
	4 PLACES	±0.1	±																		
3 PLACES	±0.1	±																			
2 PLACES	±0.2	±																			
1 PLACE	±0.3	±																			
REVISION A	DRAFT WHERE APPLICABLE MUST REMAIN WITHIN DIMENSIONS	THIS DRAWING CONTAINS INFORMATION THAT IS PROPRIETARY TO MOLEX INCORPORATED AND SHOULD NOT BE USED WITHOUT WRITTEN PERMISSION	KOREA	MX-A2																	