

PLEASE CHECK WWW.MOLEX.COM FOR LATEST PART INFORMATION

Part Number: [0513460600](#)
Status: **Active**
Description: 3.30mm (.130") Pitch Wire-to-Wire Plug Housing, Positive Lock, Dual Row, 6 Circuits

Documents:

[Drawing \(PDF\)](#) [RoHS Certificate of Compliance \(PDF\)](#)
[Product Specification PS-51347-001 \(PDF\)](#)

General

Product Family Crimp Housings
 Series [51346](#)
 Product Name N/A

Physical

Circuits (maximum) 6
 Color - Resin Natural
 Gender Male
 Glow-Wire Compliant No
 Lock to Mating Part Yes
 Material - Resin Nylon
 Number of Rows 2
 Packaging Type Bag
 Panel Mount No
 Pitch - Mating Interface (in) 0.130 In
 Pitch - Mating Interface (mm) 3.30 mm
 Polarized to Mating Part Yes
 Stackable No
 Temperature Range - Operating -25°C to +85°C

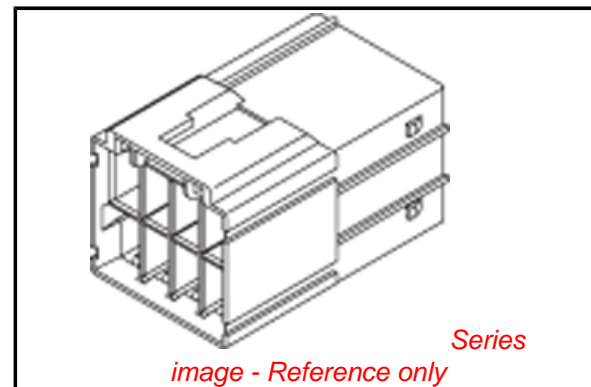
Electrical

Current - Maximum per Contact 4A

Material Info

Reference - Drawing Numbers

Product Specification PS-51347-001, RPS-51347-004, RPS-51347-005,
 RPS-51347-006, RPS-51347-007
 Sales Drawing SD-51346-001



EU RoHS

**ELV and RoHS
 Compliant**
**REACH SVHC
 Contains SVHC: No**
**Halogen-Free
 Status
 Not Reviewed**

China RoHS



**Need more information on product
 environmental compliance?**

Email productcompliance@molex.com
 For a multiple part number RoHS Certificate of
 Compliance, [click here](#)

Please visit the [Contact Us](#) section for any
 non-product compliance questions.

Search Parts in this Series

[51346Series](#)

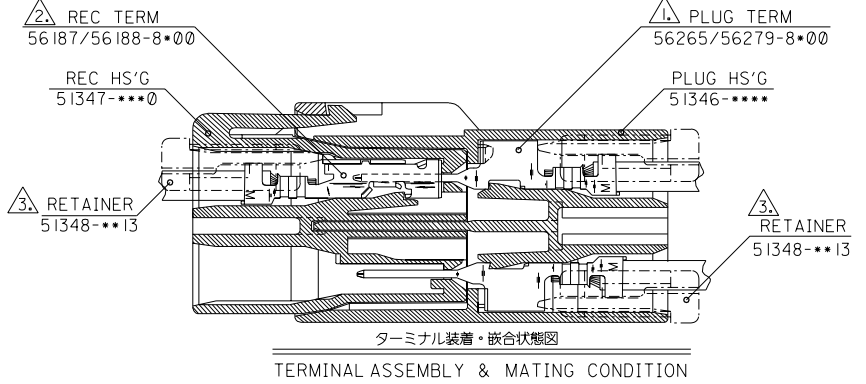
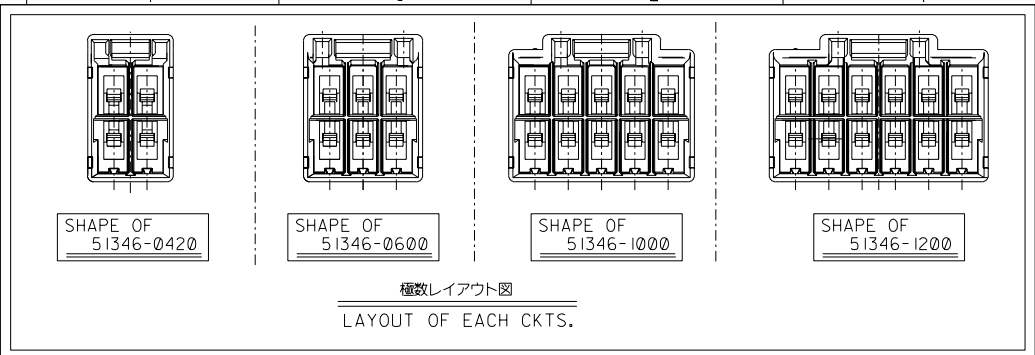
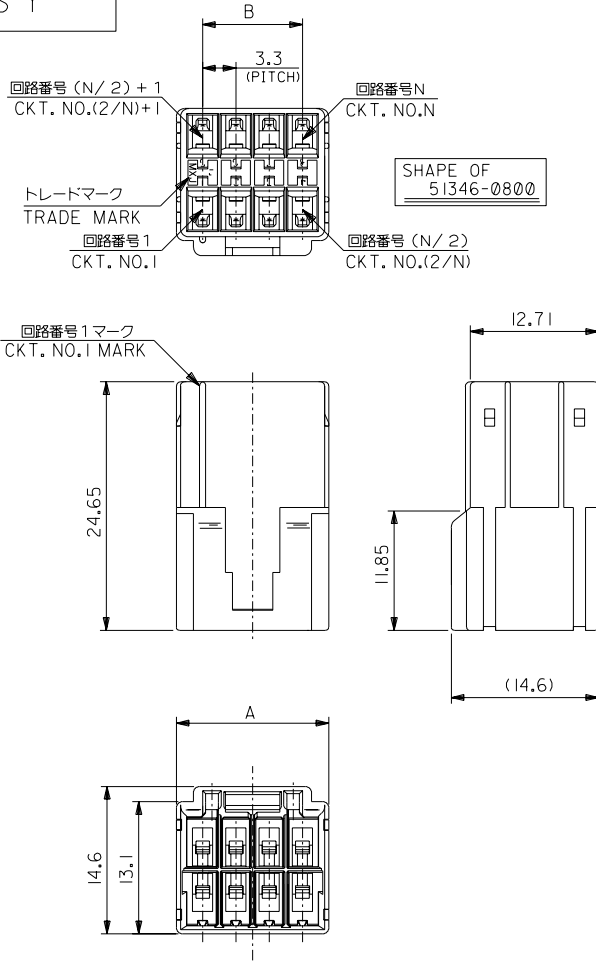
Mates With

[51347-0600](#)

Use With

[51348](#) , [56265](#)

本図は2列品を示す
DUAL ROW ASS'Y



- 注記
NOTES
- 1. 適合ターミナル : 56265/56279シリーズ
APPLICABLE TERMINAL : 56265/56279 SERIES
 - 2. 適合ターミナル : 56187/56188シリーズ
APPLICABLE TERMINAL : 56187/56188 SERIES
 - 3. 適合リテーナー : 51348-***1* シリーズ
APPLICABLE RETAINER : 51348-***1* SERIES
4. 材料 : NYLON66, UL94V-0
MATERIAL

51347-1200	51348-0613	NATURAL	16.5	21.7	12	51346-1200	
-1000	-0513		13.2	18.4	10	-1000	51346-****
-0800	-0413		9.9	15.1	8	-0800	
-0600	-0313		6.6	11.8	6	-0600	
51347-0420	51348-0213	NATURAL	3.3	8.5	4	51346-0420	
MATE WITH	CONFORMABLE-RETAINER	COLOR	B	A	CKT.	MATERIAL NO.	MODEL NO.

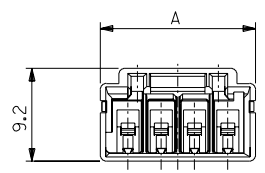
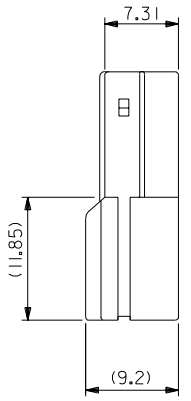
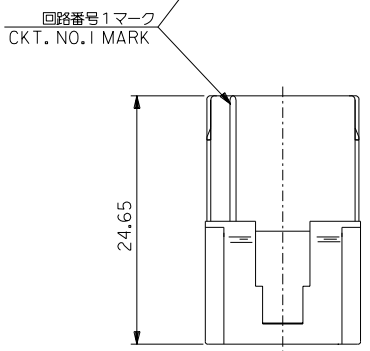
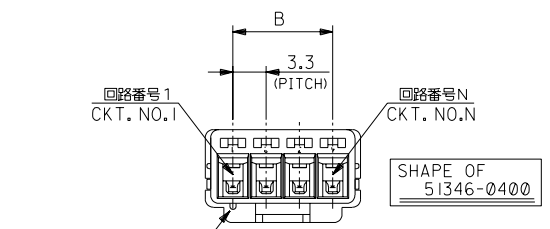
DO NOT SCALE DRAWING

回路番号 DRAWN: CH'K: APPR: 回路番号 DRAWN: CH'K: APPR: 回路番号 DRAWN: CH'K: APPR: 回路番号 DRAWN: CH'K: APPR:	回路番号 DRAWN: CH'K: APPR: 回路番号 DRAWN: CH'K: APPR: 回路番号 DRAWN: CH'K: APPR:	回路番号 DRAWN: CH'K: APPR: 回路番号 DRAWN: CH'K: APPR: 回路番号 DRAWN: CH'K: APPR:	回路番号 DRAWN: CH'K: APPR: 回路番号 DRAWN: CH'K: APPR: 回路番号 DRAWN: CH'K: APPR:	回路番号 DRAWN: CH'K: APPR: 回路番号 DRAWN: CH'K: APPR: 回路番号 DRAWN: CH'K: APPR:	回路番号 DRAWN: CH'K: APPR: 回路番号 DRAWN: CH'K: APPR: 回路番号 DRAWN: CH'K: APPR:
回路番号 DRAWN: CH'K: APPR: 回路番号 DRAWN: CH'K: APPR: 回路番号 DRAWN: CH'K: APPR:					
回路番号 DRAWN: CH'K: APPR: 回路番号 DRAWN: CH'K: APPR: 回路番号 DRAWN: CH'K: APPR:					
回路番号 DRAWN: CH'K: APPR: 回路番号 DRAWN: CH'K: APPR: 回路番号 DRAWN: CH'K: APPR:					
回路番号 DRAWN: CH'K: APPR: 回路番号 DRAWN: CH'K: APPR: 回路番号 DRAWN: CH'K: APPR:					
回路番号 DRAWN: CH'K: APPR: 回路番号 DRAWN: CH'K: APPR: 回路番号 DRAWN: CH'K: APPR:					

GENERAL TOLERANCES: (UNLESS SPECIFIED) 一般公差		SCALE: 1:1 DESIGN UNITS: <input checked="" type="checkbox"/> mm <input type="checkbox"/> INCH		DIMENSIONS: <input type="checkbox"/> mm <input type="checkbox"/> INCH <input type="checkbox"/> mm ONLY		SHT: 1 REV: 2			
10 UNDER 未満 ±0.2	10 OVER 以上 ±0.25	30 UNDER 未満 ±0.25	30 OVER 以上 ±0.3	DRAWN BY & DATE TODA '04/01/15		TITLE: 3.3 mm WIRE TO WIRE CONN. PLUG HOUSING			
WIRE RANGE 適用電線範囲 //				CHECKED BY & DATE S. Ichikawa				MOLEX INCORPORATED	
FINISH 仕上げ //				APPROVED BY & DATE Y. Ito				MATERIAL NO. SD-51346-001	
INS. RANGE 被覆外径 //				CAD FILENAME SD-51347-001.S01				DRAWING NO. SD-51346-001	
				ANGLE 角度 ±3°				SHEET NO. 1 OF 2	
THIS DRAWING CONTAINS INFORMATION THAT IS PROPRIETARY TO MOLEX INCORPORATED AND SHOULD NOT BE USED WITHOUT WRITTEN PERMISSION.								SIZE B	

DWG. NO. SD-51346-001

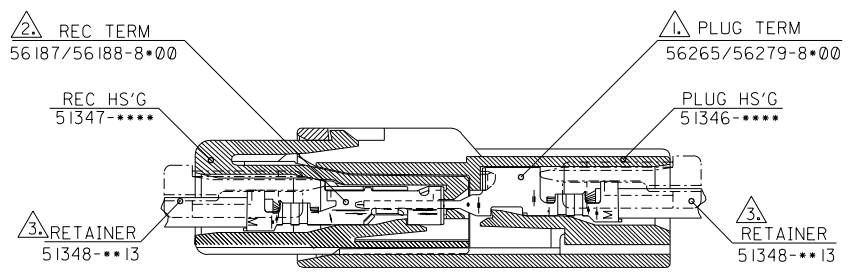
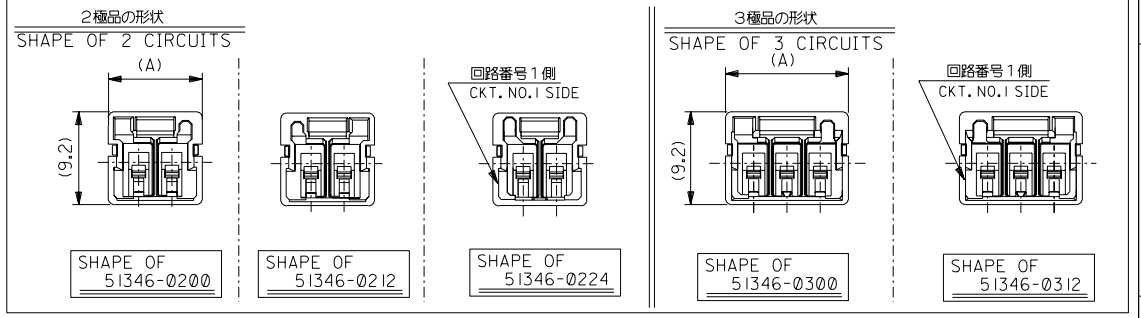
本図は1列品を示す
SINGLE ROW ASS'Y



注記
NOTES

- △ 適合ターミナル: 56265/56279シリーズ
APPLICABLE TERMINAL: 56265/56279 SERIES
 - △ 適合ターミナル: 56187/56188シリーズ
APPLICABLE TERMINAL: 56187/56188 SERIES
 - △ 適合リテーナー: 51348シリーズ
APPLICABLE RETAINER: 51348 SERIES
4. 材料 MATERIAL : NYLON66, UL94V-0

各種形状を下記に示す。
尚、嵌合間口にて誤嵌合バリエーションを持たせている為組み合わせには注意して下さい。



ターミナル装着・嵌合状態図
TERMINAL ASSEMBLY & MATING CONDITION

51347-0400	51348-0413	NATURAL	9.9	15.1	4	51346-0400	51346-****
-0312	-0313	RED	6.6	12.1	3	-0312	
-0300	-0313	NATURAL	6.6	12.1	3	-0300	
-0224	-0213	BLUE	3.3	9.3	2	-0224	
-0212	-0213	RED	3.3	9.3	2	-0212	
51347-0200	51348-0213	NATURAL	3.3	9.3		51346-0200	

MATE WITH	CONFORMABLE-RETAINER	COLOR	B	A	CKT.	MATERIAL NO.	MODEL NO.
-----------	----------------------	-------	---	---	------	--------------	-----------

DO NOT SCALE DRAWING

64NO. DRWN: CHK: APPR:	63NO. DRWN: CHK: APPR:	62NO. DRWN: CHK: APPR:	61NO. DRWN: CHK: APPR:	60NO. DRWN: CHK: APPR:	SEE SHEET 1
FINISH 仕上げ	WIRE RANGE 適用電線範囲	INS. RANGE 被覆外径	MATERIAL 材料	GENERAL TOLERANCES: (UNLESS SPECIFIED) 一般公差	SCALE 1/1
10 UNDER 未満	10 OVER 以上	30 UNDER 未満	10 OVER 以上	30 UNDER 未満	30 OVER 以上
10 UNDER 未満	10 OVER 以上	30 UNDER 未満	10 OVER 以上	30 UNDER 未満	30 OVER 以上
10 UNDER 未満	10 OVER 以上	30 UNDER 未満	10 OVER 以上	30 UNDER 未満	30 OVER 以上
10 UNDER 未満	10 OVER 以上	30 UNDER 未満	10 OVER 以上	30 UNDER 未満	30 OVER 以上

DIMENSIONS: mm INCH mm ONLY	DIMENSIONS: mm INCH mm ONLY	DIMENSIONS: mm INCH mm ONLY
-----------------------------------	-----------------------------------	-----------------------------------

DRAWN BY & DATE T. Odo '04/01/15	CHECKED BY & DATE S. Ichikawa.	APPROVED BY & DATE Y. Ota
CAD FILENAME SD-51346-001.S02	MATERIAL NO. SEE CHART	DRAWING NO. SD-51346-001

TITLE: 3.3 mm WIRE TO WIRE CONN. PLUG HOUSING (SINGLE ROW)	MOLEX INCORPORATED
SHEET NO. 2	SIZE B