

**PLEASE CHECK WWW.MOLEX.COM FOR LATEST PART INFORMATION**

**Part Number:** [0917160503](#)  
**Status:** **Active**  
**Overview:** [rast\\_25\\_connector\\_system](#)  
**Description:** 2.50mm (.098") Appli-Mate RAST 2.5 IDT Housing, Direct/Indirect, Female, 4 Circuits, Removed Position Keys A & D

**Documents:**

[3D Model](#) [RoHS Certificate of Compliance \(PDF\)](#)  
[Drawing \(PDF\)](#)

**Agency Certification**

CSA LR19980  
 UL E29179

**General**

Product Family IDT and Solder Connectors  
 Series [91716](#)  
 Crimp Quality Equipment Yes  
 Overview [rast\\_25\\_connector\\_system](#)  
 Product Name RAST 2.5  
 Use With RAST standard interface

**Physical**

Circuits (Loaded) 4  
 Circuits (maximum) 4  
 Color - Resin Natural (White)  
 Durability (mating cycles max) 10  
 Flammability 94V-0  
 Gender Female  
 Glow-Wire Compliant No  
 Lock to Mating Part None  
 Material - Metal Phosphor Bronze  
 Material - Plating Mating Tin  
 Material - Plating Termination Tin  
 Material - Resin Nylon  
 Number of Rows 1  
 Packaging Type Tray  
 Panel Mount No  
 Pitch - Mating Interface (in) 0.098 In  
 Pitch - Mating Interface (mm) 2.50 mm  
 Pitch - Term. Interface (in) 0.098 In  
 Pitch - Term. Interface (mm) 2.50 mm  
 Plating min: Mating (µin) 40  
 Plating min: Mating (µm) 1.00  
 Plating min: Termination (µin) 40  
 Plating min: Termination (µm) 1.00  
 Polarized to Mating Part No  
 Stackable No  
 Temperature Range - Operating -20°C to +85°C  
 Termination Interface: Style IDT or Pierce  
 Wire Size AWG 22, 24

**Electrical**

Current - Maximum per Contact 2A, 4A  
 Voltage - Maximum 32V AC

**Material Info**

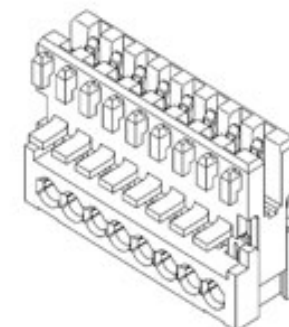


image - Reference only

Series

**EU RoHS**

**ELV and RoHS Compliant**  
**REACH SVHC Contains SVHC: No**  
**Halogen-Free Status**  
**Not Reviewed**

**China RoHS**



**Need more information on product environmental compliance?**

Email [productcompliance@molex.com](mailto:productcompliance@molex.com)  
 For a multiple part number RoHS Certificate of Compliance, [click here](#)

Please visit the [Contact Us](#) section for any non-product compliance questions.

**Search Parts in this Series**

[91716Series](#)

**Mates With**

Appli-Mate RAST 2.5 Header [90861](#) , [90860](#)

**Application Tooling | FAQ**

*Tooling specifications and manuals are found by selecting the products below. Crimp Height Specifications are then contained in the Application Tooling Specification document.*

**Global**

Description	Product #
RAST 2.5 Semi-Automatic Terminator Machine For Appli-Mate™ Connectors	<a href="#">0623006200</a>

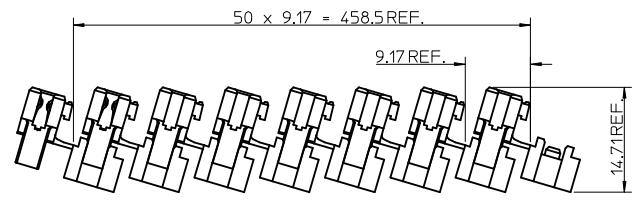
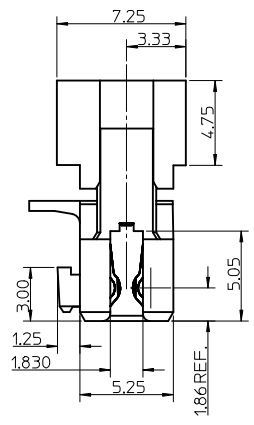
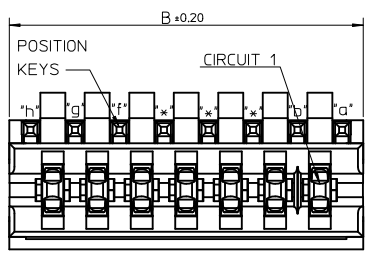
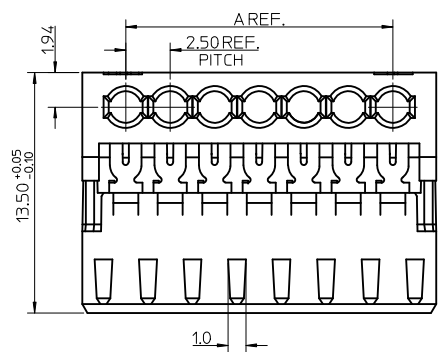
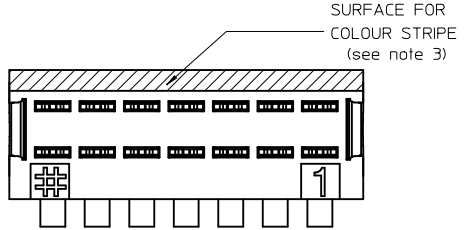
**Reference - Drawing Numbers**

Application Specification  
Sales Drawing

AS-99033-0008  
SD-91716-001

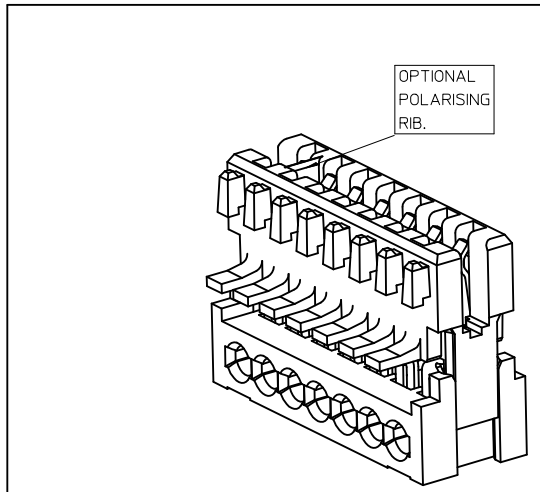
This document was generated on 05/27/2010

**PLEASE CHECK [WWW.MOLEX.COM](http://WWW.MOLEX.COM) FOR LATEST PART INFORMATION**



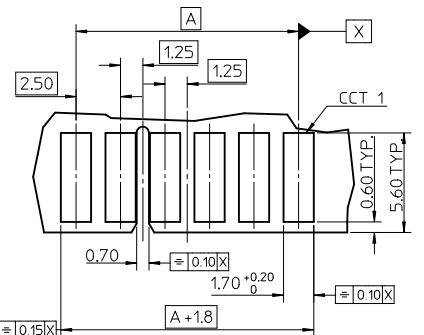
SHIPPING ARRANGEMENT  
SCALE 2:1

CCT	"A"	"B"
3	5.0	9.875
4	7.5	12.375
5	10.0	14.875
6	12.5	17.375
7	15.0	19.875
8	17.5	22.375
9	20.0	24.875
10	22.5	27.375
11	25.0	29.875
12	27.5	32.375
13	30.0	34.875
14	32.5	37.375
15	35.0	39.875
16	37.5	42.375
17	40.0	44.875
18	42.5	47.375
19	45.0	49.875
20	47.5	52.375



SEE SUBSEQUENT SHEETS FOR RELEVANT PART NUMBERS.

- NOTES:
- REFER TO PRODUCT SPECIFICATION: PS-99020-0040.
  - MATERIAL: HOUSING - NYLON PA6  
UL94-V0, COLOUR: NATURAL (WHITE).  
TERMINAL: PHOSPHOR BRONZE 0.30 REF. THICK - PLATING HOT TIN DIP.
  - COLOUR STRIPE IS OPTIONAL. AVAILABLE IN THE FOLLOWING COLOURS: RED, GREEN, BLUE.  
(BLACK SIGNIFIES CUSTOMER SPECIFIC CONFIGURATION).  
ASTERISK IN CHART INDICATES FULL AREA COVERED.
  - REFER TO PACKAGING SPEC (PK-90871-001)
  - REFER TO APPLICATION SPEC (AS-99033-0008)



- PCB LAYOUT FOR 6CCT CONNECTOR  
(WITH OPTIONAL POSITIONAL RIB SLOT BETWEEN CCT 4 & 5)  
- RECOMMENDED PCB THICKNESS 1.5±0.14

ADDED P/N'S ELC NO: E2010-0339 DFW: BMAGUIRE 2010/02/17 CHKD: JDENNEHY 2004/02/13 APPR: BMAGUIRE 2010/05/05	QUALITY SYMBOLS ▽=0 ▽=0	GENERAL TOLERANCES (UNLESS SPECIFIED)		DIMENSION STYLE MM ONLY		SCALE 5:1	DESIGN UNITS METRIC	THIRD ANGLE PROJECTION		
		mm	INCH	DRAWN BY	DATE	TITLE	APPLI-MATE 2.5 FEMALE (MATL: NYLON PA6)			
REV AD	DESCRIPTION	4 PLACES	± ---	± ---	NMCNAMAR	2004/02/12	MOLEX INCORPORATED			
		3 PLACES	± 0.05	± ---	CHECKED BY	DATE	DOCUMENT NO. SD-91716-001 SHEET NO. 1 OF 5			
		2 PLACES	± 0.10	± ---	JDENNEHY	2004/02/13	THIS DRAWING CONTAINS INFORMATION THAT IS PROPRIETARY TO MOLEX INCORPORATED AND SHOULD NOT BE USED WITHOUT WRITTEN PERMISSION			
		1 PLACE	± 0.2	± ---	APPROVED BY	DATE				
		ANGULAR ±1/2°		MATERIAL NO.						
		DRAFT WHERE APPLICABLE MUST REMAIN WITHIN DIMENSIONS		SEE SHEET 2-5						

### 3 CIRCUIT

MOLEX PART NO.	TERMINAL VOID POSITION	REMOVED POSITION KEYS	CONFIGURATION (SEE NOTE 1)	POLARIZING RIB	COLOUR STRIPE
91716-0001	NONE	NONE		NONE	NONE
91716-0002	NONE	a d		NONE	RED
91716-0013	NONE	a		NONE	NONE
91716-0014	NONE	b		NONE	NONE
91716-0015	NONE	c		NONE	NONE
91716-0016	NONE	d		NONE	NONE
91716-0017	NONE	b d		NONE	NONE
91716-0018	NONE	a c		NONE	NONE
91716-0019	NONE	a d		NONE	NONE
91716-0020	NONE	a b		NONE	NONE
91716-0021	NONE	b c		NONE	NONE
91716-0022	NONE	c d		NONE	NONE
91716-0023	CKT 2	b d		NONE	NONE
91716-0024	CKT 3	c		NONE	BLUE
91716-0034	NONE	NONE		BETWEEN CKT 1&2	NONE
91716-0041	NONE	NONE		BETWEEN CKT 2&3	NONE
91716-0042	CKT 1	NONE		NONE	NONE
91716-0043	CKT 1	c		NONE	NONE
91716-0044	NONE	b d		NONE	BLUE
91716-0045	NONE	b		NONE	BLUE
91716-0046	CKT 1	d		NONE	NONE
91716-0047	NONE	b d		NONE	RED

### 4 CIRCUIT

MOLEX PART NO.	TERMINAL VOID POSITION	REMOVED POSITION KEYS	CONFIGURATION (SEE NOTE 1)	POLARIZING RIB	COLOUR STRIPE
91716-0501	NONE	NONE		NONE	NONE
91716-0502	NONE	d		NONE	NONE
91716-0503	NONE	a d		NONE	NONE
91716-0504	NONE	c e		NONE	NONE
91716-0505	NONE	a		NONE	NONE
91716-0506	NONE	NONE		BETWEEN CKT 2&3	NONE
91716-0538	NONE	b		NONE	NONE
91716-0530	NONE	b c		NONE	NONE
91716-0539	NONE	a b		NONE	NONE
91716-0540	NONE	d e		NONE	NONE
91716-0541	NONE	ALL		NONE	NONE
91716-0542	NONE	a b e		NONE	NONE
91716-0507	CKT 1	NONE		NONE	NONE
91716-0543	NONE	NONE		BETWEEN CKT 3&4	RED
91716-0544	NONE	NONE		BETWEEN CKT 2&3	BLUE
91716-0545	NONE	d		NONE	BLUE
91716-0546	NONE	b		NONE	RED
91716-0547	NONE	b c		NONE	GREEN
91716-0548	NONE	c d		NONE	RED
91716-0549	NONE	a c e		NONE	NONE
91716-0550	NONE	NONE		BETWEEN CKT 1&2	NONE

### 4 CIRCUIT (continued)

MOLEX PART NO.	TERMINAL VOID POSITION	REMOVED POSITION KEYS	CONFIGURATION (SEE NOTE 1)	POLARIZING RIB	COLOUR STRIPE
91716-0551	NONE	NONE		NONE	GREEN*

#### NOTES

- + DENOTES TERMINAL VOIDED POSITION
  - DENOTES TERMINAL LOADED POSITION
  - | DENOTES POLARIZING RIB POSITION
- \* = COLOUR COVERS WHOLE AREA

<b>SEE SHEET 1</b> ELEC NO: E2010-0339 DRAWN BY: BMAGUIRE CHKD: DENNEHY APPR: BMAGUIRE 2010/02/17 2004/02/13 2010/05/05	QUALITY SYMBOLS = 0 = 0	GENERAL TOLERANCES (UNLESS SPECIFIED) <table border="1"> <tr> <th></th> <th>mm</th> <th>INCH</th> </tr> <tr> <td>4 PLACES</td> <td>± 0.10</td> <td>± 0.004</td> </tr> <tr> <td>3 PLACES</td> <td>± 0.05</td> <td>± 0.002</td> </tr> <tr> <td>2 PLACES</td> <td>± 0.10</td> <td>± 0.004</td> </tr> <tr> <td>1 PLACE</td> <td>± 0.2</td> <td>± 0.008</td> </tr> </table> ANGULAR ± 1/2°		mm	INCH	4 PLACES	± 0.10	± 0.004	3 PLACES	± 0.05	± 0.002	2 PLACES	± 0.10	± 0.004	1 PLACE	± 0.2	± 0.008	DIMENSION STYLE <b>MM ONLY</b>	SCALE 1:1	DESIGN UNITS METRIC	THIRD ANGLE PROJECTION
		mm	INCH																		
	4 PLACES	± 0.10	± 0.004																		
	3 PLACES	± 0.05	± 0.002																		
2 PLACES	± 0.10	± 0.004																			
1 PLACE	± 0.2	± 0.008																			
DRAWN BY: NMCNAMAR DATE: 2004/02/12 CHECKED BY: JDENNEHY DATE: 2004/02/13 APPROVED BY: BMAGUIRE DATE: 2004/02/16	TITLE <b>APPLI-MATE 2.5 FEMALE (MATL: NYLON PA6)</b>	MATERIAL NO. <b>SD-91716-001</b>	DOCUMENT NO. <b>SD-91716-001</b>	SHEET NO. 2 OF 5		MOLEX INCORPORATED															
DRAFT WHERE APPLICABLE MUST REMAIN WITHIN DIMENSIONS							SEE CHART	THIS DRAWING CONTAINS INFORMATION THAT IS PROPRIETARY TO MOLEX INCORPORATED AND SHOULD NOT BE USED WITHOUT WRITTEN PERMISSION													
SEE CHART							SEE CHART	SEE CHART													

### 5 CIRCUIT

MOLEX PART NO.	TERMINAL VOID POSITION	REMOVED POSITION KEYS	CONFIGURATION (SEE NOTE 1)	POLARIZING RIB	COLOUR STRIPE
91716-1001	NONE	NONE		NONE	NONE
91716-1002	NONE	ALL		BETWEEN CKT 3&4	NONE
91716-1003	NONE	NONE		BETWEEN CKT 4&5	NONE
91716-1004	NONE	c d		NONE	NONE
91716-1005	NONE	a		NONE	NONE
91716-1006	NONE	b		NONE	NONE
91716-1007	NONE	a b e f		NONE	NONE
91716-1008	NONE	NONE		BETWEEN CKT 2&3	NONE
91716-1009	CKT 2, 3, 4	NONE		NONE	NONE
91716-1010	CKT 2	c		NONE	NONE
91716-1011	CKT 2	d		NONE	NONE
91716-1012	CKT 2	b		NONE	NONE
91716-1013	CKT 2	a		NONE	NONE
91716-1014	NONE	b c d e		NONE	NONE
91716-1015	CKT 2,3,4	NONE		BETWEEN CKT 3&4	RED
91716-1016	CKT 2	b		NONE	RED
91716-1017	NONE	d e		NONE	NONE
91716-1018	NONE	a d f		NONE	NONE

### 6 CIRCUIT

MOLEX PART NO.	TERMINAL VOID POSITION	REMOVED POSITION KEYS	CONFIGURATION (SEE NOTE 1)	POLARIZING RIB	COLOUR STRIPE
91716-1501	NONE	NONE		NONE	NONE
91716-1502	NONE	ALL		BETWEEN CKT 3&4	NONE
91716-1503	NONE	c e f g		NONE	NONE
91716-1504	NONE	ALL		BETWEEN CKT 2&3	NONE
91716-1505	CKT 2, 5	d f		NONE	NONE
91716-1506	NONE	a b f g		NONE	NONE
91716-1507	NONE	e f		NONE	NONE
91716-1509	NONE	g		NONE	NONE
91716-1510	CKT 2	c f		NONE	NONE
91716-1511	CKT 2, 5	NONE		NONE	NONE
91716-1512	CKT 3, 5	NONE		NONE	NONE
91716-1513	CKT 2, 4	b d e f		NONE	NONE
91716-1514	CKT 3, 5	NONE		BETWEEN CKT 1&2	NONE
91716-1515	CKT 2, 5	NONE		BETWEEN CKT 2&3	NONE
91716-1516	NONE	c f		BETWEEN CKT 3&4	NONE
91716-1517	NONE	c e		NONE	NONE
91716-1518	CKT 2, 4	NONE		NONE	NONE
91716-1519	NONE	a c e		NONE	NONE
91716-1520	CKT 5	c e		NONE	NONE
91716-1521	CKT 2, 4, 5, 6	c e		NONE	NONE
91716-1522	CKT 2, 6	c e		NONE	NONE

### 6 CIRCUIT (continued)

MOLEX PART NO.	TERMINAL VOID POSITION	REMOVED POSITION KEYS	CONFIGURATION (SEE NOTE 1)	POLARIZING RIB	COLOR STRIPE
91716-1523	NONE	NONE		BETWEEN CKT 4&5	NONE
91716-1524	CKT 2, 4, 5, 6	NONE		NONE	NONE
91716-1525	CKT 2, 6	NONE		NONE	NONE
91716-1526	CKT 2, 5	NONE		NONE	NONE
91716-1527	CKT 2, 5	c e		NONE	NONE
91716-1528	CKT 2, 5	a b d f g		NONE	GREEN
91716-1529	NONE	d		NONE	NONE
91716-1531	CKT 1, 2, 3, 5	NONE		NONE	NONE
91716-1532	CKT 1, 2, 3, 5	d f		NONE	NONE
91716-1534	CKT 3, 4	b d f		NONE	NONE
91716-1535	CKT 4, 5	b d f		NONE	NONE
91716-1536	NONE	NONE		BETWEEN CKT 2&3	NONE
91716-1537	NONE	d		NONE	BLUE
91716-1538	CCT 2, 5	b d		NONE	NONE
91716-1539	CCT 5, 6	c f		NONE	NONE
91716-1540	CCT 2, 4	d e		NONE	GREEN
91716-1541	NONE	a f g		NONE	NONE
91716-1542	NONE	NONE		NONE	RED*
91716-1543	NONE	NONE		BETWEEN 5&6	NONE
91716-1544	NONE	c d e f g		NONE	RED*
91716-1545	NONE	d f		NONE	BLACK*

- NOTES
- + DENOTES TERMINAL VOIDED POSITION
    - DENOTES TERMINAL LOADED POSITION
    - | DENOTES POLARIZING RIB POSITION
  - \* = COLOUR COVERS WHOLE AREA

SEE SHEET 1 EC NO: E2010-0339 DRAWN BY: DRW:BMAGUIRE 2010/02/17 2004/02/13 CHKD: JENNEHY APPR: BMAGUIRE 2010/05/05 REV: AD	QUALITY SYMBOLS 	GENERAL TOLERANCES (UNLESS SPECIFIED) m/m INCH 4 PLACES ±.--- ±.--- 3 PLACES ±.05 ±.--- 2 PLACES ±.10 ±.--- 1 PLACE ±.2 ±.--- ANGULAR ±1/2°	DIMENSION STYLE MM ONLY DRAWN BY DATE NMCNAR 2004/02/12 CHECKED BY DATE JDENNEHY 2004/02/13 APPROVED BY DATE BMAGUIRE 2004/02/16	SCALE 1:1 DESIGN UNITS METRIC THIRD ANGLE PROJECTION	TITLE APPLI-MATE 2.5 FEMALE (MATL: NYLON PA6)	MATERIAL NO. SD-91716-001	SHEET NO. 3 OF 5	
	DRAFT WHERE APPLICABLE MUST REMAIN WITHIN DIMENSIONS		SEE CHART	MOLEX INCORPORATED				
	THIS DRAWING CONTAINS INFORMATION THAT IS PROPRIETARY TO MOLEX INCORPORATED AND SHOULD NOT BE USED WITHOUT WRITTEN PERMISSION							
	MOLEX INCORPORATED							

### 7 CIRCUIT

MOLEX PART NO.	TERMINAL VOID POSITION	REMOVED POSITION KEYS	CONFIGURATION (SEE NOTE 1)	POLARIZING RIB	COLOUR STRIPE
91716-2001	NONE	NONE		NONE	NONE
91716-2002	NONE	ALL		BETWEEN CKT 2&3	NONE
91716-2004	NONE	a		NONE	NONE
91716-2005	CKT 2	h		NONE	NONE
91716-2006	CKT 4	a		NONE	NONE
91716-2007	CKT 2	NONE		NONE	NONE
91716-2008	CKT 6	NONE		NONE	NONE
91716-2009	CKT 2	b c e g		NONE	BLUE
91716-2010	CKT 4 & 6	b d f		NONE	RED
91716-2011	CKT 4 & 6	b d f		NONE	BLUE
91716-2012	CKT 2	NONE		NONE	BLUE
91716-2013	CKT 2	b d e f h		NONE	BLUE
91716-2014	CKT 4 & 6	NONE		NONE	BLUE
91716-2015	CKT 4 & 6	c d e f h		NONE	BLUE
91716-2016	CKT 6	c d e f h		NONE	BLUE
91716-2017	CKT 6	c d e f		NONE	BLUE
91716-2018	CKT 6	NONE		NONE	BLUE
91716-2019	CKT 2	NONE		NONE	BLACK
91716-2020	NONE	a c e f h		NONE	NONE
91716-2021	NONE	a		NONE	BLACK*

### 8 CIRCUIT

MOLEX PART NO.	TERMINAL VOID POSITION	REMOVED POSITION KEYS	CONFIGURATION (SEE NOTE 1)	POLARIZING RIB	COLOUR STRIPE
91716-2501	NONE	NONE		NONE	NONE
91716-2502	NONE	NONE		BETWEEN CKT 3&4	NONE
91716-2503	NONE	c f h l		NONE	NONE
91716-2504	NONE	b c d h l		NONE	NONE
91716-2505	NONE	b c g h		NONE	BLUE
91716-2506	NONE	c f		NONE	NONE
91716-2507	NONE	c f h i		NONE	BLUE
91716-2508	NONE	NONE		NONE	BLUE
91716-2509	NONE	a c d e g i		NONE	BLUE
91716-2510	NONE	c d e f		NONE	BLUE
91716-2511	NONE	NONE		NONE	BLACK
91716-2512	NONE	c f h i		NONE	BLACK
91716-2513	NONE	c d g h		NONE	NONE
91716-2514	NONE	a c d e f g h i		NONE	BLUE
91716-2515	NONE	a b d f h i		NONE	NONE
91716-2516	NONE	b c d h i		NONE	BLUE*

### 9 CIRCUIT

MOLEX PART NO.	TERMINAL VOID POSITION	REMOVED POSITION KEYS	CONFIGURATION (SEE NOTE 1)	POLARIZING RIB	COLOUR STRIPE
91716-3001	NONE	NONE		NONE	NONE
91716-3002	NONE	NONE		BETWEEN CKT 4&5	NONE
91716-3003	CKT 2, 5, 8	NONE		NONE	NONE
91716-3004	NONE	NONE		BETWEEN CKT 2&3	NONE
91716-3005	CKT 2, 5, 8	b c e g i j		NONE	GREEN
91716-3006	CKT 2, 5, 8	NONE		NONE	GREEN
91716-3007	CKT 2, 5, 8	b c e f g i j		NONE	GREEN
91716-3008	CKT 2, 5, 8	b c e f g i		NONE	GREEN
91716-3009	CKT 2, 5, 7	c g		NONE	NONE
91716-3010	CKT 2, 5, 8	b c h i		NONE	NONE

### 10 CIRCUIT

MOLEX PART NO.	TERMINAL VOID POSITION	REMOVED POSITION KEYS	CONFIGURATION (SEE NOTE 1)	POLARIZING RIB	COLOUR STRIPE
91716-3501	NONE	NONE		NONE	NONE
91716-3502	NONE	ALL		BETWEEN CKT 2&3	NONE
91716-3503	CKT 2, 5, 7, 9	NONE		NONE	NONE
91716-3504	NONE	NONE		BETWEEN CKT 4&5	NONE

### 11 CIRCUIT

MOLEX PART NO.	TERMINAL VOID POSITION	REMOVED POSITION KEYS	CONFIGURATION (SEE NOTE 1)	POLARIZING RIB	COLOUR STRIPE
91716-4001	NONE	NONE		NONE	NONE

NOTES  
 1. + DENOTES TERMINAL VOIDED POSITION  
 ⊕ DENOTES TERMINAL LOADED POSITION  
 | DENOTES POLARIZING RIB POSITION  
 2. \* = COLOUR COVERS WHOLE AREA

SEE SHEET 1 ELEC NO: E2010-0339 DRAWN BY: DRWINBAGUIRE CHKD: DENNEHY APPR: BMAGUIRE DATE: 2010/02/17 DATE: 2004/02/13 DATE: 2010/05/05	QUALITY SYMBOLS ▽=0 ▽=0	GENERAL TOLERANCES (UNLESS SPECIFIED) mm INCH 4 PLACES ±.--- ±.--- 3 PLACES ±0.05 ±.--- 2 PLACES ±0.10 ±.--- 1 PLACE ±0.2 ±.--- ANGULAR ±1/2°	DIMENSION STYLE MM ONLY DRAWN BY DATE NMCNAMAR 2004/02/12 CHECKED BY DATE JDENNEHY 2004/02/13 APPROVED BY DATE BMAGUIRE 2004/02/16	SCALE 1:1 DESIGN UNITS METRIC THIRD ANGLE PROJECTION	TITLE APPLI-MATE 2.5 FEMALE (MATL: NYLON PA6)	
	DRAFT WHERE APPLICABLE MUST REMAIN WITHIN DIMENSIONS			MATERIAL NO. SEE CHART	DOCUMENT NO. SD-91716-001	SHEET NO. 4 OF 5
	THIS DRAWING CONTAINS INFORMATION THAT IS PROPRIETARY TO MOLEX INCORPORATED AND SHOULD NOT BE USED WITHOUT WRITTEN PERMISSION					
	MOLEX INCORPORATED					

### 12 CIRCUIT

MOLEX PART NO.	TERMINAL VOID POSITION	REMOVED POSITION KEYS	CONFIGURATION (SEE NOTE 1)	POLARIZING RIB	COLOUR STRIPE
91716-4501	NONE	NONE		NONE	NONE
91716-4502	CKT 2 5 8 11	b c d e j k l		NONE	GREEN
91716-4503	CKT 2 5 8 11	NONE		NONE	GREEN
91716-4504	CKT 2 5 8 11	a c d e g h i k l m		NONE	GREEN
91716-4505	CKT 2 5 8 11	c d e g h i k l m		NONE	GREEN

### 13 CIRCUIT

MOLEX PART NO.	TERMINAL VOID POSITION	REMOVED POSITION KEYS	CONFIGURATION (SEE NOTE 1)	POLARIZING RIB	COLOUR STRIPE
91716-5001	NONE	NONE		NONE	NONE
91716-5002	CKT 4, 6, 8, 10, 12	NONE		NONE	NONE
91716-5003	NONE	c f h i k l		NONE	NONE

### 14 CIRCUIT

MOLEX PART NO.	TERMINAL VOID POSITION	REMOVED POSITION KEYS	CONFIGURATION (SEE NOTE 1)	POLARIZING RIB	COLOUR STRIPE
91716-5501	NONE	NONE		NONE	NONE

### 15 CIRCUIT

MOLEX PART NO.	TERMINAL VOID POSITION	REMOVED POSITION KEYS	CONFIGURATION (SEE NOTE 1)	POLARIZING RIB	COLOUR STRIPE
91716-6001	NONE	NONE		NONE	NONE
91716-6002	CKT 4, 6, 8, 10, 12, 14	o p		NONE	NONE

### 16 CIRCUIT

MOLEX PART NO.	TERMINAL VOID POSITION	REMOVED POSITION KEYS	CONFIGURATION (SEE NOTE 1)	POLARIZING RIB	COLOUR STRIPE
91716-6501	NONE	NONE		NONE	NONE

### 17 CIRCUIT

MOLEX PART NO.	TERMINAL VOID POSITION	REMOVED POSITION KEYS	CONFIGURATION (SEE NOTE 1)	POLARIZING RIB	COLOUR STRIPE
91716-7001	NONE	NONE		NONE	NONE

### 18 CIRCUIT

MOLEX PART NO.	TERMINAL VOID POSITION	REMOVED POSITION KEYS	CONFIGURATION (SEE NOTE 1)	POLARIZING RIB	COLOUR STRIPE
91716-7501	NONE	NONE		NONE	NONE

### 19 CIRCUIT

MOLEX PART NO.	TERMINAL VOID POSITION	REMOVED POSITION KEYS	CONFIGURATION (SEE NOTE 1)	POLARIZING RIB	COLOUR STRIPE
91716-8001	NONE	NONE		NONE	NONE

### 20 CIRCUIT

MOLEX PART NO.	TERMINAL VOID POSITION	REMOVED POSITION KEYS	CONFIGURATION (SEE NOTE 1)	POLARIZING RIB	COLOUR STRIPE
91716-8501	NONE	NONE		NONE	NONE

NOTES:

- + DENOTES TERMINAL VOIDED POSITION
  - DENOTES TERMINAL LOADED POSITION
  - | DENOTES POLARIZING RIB POSITION

SEE SHEET 1 LEC NO: E2010-0339 DRWN: BMAGUIRE CHKD: DENNEHY APPR: BMAGUIRE	2010/02/17 2010/02/13 2010/05/05	QUALITY SYMBOLS 	GENERAL TOLERANCES (UNLESS SPECIFIED) m/m    INCH 4 PLACES ± .05    ± .002 3 PLACES ± 0.05    ± .002 2 PLACES ± 0.10    ± .004 1 PLACE ± 0.2    ± .008 ANGULAR ± 1/2°	DIMENSION STYLE MM ONLY DRAWN BY DATE NMCNAR 2004/02/12 CHECKED BY DATE JDENNEHY 2004/02/13 APPROVED BY DATE BMAGUIRE 2004/02/16	SCALE 1:1 DESIGN UNITS METRIC THIRD ANGLE PROJECTION	TITLE APPLI-MATE 2.5 FEMALE (MATL: NYLON PA6)	MATERIAL NO. SD-91716-001	SHEET NO. 5 OF 5	
	DRAFT WHERE APPLICABLE MUST REMAIN WITHIN DIMENSIONS			SEE CHART	MOLEX INCORPORATED				
	INCORPORATED AND SHOULD NOT BE USED WITHOUT WRITTEN PERMISSION			MOLEX INCORPORATED				DOCUMENT NO. SD-91716-001	
	AD			THIS DRAWING CONTAINS INFORMATION THAT IS PROPRIETARY TO MOLEX				INCORPORATED AND SHOULD NOT BE USED WITHOUT WRITTEN PERMISSION	