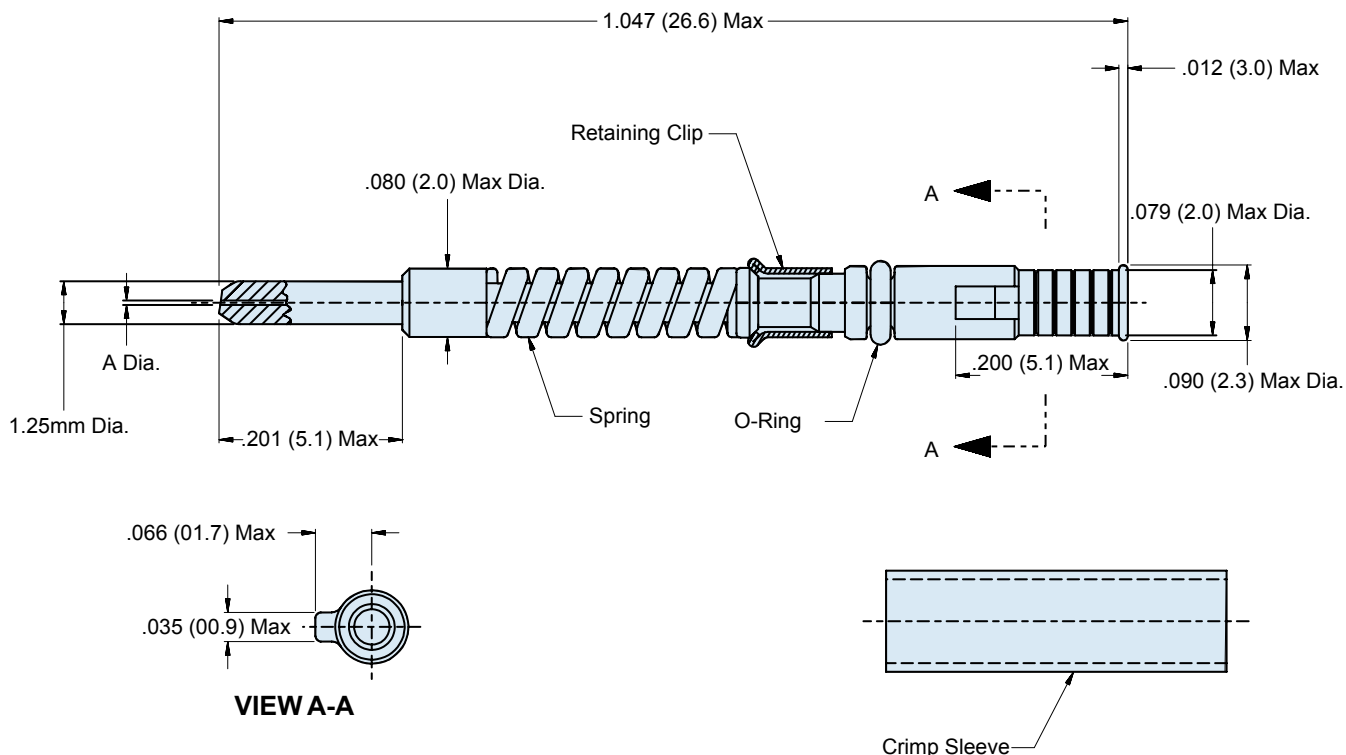
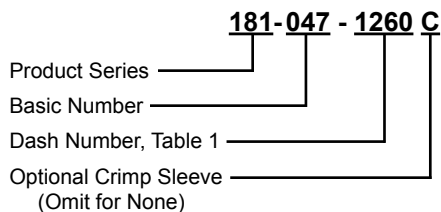




**181-047**  
**GHD • Glenair High Density**  
**Fiber Optic Connection System**  
**18 AWG Keyed Pin Terminus for APC Polish**



**APPLICATION NOTES**

- |  |   |
|--|---|
| <p>1. Material/ Finishes:<br/>                 Ferrule: Zirconia Ceramic/ N.A.<br/>                 Terminus Assembly: Stainless Steel/ Passivate<br/>                 Retaining Clip: Spring Alloy<br/>                 Spring: High Tensile Stainless Steel/ Passivate<br/>                 O-Ring: Fluorosilicone<br/>                 Crimp Sleeve: Brass Alloy/Nickel</p> | <p>2. Assembly packaged in plastic bag and tag identified with manufacturer's name and part number.<br/>                 3. Crimp Sleeve (265-002) may be ordered separately.</p> |
|--|---|

**181-047**  
**GHD • Glenair High Density**  
**Fiber Optic Connection System**  
**18 AWG Keyed Pin Terminus for APC Polish**



**TABLE I: DASH NUMBER**

Assembly Dash Number	A Dia. Microns	Fiber Type
181-047-1250	125.0	SM
181-047-1255	125.5	SM
181-047-1260	126.0	SM & MM
181-047-1270	127.0	MM
181-047-1420	142.0	MM
181-047-1450	145.0	MM
181-047-1560	156.0	MM
181-047-1570	157.0	MM
181-047-1730	173.0	MM
181-047-1750	175.0	MM
181-047-2360	236.0	MM
181-047-2850	285.0	MM
181-047-4480	448.0	MM

SM = Singlemode  
MM = Multimode

**TABLE II: TERMINUS ACCESSORIES**

Part Number	Accessory
182-018	Polishing Tool, PC*
182-012	Crimp Tool
182-019	Insertion Tool, Straight
182-011-18	Removal Tool

\* Consult Factory for APC Polishing Tool