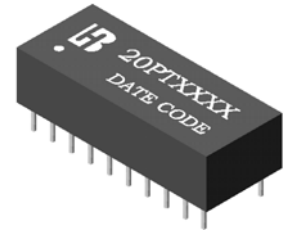


## 10/100 BASE DUAL PORT TRANSFORMERS MDIX

462 Boston St - Topsfield, MA 01983 - Phone: 978-887-8050 - Fax: 978-887-5434

- IEEE 802.3 Ethernet compatible, 100 BASE-TX
- 20 PIN DIP package compatible with popular IC Chips
- Design for multiport repeater and Ethernet switching HUB Application
- Customer designs available for specific application
- Storage temperature range: -40°C to +100°C.



### Electrical Specifications @ 25°C Operating Temperature range: 0°C to +70°C

Isolation Voltage : 1500 Vrms

OCL(100KHz, 0.1Vrms with 8mA/DC Bias) : 350  $\mu$  H Min.

Leakage Inductance(1MHz) : 0.5  $\mu$  H Max.

Cw/w : 50 pF Max.

DCR : 0.9 $\Omega$  Max.

Rise Time : 2.5nS Typ.

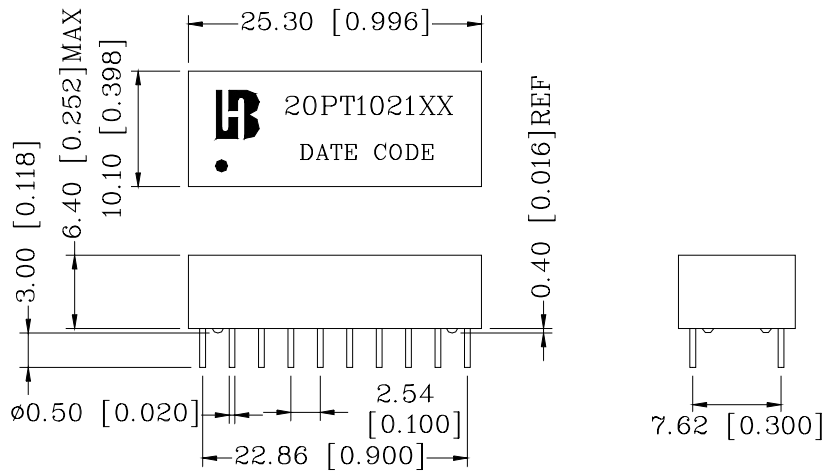
Part Number	Turns Ratio ( $\pm 5\%$ )		Insertion Loss (dB Max) 0.3~100MHz	Return Loss (dB Min)			Cross talk (dB Min) 0.3-100 MH	CMRR (dB Min) 0.3-100 MHz	Mech.
	Transmit	Receive		0.3-30MHz	30-60MHz	60-80MHz			
20PT1021AX	1CT:1CT	1CT:1CT	-1.15	-18	-14	-12	-38	-40	DP1
20PT1021CX	1CT:1CT	1CT:1CT	-1.15	-18	-14	-12	-38	-40	DP1
20PT1021FX	1CT:1CT	1CT:1CT	-1.15	-18	-14	-12	-38	-40	DP1
20PT1021GX	1CT:1CT	1CT:1CT	-1.15	-18	-14	-12	-38	-40	DP1
20PT1021IX	1CT:1CT	1CT:1CT	-1.15	-18	-14	-12	-38	-40	DP1
20PT1021SX	1CT:1CT	1CT:1CT	-1.15	-18	-14	-12	-38	-40	DP2
20PT1021X	1CT:1CT	1CT:1CT	-1.15	-18	-14	-12	-38	-40	DP1
20PT1021X1	1CT:1CT	1CT:1CT	-1.15	-18	-14	-12	-38	-40	DP1
20PT1024SX	1CT:1CT	1CT:1CT	-1.1	-18	-14	-12	-35	-40	DP1
20PT1024X	1CT:1CT	1CT:1CT	-1.1	-18	-14	-12	-38	-40	DP1

# 10/100 BASE DUAL PORT TRANSFORMERS MDIX

462 Boston St - Topsfield, MA 01983 - Phone: 978-887-8050 - Fax: 978-887-5434

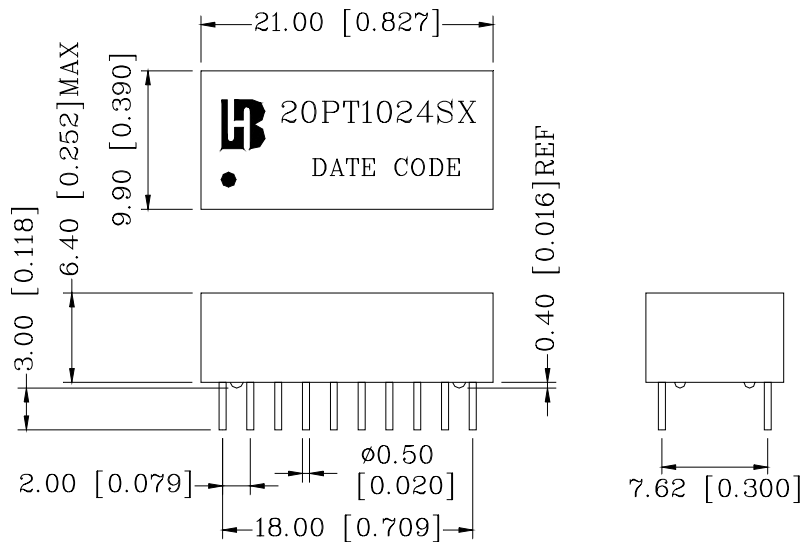
## Mechanicals

### DP1



Units: mm[Inches] Tolerance: xx.x0 $\pm$ 0.25[0.010]  
0.xx $\pm$ 0.05[0.002]

### DP2



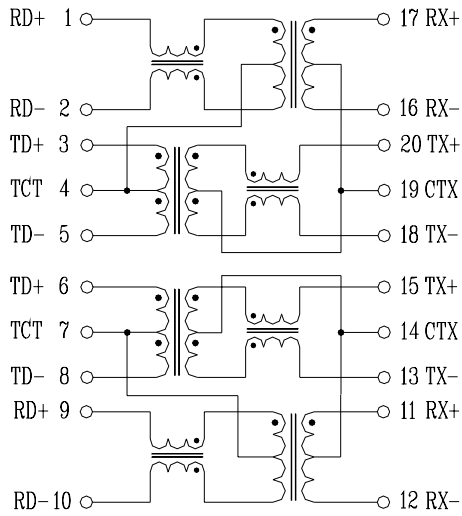
Units: mm[Inches] Tolerance: xx.x0 $\pm$ 0.25[0.010]  
0.xx $\pm$ 0.05[0.002]

**10/100 BASE DUAL PORT TRANSFORMERS MDIX**

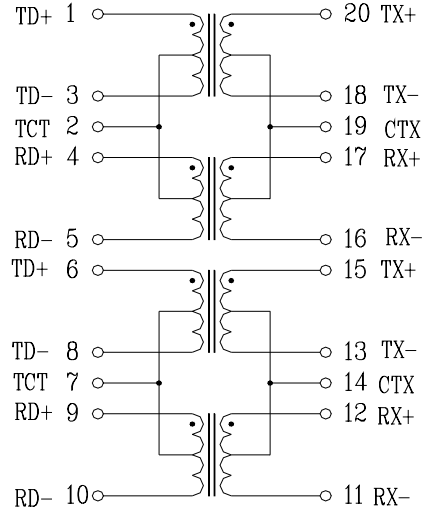
462 Boston St - Topsfield, MA 01983 - Phone: 978-887-8050 - Fax: 978-887-5434

**Schematics**

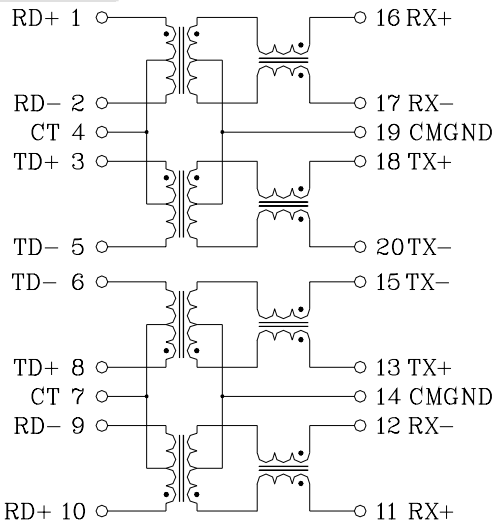
**20PT1021AX**



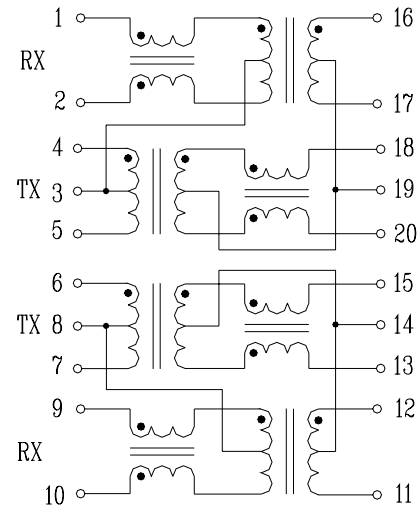
**20PT1021CX**



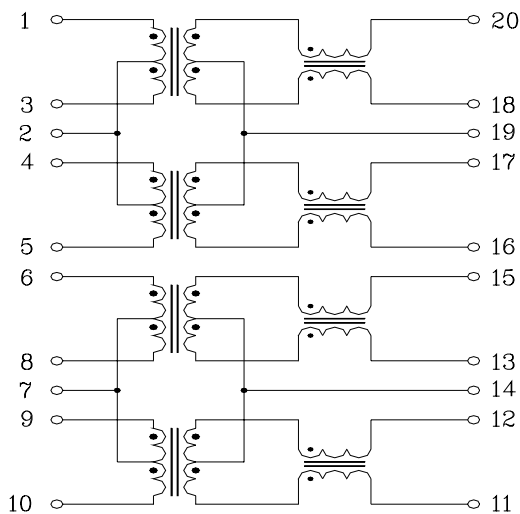
**20PT1021FX**



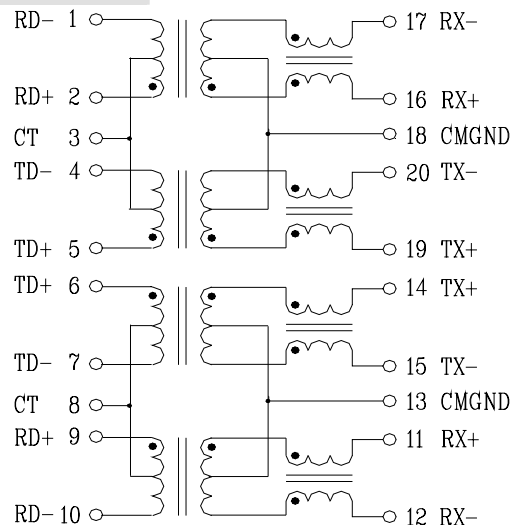
**20PT1021GX**



**20PT1021IX**



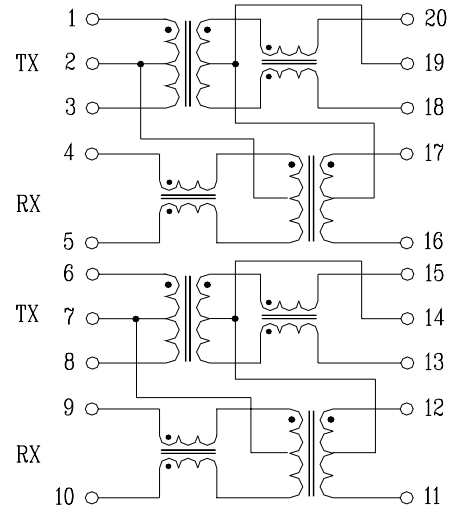
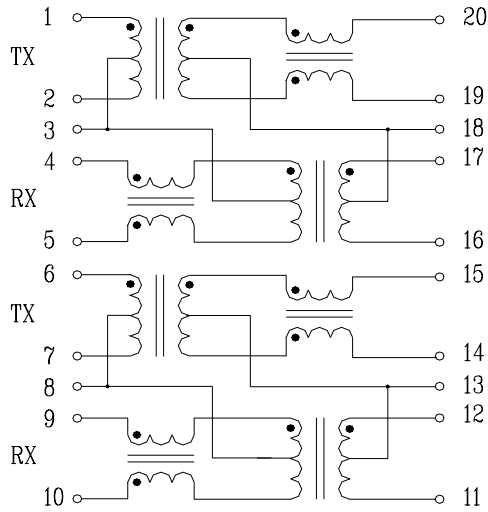
**20PT1021SX**



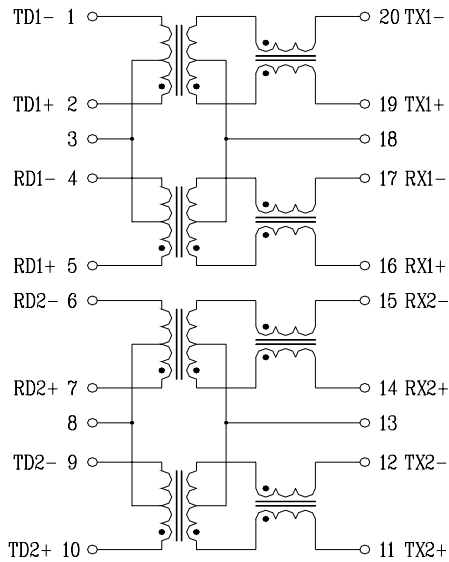
**10/100 BASE DUAL PORT TRANSFORMERS MDIX**

462 Boston St - Topsfield, MA 01983 - Phone: 978-887-8050 - Fax: 978-887-5434

**20PT1021X1**



**20PT1024SX**



**20PT1024X**

