

PLEASE CHECK WWW.MOLEX.COM FOR LATEST PART INFORMATION

Part Number: [0365110098](#)
Status: **Active**
Overview: [din_41612](#)
Description: 2.54mm (.100") Pitch DIN 41612 Header, Through Hole, Vertical, 0.60µm (24µ") Gold (Au) Plating, Tail Length 2.90mm (.114"), 64 Circuits

Documents:

[Drawing \(PDF\)](#) [RoHS Certificate of Compliance \(PDF\)](#)
[Product Specification PS-36511-001 \(PDF\)](#)

General

Product Family	Backplane Connectors
Series	36511
Application	Backplane
Comments	No Mounting Clip
Component Type	PCB Header
Overview	din_41612
Product Name	IEC 603-2/DIN 41612
Style	R

Physical

Circuits (Loaded)	64
Circuits (maximum)	64
Circuits Detail	1,2,3,...32; a+c
Color - Resin	Gray
Durability (mating cycles max)	400
First Mate / Last Break	No
Guide to Mating Part	No
Keying to Mating Part	None
Material - Metal	Brass
Material - Plating Mating	Gold
Material - Plating Termination	Tin
Material - Resin	Polyester
Number of Columns	32
Number of Pairs	Open Pin Field
Number of Rows	2
Orientation	Vertical
PC Tail Length (in)	0.114 In
PC Tail Length (mm)	2.90 mm
PCB Locator	No
PCB Retention	Yes
PCB Thickness Recommended (in)	0.062 In
PCB Thickness Recommended (mm)	1.60 mm
Packaging Type	Carton
Pitch - Mating Interface (in)	0.100 In
Pitch - Mating Interface (mm)	2.54 mm
Pitch - Term. Interface (in)	0.100 In
Pitch - Term. Interface (mm)	2.54 mm
Plating min: Mating (µin)	24
Plating min: Mating (µm)	0.60
Polarized to PCB	No
Stackable	No
Surface Mount Compatible (SMC)	No
Temperature Range - Operating	-55°C to +125°C

Electrical

EU RoHS **China RoHS**

Compliance Status

Not Reviewed

REACH SVHC

Not Reviewed

Halogen-Free

Status

Not Reviewed

Need more information on product environmental compliance?

Email productcompliance@molex.com
 For a multiple part number RoHS Certificate of Compliance, [click here](#)

Please visit the [Contact Us](#) section for any non-product compliance questions.

Search Parts in this Series

[36511Series](#)

Current - Maximum per Contact	1A
Data Rate	622.0 Mbps
Voltage - Maximum	1000V (RMS)

Material Info

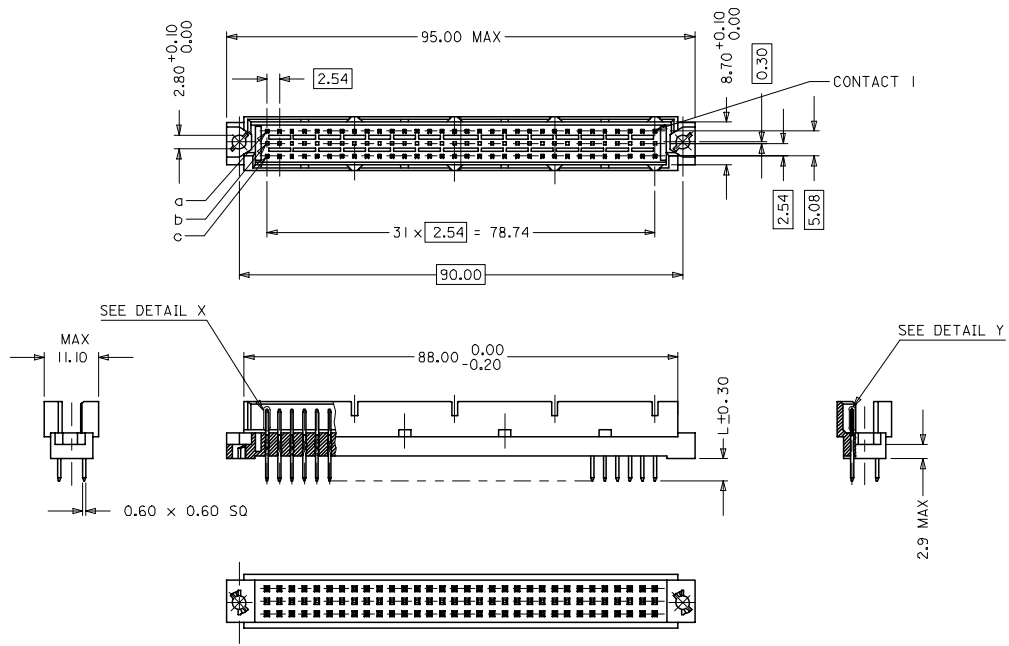
Old Part Number	MMB1501R963
-----------------	-------------

Reference - Drawing Numbers

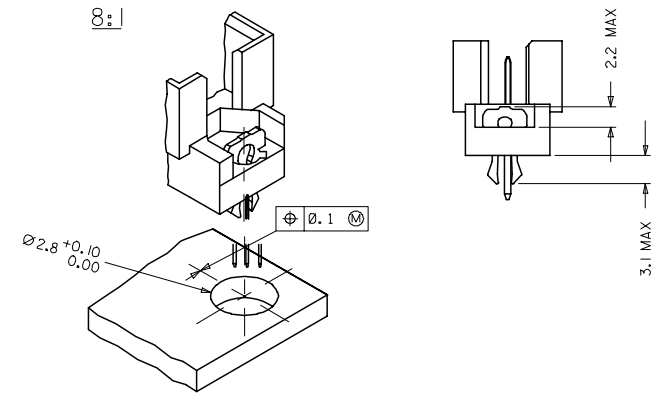
Packaging Specification	PK-36511-001
Product Specification	PS-36511-001
Sales Drawing	SD-36511-004

This document was generated on 05/13/2010

PLEASE CHECK WWW.MOLEX.COM FOR LATEST PART INFORMATION

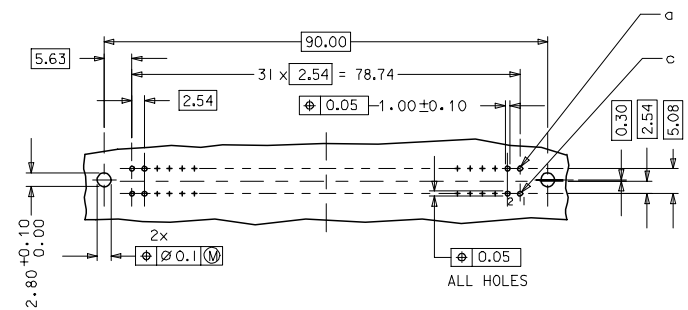


WITH MOUNTING CLIPS



- NOTES:
- 1) MATERIALS: THERMOPLASTIC POLYESTER, GLASS FILLED, UL94V-0, COLOUR: PEBBLE GREY RAL 7032
TERMINAL - BRASS
MOUNTING CLIP: STEEL
 - 2) FINISH: TERMINAL:-
CONTACT AREA
1. PERFORMANCE LEVEL 1: SELECTIVE GOLD (Au), THICKNESS = 1.1 MICROMETER
OVER NICKEL, THICKNESS = 1.25 MICROMETER
2. PERFORMANCE LEVEL 2: SELECTIVE GOLD (Au), THICKNESS = 0.6 MICROMETER
OVER NICKEL, THICKNESS = 1.25 MICROMETER
3. PERFORMANCE LEVEL 3: SELECTIVE GOLD (Au), THICKNESS = 0.3 MICROMETER
OVER NICKEL, THICKNESS = 1.25 MICROMETER
TERMINATION AREA:
SELECTIVE TIN, THICKNESS = 2.5 MICROMETER
OVER NICKEL, THICKNESS = 1.25 MICROMETER OVERALL
 - 3) MOUNTING CLIP:-
TIN (Sn), THICKNESS = 5-10 MICROMETER,
OVER NICKEL (Ni), THICKNESS = 2.5 MICROMETER
 - 4) FOR NON MOUNTING CLIP OPTION, CONNECTOR TO BE SECURED WITH
RIVETS: 2 TUBULAR RIVETS 2.5 x 0.3 ... DIN 7340
SCREWS: 2 CHEESEHEAD SCREWS M2.5 x ... DIN 84 AND 2 HEXAGONAL NUTS M2.5 DIN 934
 - 5) MATERIAL NUMBER, BATCH CODE, UL AND CSA MARKING
TO BE PRINTED ON THE CONNECTOR
 - 6) CUT FACE OF TIP WITHOUT PLATING PERMITTED
 - 7) PRODUCT SPECIFICATION PS : 36511-001

RECOMMENDED PCB LAYOUT
COMPONENT SIDE

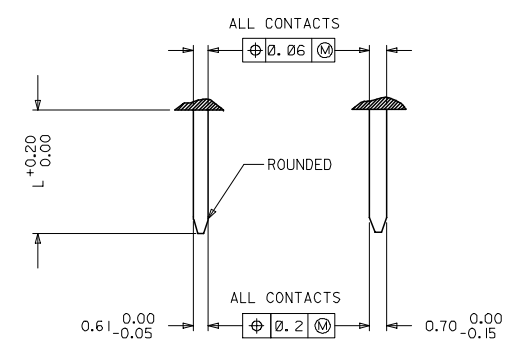


RoHS COMPLIANT

EC No: P2007-0044 DRWNGSATTI/MARAD 2006/10/10 CHKDSSUDHIR 2006/10/11 APPR3SSUDHIR 2006/10/17	QUALITY SYMBOLS ▽=0 ▽=0	GENERAL TOLERANCES (UNLESS SPECIFIED)		DIMENSION STYLE MM ONLY		SCALE 2:1	DESIGN UNITS METRIC	THIRD ANGLE PROJECTION
		4 PLACES ± --- ± --- 3 PLACES ± 0.05 ± --- 2 PLACES ± 0.1 ± --- 1 PLACE ± 0.15 ± ---	INCH ± --- ± --- ± ---	DRAWN BY SS	DATE 1999/09/24	TITLE ASSEMBLY, DIN 41612 R MALE 64 SOLDER	MATERIAL NO. SEE CHART	DOCUMENT NO. SD-36511-004
DRAFT WHERE APPLICABLE MUST REMAIN WITHIN DIMENSIONS		THIS DRAWING CONTAINS INFORMATION THAT IS PROPRIETARY TO MOLEX INCORPORATED AND SHOULD NOT BE USED WITHOUT WRITTEN PERMISSION						

	20	19	18	17	16	15	14	13	12	11	10	9	8	7	6	5	4	3	2	1	
MATERIAL No.	MOLEX ENG No.	PERF LEVEL	PLATING	CONTACT SEQUENCE/ROW	DIM "L" MM	MOUNTING CLIP	FMLB														
36511-0097	MM-B1401-R963	1	Au + Ni	1,2,3...32 a+c	2.9	NO	NO														
36511-0098	MM-B1501-R963	2	Au + Ni	1,2,3...32 a+c	2.9	NO	NO														
36511-0099	MM-B1601-R963	3	Au + Ni	1,2,3...32 a+c	2.9	NO	NO														
36511-0103	MM-B1401-R913	1	Au + Ni	1,2,3...32 a+c	2.9	YES	NO														
36511-0104	MM-B1501-R913	2	Au + Ni	1,2,3...32 a+c	2.9	YES	NO														
36511-0105	MM-B1601-R913	3	Au + Ni	1,2,3...32 a+c	2.9	YES	NO														
36511-0109	MM-B1401-R933	1	Au + Ni	1,2,3...32 a+c	2.9	NO	1,32a 1,32c														
36511-0110	MM-B1501-R933	2	Au + Ni	1,2,3...32 a+c	2.9	NO	1,32a 1,32c														
36511-0111	MM-B1601-R933	3	Au + Ni	1,2,3...32 a+c	2.9	NO	1,32a 1,32c														
36511-0115	MM-B1401-R953	1	Au + Ni	1,2,3...32 a+c	2.9	YES	1,32a 1,32c														
36511-0116	MM-B1501-R953	2	Au + Ni	1,2,3...32 a+c	2.9	YES	1,32a 1,32c														
36511-0117	MM-B1601-R953	3	Au + Ni	1,2,3...32 a+c	2.9	YES	1,32a 1,32c														
36511-0121	MM-B1402-R963	1	Au + Ni	1,2,3...32 a+c	4.5	NO	NO														
36511-0122	MM-B1502-R963	2	Au + Ni	1,2,3...32 a+c	4.5	NO	NO														
36511-0123	MM-B1602-R963	3	Au + Ni	1,2,3...32 a+c	4.5	NO	NO														
36511-0127	MM-B1402-R913	1	Au + Ni	1,2,3...32 a+c	4.5	YES	NO														
36511-0128	MM-B1502-R913	2	Au + Ni	1,2,3...32 a+c	4.5	YES	NO														
36511-0129	MM-B1602-R913	3	Au + Ni	1,2,3...32 a+c	4.5	YES	NO														
36511-0133	MM-B1402-R933	1	Au + Ni	1,2,3...32 a+c	4.5	NO	1,32a 1,32c														
36511-0134	MM-B1502-R933	2	Au + Ni	1,2,3...32 a+c	4.5	NO	1,32a 1,32c														
36511-0135	MM-B1602-R933	3	Au + Ni	1,2,3...32 a+c	4.5	NO	1,32a 1,32c														
36511-0139	MM-B1402-R953	1	Au + Ni	1,2,3...32 a+c	4.5	YES	1,32a 1,32c														
36511-0140	MM-B1502-R953	2	Au + Ni	1,2,3...32 a+c	4.5	YES	1,32a 1,32c														
36511-0141	MM-B1602-R953	3	Au + Ni	1,2,3...32 a+c	4.5	YES	1,32a 1,32c														

DETAILY DETAILX



PRE MATING CONTACTS	5.4
NORMAL CONTACTS	4.8
	L

RoHS COMPLIANT

EC No: 2007/0044 DRWNGATTI/MARAD 2006/10/10 CHKDSSUDHIR 2006/10/11 APPR:SSUDHIR 2006/10/17	QUALITY SYMBOLS ▽=0 ▽=0	GENERAL TOLERANCES (UNLESS SPECIFIED) mm INCH		DIMENSION STYLE MM ONLY		SCALE	DESIGN UNITS	THIRD ANGLE PROJECTION	
		4 PLACES ±	±	SS	DATE	2:1	METRIC		
REV B1	DESCRIPTION	3 PLACES ± 0.05	±	CHECKED BY	DATE	ASSEMBLY, DIN 41612 R MALE 64 POS SOLDER			
		2 PLACES ± 0.1	±	GJ LOWE	1999/09/24	MOLEX INCORPORATED			
		1 PLACE ± 0.15	±	APPROVED BY	DATE	MATERIAL NO. SEE CHART		DOCUMENT NO.	SHEET NO.
		ANGULAR ± 2°		DRAFT WHERE APPLICABLE MUST REMAIN WITHIN DIMENSIONS		GJ LOWE 1999/09/24		SD-36511-004	2 OF 2
THIS DRAWING CONTAINS INFORMATION THAT IS PROPRIETARY TO MOLEX INCORPORATED AND SHOULD NOT BE USED WITHOUT WRITTEN PERMISSION									