

**PLEASE CHECK WWW.MOLEX.COM FOR LATEST PART INFORMATION**

**Part Number:** [0365840002](#)  
**Status:** **Active**  
**Overview:** [din\\_41612](#)  
**Description:** 2.54mm (0.100") Pitch DIN 41612 Receptacle, Right Angle, Through Hole, Solder Type, 0.8µm (30µ") Selective Gold (Au), 160 circuits, Lead Free

**Documents:**

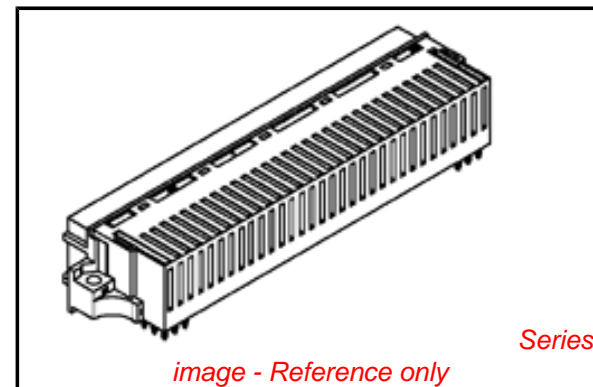
[Drawing \(PDF\)](#) [RoHS Certificate of Compliance \(PDF\)](#)  
[Product Specification PS-36582-001 \(PDF\)](#)

**General**

Product Family	Backplane Connectors
Series	<a href="#">36584</a>
Application	Daughtercard
Comments	"R" at style represents Right Angle Female DIN Connector
Component Type	PCB Receptacle
Overview	<a href="#">din_41612</a>
Product Name	IEC 603-2/DIN 41612
Style	R

**Physical**

Circuits (Loaded)	160
Circuits (maximum)	160
Circuits Detail	160
Durability (mating cycles max)	400
First Mate / Last Break	No
Guide to Mating Part	Yes
Keying to Mating Part	Yes
Material - Metal	Phosphor Bronze
Material - Plating Mating	Gold
Material - Plating Termination	Tin
Number of Columns	32
Number of Pairs	Open Pin Field
Number of Rows	5
Orientation	Right Angle
PC Tail Length (in)	0.118 In
PC Tail Length (mm)	3.00 mm
PCB Locator	No
PCB Retention	Yes
PCB Thickness Recommended (in)	0.063 In
PCB Thickness Recommended (mm)	1.60 mm
Packaging Type	Bag
Pitch - Mating Interface (in)	0.100 In
Pitch - Mating Interface (mm)	2.54 mm
Pitch - Term. Interface (in)	0.100 In
Pitch - Term. Interface (mm)	2.54 mm
Plating min: Mating (µin)	30
Plating min: Mating (µm)	0.75
Plating min: Termination (µin)	100
Plating min: Termination (µm)	2.5
Polarized to PCB	Yes
Stackable	No
Surface Mount Compatible (SMC)	No
Temperature Range - Operating	-55°C to +125°C
Termination Interface: Style	Through Hole



**EU RoHS**

**ELV and RoHS  
Compliant**  
**REACH SVHC  
Not Reviewed**  
**Halogen-Free  
Status  
Not Reviewed**

**China RoHS**



**Need more information on product environmental compliance?**

Email [productcompliance@molex.com](mailto:productcompliance@molex.com)  
 For a multiple part number RoHS Certificate of Compliance, [click here](#)

Please visit the [Contact Us](#) section for any non-product compliance questions.

**Search Parts in this Series**

[36584Series](#)

**Mates With**

[36587 Series R Male Press fit Headers](#)

**Electrical**

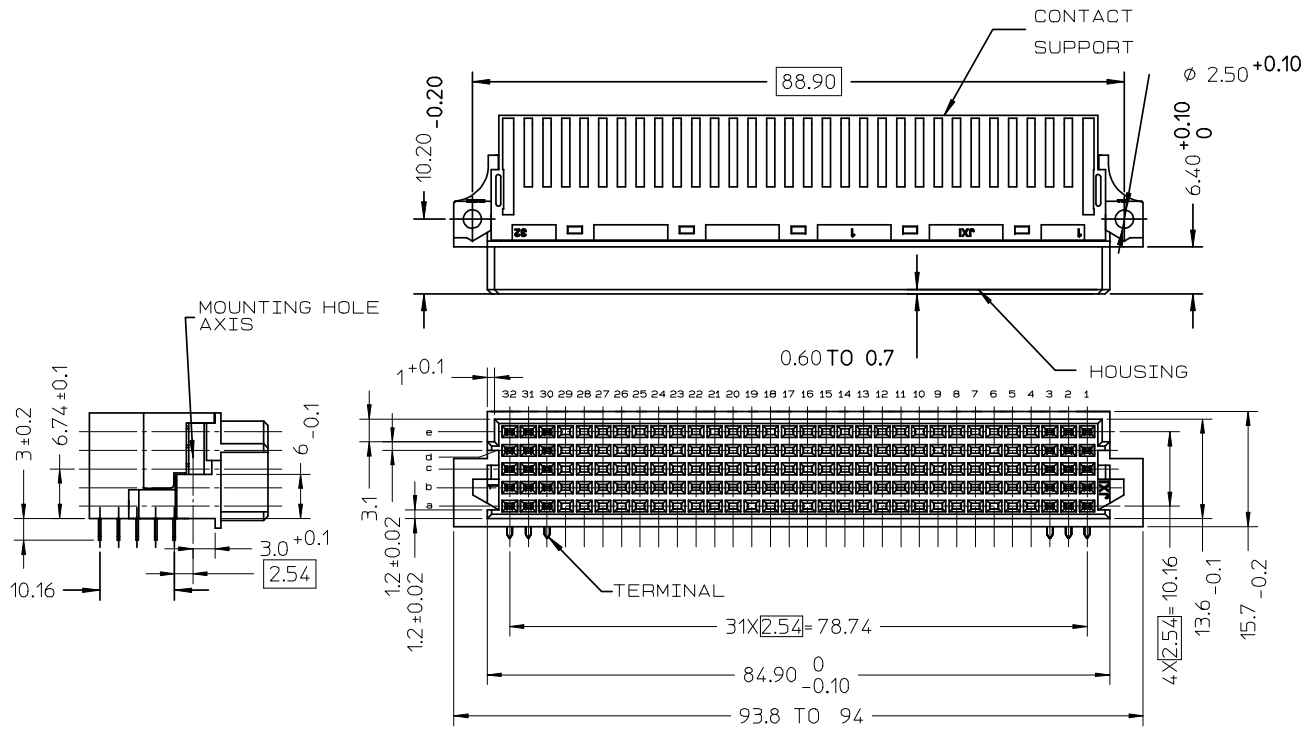
Current - Maximum per Contact	1A
Data Rate	622.0 Mbps
Real Signals (per 25mm)	49
Shielded	No
Voltage - Maximum	250V AC (RMS)

**Material Info****Reference - Drawing Numbers**

Packaging Specification	PK-36584-001
Product Specification	PS-36582-001
Sales Drawing	SD-36584-001

This document was generated on 05/13/2010

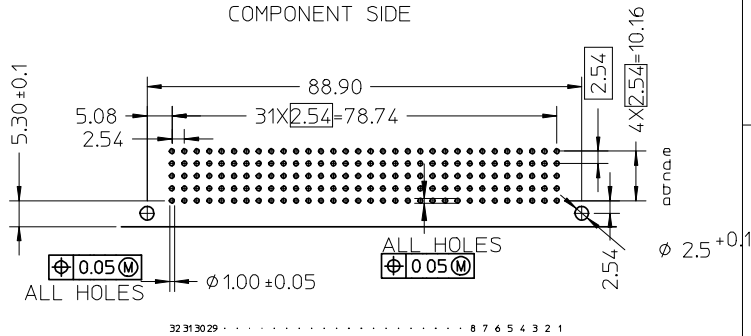
**PLEASE CHECK [WWW.MOLEX.COM](http://WWW.MOLEX.COM) FOR LATEST PART INFORMATION**



NOTES :

- MATERIALS:  
HOUSING AND CONTACT SUPPORT- THERMOPLASTIC POLYESTER, GLASS FILLED, UL94V-0.  
COLOUR: BLACK.  
TERMINAL - PHOSPHOR BRONZE.
- FINISH: TERMINAL:-  
CONTACT AREA  
2.1 PERFORMANCE LEVEL 1: SELECTIVE GOLD (Au), THICKNESS = 1.25 MICROMETER OVER NICKEL, THICKNESS = 1.25 MICROMETER  
2.2 PERFORMANCE LEVEL 2: SELECTIVE GOLD (Au), THICKNESS = 0.75 MICROMETER OVER NICKEL, THICKNESS = 1.25 MICROMETER  
2.3. PERFORMANCE LEVEL 3: SELECTIVE GOLD (Au), THICKNESS = 0.38 MICROMETER OVER NICKEL, THICKNESS = 1.25 MICROMETER  
TERMINATION AREA : SELECTIVE MATTE TIN, THICKNESS = 2.5 MICROMETER OVER NICKEL, THICKNESS = 1.25 MICROMETER OVERALL
- CONNECTOR TO BE SECURED WITH  
RIVETS : 2 TUBULATR RIVETS 2.5X0.3... DIN 7340  
SCREWS : 2 CHEESE HEADED SCREWS M2.5X... DIN 84 AND 2 HEX NUTS
- CUT FACES OF TIP WITHOUT PLATING PERMITTED
- "MOLEX", MATERIAL NUMBER, BATCH CODE, SHALL BE PRINTED ON THE CONNECTOR.
- PRODUCT SPECIFICATION : PS-36582-001

RECOMENDED PCB LAYOUT COMPONENT SIDE



365840003	36584-0003	3	ACTIVE
365840002	36584-0002	2	VOID
365840001	36584-0001	1	ACTIVE
MATERIAL NUMBER	ENGINEERING NUMBER	PERFORMANCE LEVEL	STATUS

EC NO: I2008-0285 DRWN: SJ 2007/12/20 CHKD: KPRASAD 2007/12/21 APPR: KPRASAD 2007/12/21	QUALITY SYMBOLS ▽ = 0 ∇ = 0	GENERAL TOLERANCES (UNLESS SPECIFIED)	SCALE 1.5:1	DESIGN UNITS METRIC	THIRD ANGLE PROJECTION	REVISE ON CAD ONLY
		4 PLACES ± --- ± --- 3 PLACES ± --- ± --- 2 PLACES ± 0.1 ± --- 1 PLACE ± 0.15 ± ---	mm INCH	DIMENSION STYLE MM ONLY	TITLE	BTB; CIRCUIT = 160; P = 1 THRU; R/A; DIN41612; FML SOLDER TYPE
REV B	DESCRIPTION	ANGULAR ± 1°	DRAWN BY DATHA	DATE 2003/03/07	MOLEX INCORPORATED	
		DRAFT WHERE APPLICABLE MUST REMAIN WITHIN DIMENSIONS	CHECKED BY GJLOWE	DATE 2003/03/07	MATERIAL NO. SEE TABLE	DOCUMENT NO. SD-36584-001