

**PLEASE CHECK WWW.MOLEX.COM FOR LATEST PART INFORMATION**

**Part Number:** **0482026343**  
**Status:** **Active**  
**Description:** D-Subminiature Shielded I/O PCB Male Plug, Right Angle, Through Hole, 25Circuits, #4-40 Flush Insert, 2 #4-40 Hex Internal Thread Screws Assembled, 0.76µm (30µ") Gold (Au) Plating, PCB Thickness 1.60mm (.063"), Lead Free

**Documents:**

[3D Model](#)  
[Drawing \(PDF\)](#)

[RoHS Certificate of Compliance \(PDF\)](#)

**General**

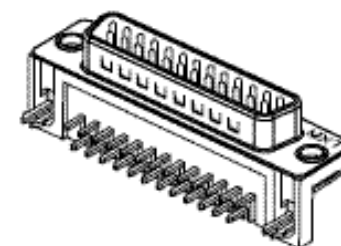
Product Family	I/O Connectors
Series	<u>48202</u>
Application	Wire-to-Board
Comments	Shell: Steel
Component Type	Plug
Product Name	D-Sub
Type	N/A

**Physical**

Boot Color	N/A
Circuits (Loaded)	25
Circuits (maximum)	25
Gender	Male
Lock to Mating Part	Yes
Material - Plating Mating	Gold
Material - Plating Termination	Tin
Number of Rows	2
Orientation	Right Angle
PC Tail Length (in)	0.125 In
PC Tail Length (mm)	3.18 mm
PCB Locator	No
PCB Retention	Yes
PCB Thickness Recommended (in)	0.063 In
PCB Thickness Recommended (mm)	1.60 mm
Packaging Type	Tray
Panel Mount	Yes
Pitch - Mating Interface (in)	0.054 In, 0.109 In
Pitch - Mating Interface (mm)	1.38 mm, 2.77 mm
Pitch - Term. Interface (in)	0.054 In, 0.109 In
Pitch - Term. Interface (mm)	1.38 mm, 2.77 mm
Plating min: Mating (µin)	30
Plating min: Mating (µm)	0.75
Plating min: Termination (µin)	100
Plating min: Termination (µm)	2.54
Polarized to Mating Part	Yes
Polarized to PCB	Yes
Ports	1
Surface Mount Compatible (SMC)	No
Temperature Range - Operating	-55°C to +85°C
Termination Interface: Style	Through Hole
Waterproof / Dustproof	No
Wire Size AWG	N/A

**Electrical**

Current - Maximum per Contact	1A
-------------------------------	----



*image - Reference only*

*Series*

**EU RoHS**

**ELV and RoHS  
Compliant**

**REACH SVHC**

Not Reviewed

**Halogen-Free**

**Status**

**Not Reviewed**

**China RoHS**



**Need more information on product  
environmental compliance?**

Email [productcompliance@molex.com](mailto:productcompliance@molex.com)  
For a multiple part number RoHS Certificate of Compliance, [click here](#)

Please visit the [Contact Us](#) section for any non-product compliance questions.

**Search Parts in this Series**

[48202Series](#)

**Mates With**

[48201](#)

Shield Type  
Shielded  
Voltage - Maximum

Full Shield  
Yes  
300V DC

**Material Info**

**Reference - Drawing Numbers**

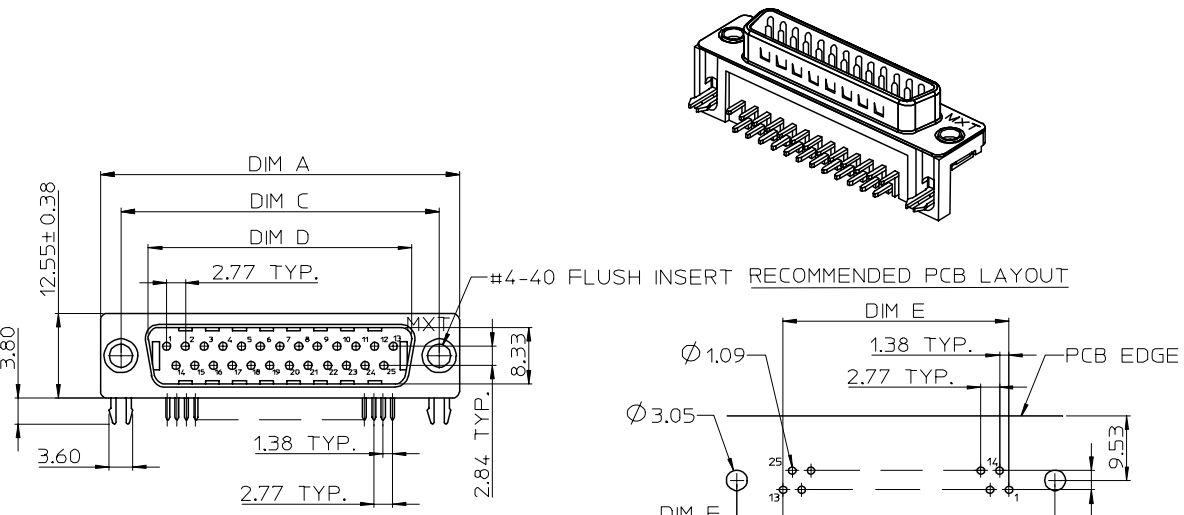
Sales Drawing

SD-48202-001

This document was generated on 03/31/2010

**PLEASE CHECK [WWW.MOLEX.COM](http://WWW.MOLEX.COM) FOR LATEST PART INFORMATION**

10 9 8 7 6 5 4 3 2 1

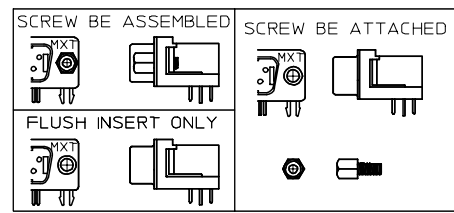
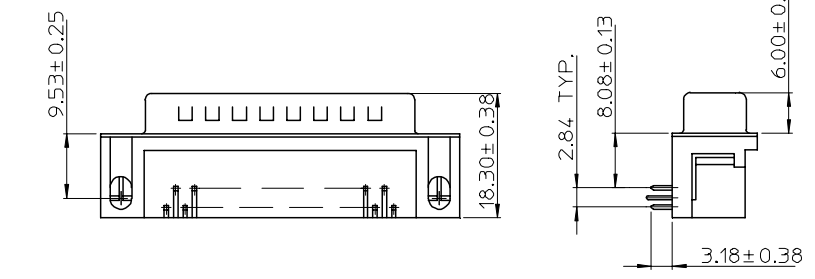


NOTE:  
 1.MATERIAL:  
 HOUSING: POLYESTER GLASS FILLED,UL94-V0,  
 COLOR:BLACK  
 TERMINAL: BRASS  
 METAL SHELL: SPCC  
 BOARD LOCK: BRASS  
 SCREW: BRASS  
 2.PLATING:  
 TERMINAL:  
 CONTACT AREA: SEE PART NUMBER LEGEND  
 SOLDER TAIL: TIN(Sn),THICKNESS=100 MICREINCH MIN/2.54 MICROMETER MIN.  
 UNDER PLATE: NICKEL(Ni),THICKNESS=50 MICROINCH MIN/1.27 MICROMETER MIN.  
 METAL SHELL:TIN(Sn),THICKNESS=100 MICREINCH MIN/2.54 MICROMETER MIN.  
 UNDER PLATE: COPPER(Cu),THICKNESS=50 MICROINCH MIN/1.27 MICROMETER MIN.  
 BOARD LOCK: TIN (Sn),THICKNESS=100 MICREINCH MIN/2.54 MICROMETER MIN.  
 SCREW: NICKEL(Ni),THICKNESS=50 MICROINCH MIN/1.27 MICROMETER MIN.  
 3.RECOMMENDED PCB THICKNESS: 1.60+/-0.05mm  
 4.PRODUCT SPECIFICATION: REFER TO PS-48201-001  
 5.TEST SUMMARY: REFER TO TS-48202-001  
 6.PACKAGING SPECIFICATION: REFER TO PK-48201-001  
 7.LEAD FREE AND ROHS COMPLIANCE PRODUCT

PART NUMBER LEGEND

CKT SIZE	PLATING	SCREW OPTION
48202-6	*	*
	0:9	1:2 PCS #4-40 ROUND INNER THREAD SCREW RIVETTED
	1:15	2:FLUSH INSERT ONLY
	3:25	3:2 PCS #4-40 HEX INNER THREAD SCREW ASSEMBLED
	4:37	4:2 PCS M2.6 INNER THREAD SCREW ASSEMBLED
		5:2 PCS M3 INNER THREAD SCREW ASSEMBLED
		6:2 PCS #4-40 HEX INNER THREAD SCREW ATTACHED
		7:2 PCS M2.6 INNER THREAD SCREW ATTACHED
		8:2 PCS M3 INNER THREAD SCREW ATTACHED

4:30 MICRO INCH MINIMUM GOLD IN CONTACT AREA  
 5:15 MICRO INCH MINIMUM GOLD IN CONTACT AREA  
 6:GOLD FLASH IN CONTACT AREA



CKT SIZE	DIM A	DIM C	DIM D	DIM E	DIM F
9	30.81	24.99	16.92	11.07	6.96
15	39.14	33.32	25.25	19.38	6.97
25	53.04	47.04	38.96	33.22	6.91
37	69.32	63.50	55.45	49.83	6.84

PER EWR 2007-0013 EC NO: SH2007-0097 DRWN:ALLIN 2006/09/18 CHKD: 2006/09/18 APPR:WWSCHANG 2006/09/18	QUALITY SYMBOLS ▽=0 ▽=0	GENERAL TOLERANCES (UNLESS SPECIFIED)	DIMENSION STYLE	SCALE	DESIGN UNITS	THIRD ANGLE PROJECTION
		4 PLACES ± --- ± ---	MM/IN		METRIC	
		3 PLACES ± --- ± ---				
		2 PLACES ± 0.25 ± ---				
		1 PLACE ± 0.25 ± ---				
		ANGULAR ± 3 °				
		DRAFT WHERE APPLICABLE MUST REMAIN WITHIN DIMENSIONS	DRAWN BY	TITLE		
			LINDA	STANDARD D-SUB MALE TYPE FORK BOARD LOCK		
			CHECKED BY	DATE		
			ALL IN	2005/04/26		
			APPROVED BY	DATE		
			WWSCHANG	2005/04/26		
			MATERIAL NO.	DOCUMENT NO.		
			SEE NOTES	SD-48202-001		
			SIZE	SHEET NO.		
			A3	1 OF 1		
			THIS DRAWING CONTAINS INFORMATION THAT IS PROPRIETARY TO MOLEX INCORPORATED AND SHOULD NOT BE USED WITHOUT WRITTEN PERMISSION			

9 8 7 6 5 4 3 2 1