

**PLEASE CHECK WWW.MOLEX.COM FOR LATEST PART INFORMATION**

**Part Number:** [0513470800](#)  
**Status:** **Active**  
**Description:** 3.30mm (.130") Pitch Wire-to-Wire Receptacle Housing, Positive Lock, Dual Row, 8 Circuits

**Documents:**

[3D Model](#) [Product Specification PS-51347-001 \(PDF\)](#)  
[Drawing \(PDF\)](#) [RoHS Certificate of Compliance \(PDF\)](#)

**General**

Product Family Crimp Housings  
 Series [51347](#)  
 Product Name N/A

**Physical**

Circuits (maximum) 8  
 Color - Resin Natural  
 Gender Female  
 Glow-Wire Compliant No  
 Lock to Mating Part Yes  
 Material - Resin Nylon  
 Number of Rows 2  
 Packaging Type Bag  
 Panel Mount No  
 Pitch - Mating Interface (in) 0.130 In  
 Pitch - Mating Interface (mm) 3.30 mm  
 Polarized to Mating Part Yes  
 Stackable No  
 Temperature Range - Operating -25°C to +85°C

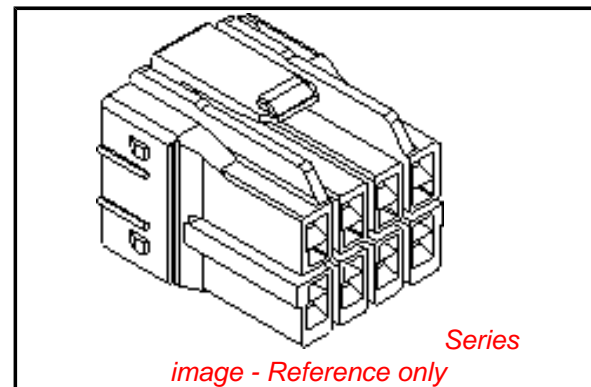
**Electrical**

Current - Maximum per Contact 4A

**Material Info**

**Reference - Drawing Numbers**

Packaging Specification SPK-51347-001  
 Product Specification PS-51347-001, RPS-51284-006, RPS-51347-004,  
 RPS-51347-005, RPS-51347-006, RPS-51347-007  
 Sales Drawing SD-51347-002



**EU RoHS**

**ELV and RoHS  
 Compliant**  
**REACH SVHC  
 Contains SVHC: No**  
**Halogen-Free  
 Status**

**China RoHS**



**Need more information on product  
 environmental compliance?**

Email [productcompliance@molex.com](mailto:productcompliance@molex.com)  
 For a multiple part number RoHS Certificate of  
 Compliance, [click here](#)

Please visit the [Contact Us](#) section for any  
 non-product compliance questions.

**Search Parts in this Series**

[51347Series](#)

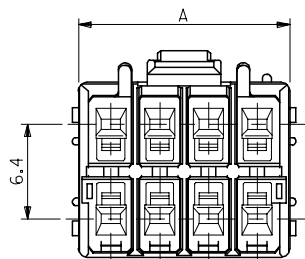
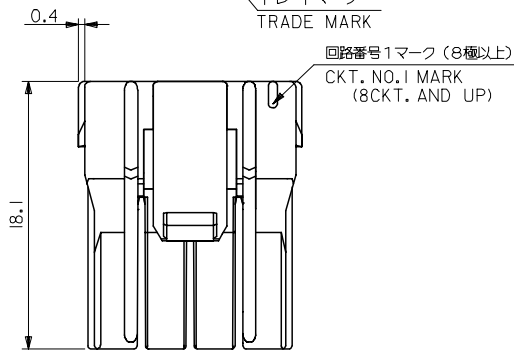
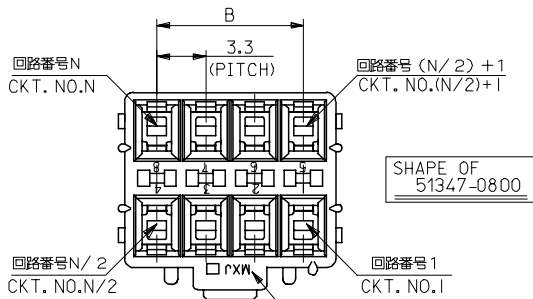
**Mates With**

[51346-0800](#)

**Use With**

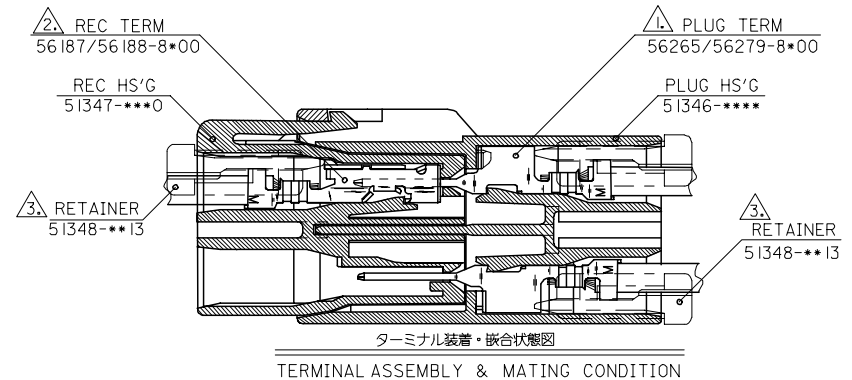
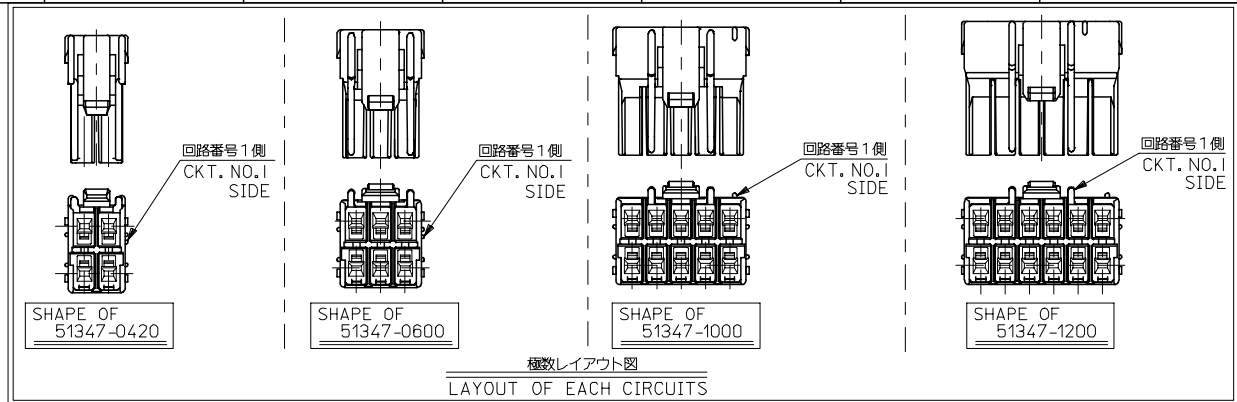
[51348](#) , [56187](#)

本図は2列品を示す  
DUAL ROW ASS'Y



注記  
NOTES

- △ 適合ターミナル: 56187/56188シリーズ  
APPLICABLE TERMINAL : 56187/56188 SERIES
- 2, 嵌合相手 : 51346シリーズ  
MATE WITH : 51346 SERIES
- △ 適合リテーナー : 51348-\*\*\*1\* シリーズ  
APPLICABLE RETAINER : 51348-\*\*\*1\* SERIES
- 4, 材質 : NYLON66, UL94V-0

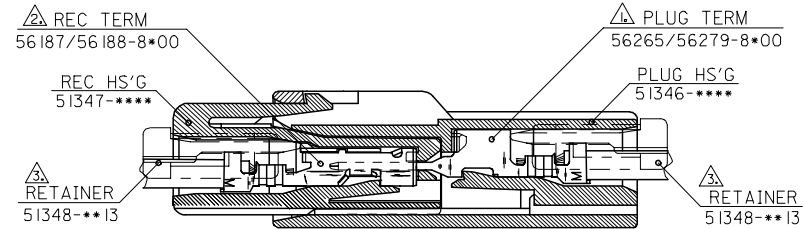
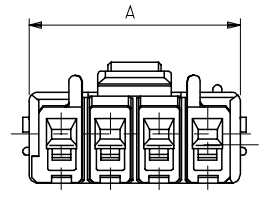
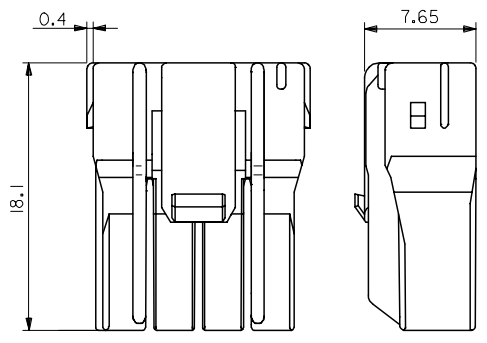
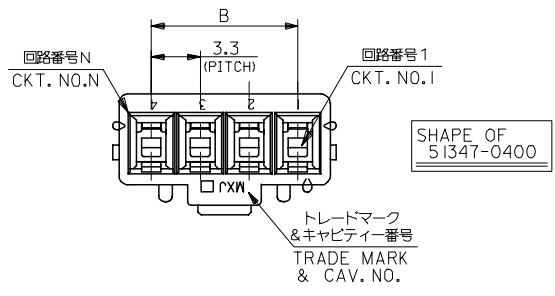


51346-1200	51348-0613	NATURAL	16.5	20.9	12	51347-1200	
-1000	-0513		13.2	17.6	10	-1000	51347-****
-0800	-0413		9.9	14.3	8	-0800	
-0600	-0313		6.6	11	6	-0600	
51346-0420	51348-0213	NATURAL	3.3	7.7	4	51347-0420	
MATE WITH	CONFORMABLE-RETAINER	COLOR	B	A	CKT.	MATERIAL NO.	MODEL NO.

REVISED EC NO: J2008-1833 DRW: MNABEI CHKD: THARUYAMA APPR: NUKITA	DESCRIPTION 2007/11/16 2007/11/19 2007/11/20	GENERAL TOLERANCES (UNLESS SPECIFIED)		DIMENSION STYLE MM ONLY		SCALE ---	DESIGN UNIT'S METRIC	THIRD ANGLE PROJECTION	
		10 UNDER	±0.2	DRAWN BY T.ODA	DATE '04/01/15	TITLE 3.3 W/W CONN REC HS'G			
		10 OVER 30 UNDER	±0.25	CHECKED BY S. ICHIKAWA	DATE				
		30 OVER	±0.3	APPROVED BY Y. ITO	DATE	MOLEX MOLEX INCORPORATED			
		ANGULAR	±3 °	MATERIAL NO.	DOCUMENT NO.	SD-51347-002		SHEET NO. 1 OF 2	
DRAFT WHERE APPLICABLE MUST REMAIN WITHIN DIMENSIONS		SIZE A3		THIS DRAWING CONTAINS INFORMATION THAT IS PROPRIETARY TO MOLEX INCORPORATED AND SHOULD NOT BE USED WITHOUT WRITTEN PERMISSION					

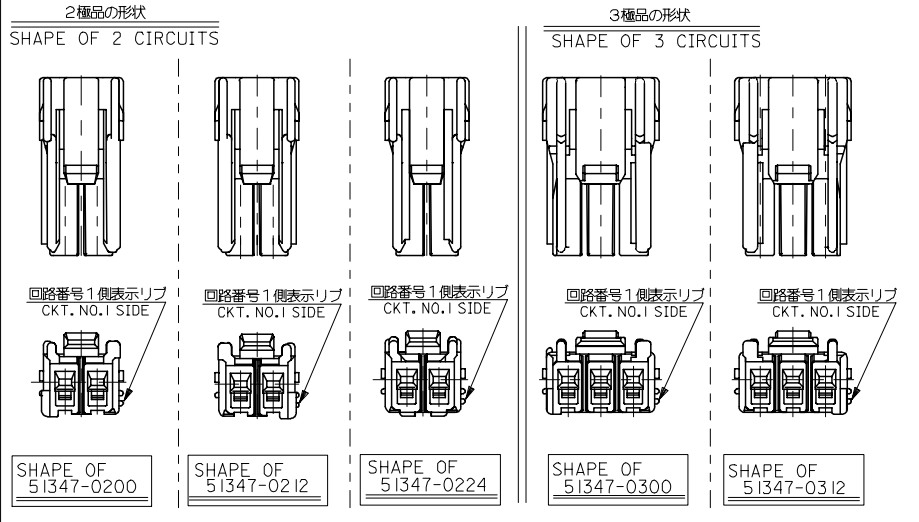
10 9 8 7 6 5 4 3 2 1

本図は1列品を示す  
SINGLE ROW ASS'Y



ターミナル装着・嵌合状態図  
TERMINAL ASSEMBLY & MATING CONDITION

各種形状を下記に参考として示す。  
尚、2極及び3極については嵌合間口にて誤嵌合パリエーションを持たせている為組み合わせには注意して下さい。



- 注記 NOTES
- △ 適合ターミナル : 56265/56279-8\*00  
APPLICABLE TERMINAL  
詳細はSD-56265-001/SD-56279-001参照のこと。  
REFERENCE:SD-56265-001/SD-56279-001
  - △ 適合ターミナル : 56187/56188-8\*00  
APPLICABLE TERMINAL  
詳細はSD-56187-002/SD-56188-002参照のこと。  
REFERENCE:SD-56187-002/SD-56188-002
  - △ 適合リテーナー : 51348-\*\*\*13  
APPLICABLE RETAINER  
詳細はSD-51348-\*\*\*参照のこと。  
REFERENCE:SD-51348-\*\*\*
  - 4, 材料 : NYLON66, UL94V-0  
MATERIAL

51346-0400	51348-0413	NATURAL	9.9	14.3	4	51347-0400	
-0312	-0313	RED	6.6	11	3	-0312	51347-****
-0300	-0313	NATURAL	6.6	11		-0300	
-0224	-0213	BLUE	3.3	7.7		-0224	
-0212	-0213	RED	3.3	7.7	2	-0212	
51346-0200	51348-0213	NATURAL	3.3	7.7		51347-0200	
MATE WITH	CONFORMABLE-RETAINER	COLOR	B	A	CKT.	MATERIAL NO.	MODEL NO.

REVISED EC NO: J2008-1833 DRWN: NABE CHKD: THARUYAMA APPR: NUKITA	DESCRIPTION 2007/11/16 2007/11/19 2007/11/20	GENERAL TOLERANCES (UNLESS SPECIFIED)		DIMENSION STYLE		SCALE	DESIGN UNIT'S	THIRD ANGLE PROJECTION		
				MM ONLY		---	METRIC			
		10 UNDER	±0.2	DRAWN BY	DATE	TITLE				
		10 OVER 30 UNDER	±0.25	T.ODA	'04/01/15	3.3W/W CONN REC HS'G				
		30 OVER	±0.3	CHECKED BY	DATE					
		ANGULAR	±3 °	S. ICHIKAWA						
		DRAFT WHERE APPLICABLE MUST REMAIN WITHIN DIMENSIONS		APPROVED BY	DATE	MOLEX INCORPORATED				
				Y. ITO						
				MATERIAL NO.	DOCUMENT NO.	SHEET NO.				
				SEE TABLE		SD-51347-002		2 OF 2		
				THIS DRAWING CONTAINS INFORMATION THAT IS PROPRIETARY TO MOLEX INCORPORATED AND SHOULD NOT BE USED WITHOUT WRITTEN PERMISSION						