

**PLEASE CHECK WWW.MOLEX.COM FOR LATEST PART INFORMATION**

**Part Number:** [0760903002](#)  
**Status:** **Active**  
**Overview:** [sfp\\_stacked\\_multiport\\_connectors](#)  
**Description:** Small Form-factor Pluggable Plus (SFP+) Stacked 2-by-1 Multi-Port Press Fit Connector with 2 Inner Lightpipe Ports, Elastomeric Gasket, 40 Circuits, Tin (Sn)/Lead(Pb) Tails, Enhanced EMI

**Documents:**

[Drawing \(PDF\)](#) [Product Specification PS-75310-001 \(PDF\)](#)  
[Application Specification \(PDF\)](#) [RoHS Certificate of Compliance \(PDF\)](#)

**General**

Product Family I/O Connectors  
 Series [76090](#)  
 Application Module-to-Board  
 Component Type Receptacle  
 Overview [sfp\\_stacked\\_multiport\\_connectors](#)  
 Product Name SFP Plus  
 Type N/A

**Physical**

Boot Color N/A  
 Circuits (Loaded) 40  
 Circuits (maximum) 40  
 Circuits Detail 40  
 Durability (mating cycles max) 100  
 Gender Female  
 Keying to Mating Part None  
 Lock to Mating Part Yes  
 Material - Plating Mating Gold  
 Number of Rows 2  
 Orientation Right Angle  
 PC Tail Length (in) 0.081 In  
 PC Tail Length (mm) 2.07 mm  
 PCB Locator Yes  
 PCB Retention Yes  
 PCB Thickness Recommended (in) 0.062 In  
 PCB Thickness Recommended (mm) 1.57 mm  
 Packaging Type Tray  
 Panel Mount No  
 Pitch - Mating Interface (in) 0.031 In  
 Pitch - Mating Interface (mm) 0.80 mm  
 Pitch - Term. Interface (in) 0.031 In  
 Pitch - Term. Interface (mm) 0.80 mm  
 Polarized to Mating Part Yes  
 Polarized to PCB Yes  
 Ports 2  
 Surface Mount Compatible (SMC) No  
 Temperature Range - Operating -40°C to +85°C  
 Termination Interface: Style Through Hole - Compliant Pin  
 Waterproof / Dustproof No

**Electrical**

Current - Maximum per Contact 0.5A  
 Grounding to Panel None  
 Shield Type EMI Gasket, Full Shield

**EU RoHS**

**RoHS Compliant by Exemption**

**REACH SVHC**

Not Reviewed

**Halogen-Free**

**Status**

**Not Reviewed**

**China RoHS**



**Need more information on product environmental compliance?**

Email [productcompliance@molex.com](mailto:productcompliance@molex.com)  
 For a multiple part number RoHS Certificate of Compliance, [click here](#)

Please visit the [Contact Us](#) section for any non-product compliance questions.

**Search Parts in this Series**

[76090Series](#)

**Use With**

[0759510999 SFP Dust Plug](#)

Shielded  
Voltage - Maximum

Yes  
120V AC (RMS)/DC

### **Material Info**

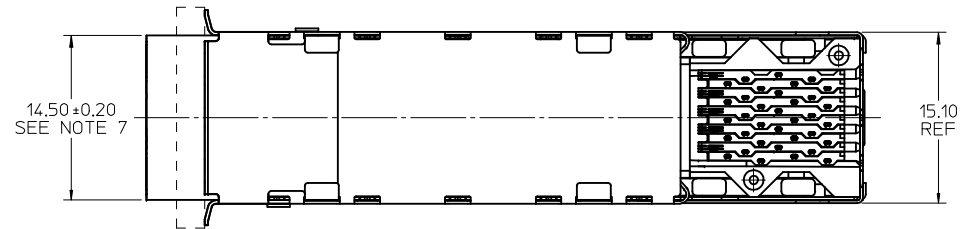
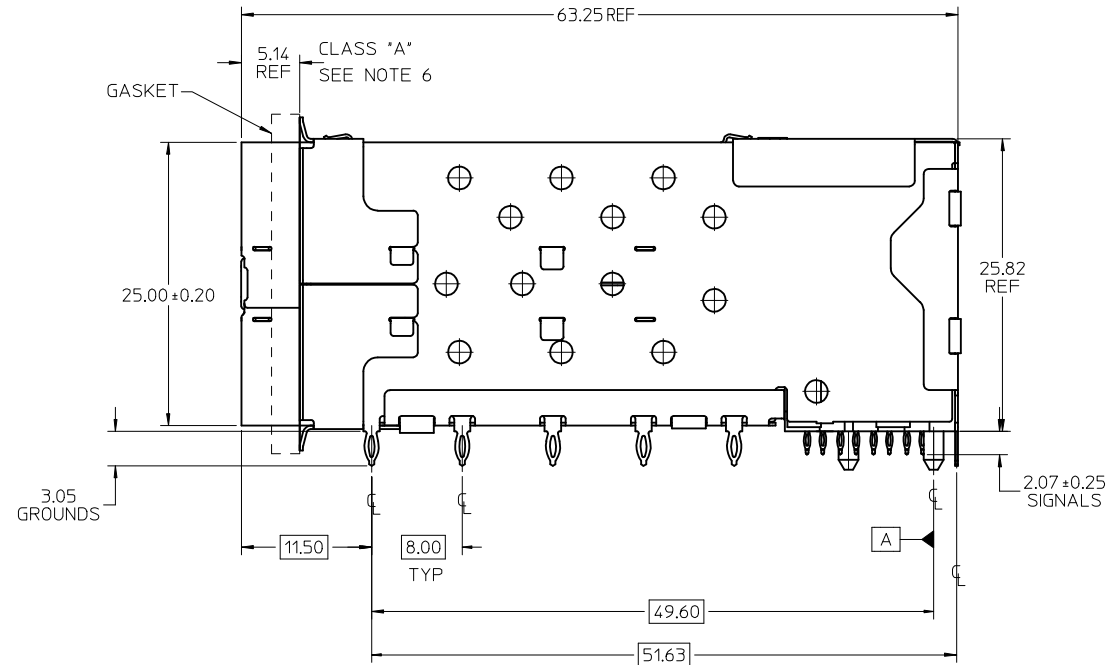
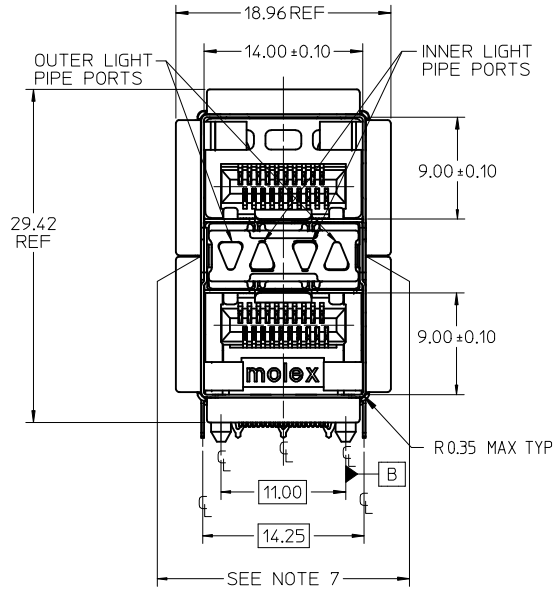
### **Reference - Drawing Numbers**

Application Specification	AS-76090-001
Packaging Specification	PK-75462-001
Product Specification	PS-75310-001
Sales Drawing	SD-76090-001
Test Summary	TS-75310-001

This document was generated on 05/27/2010

**PLEASE CHECK [WWW.MOLEX.COM](http://WWW.MOLEX.COM) FOR LATEST PART INFORMATION**

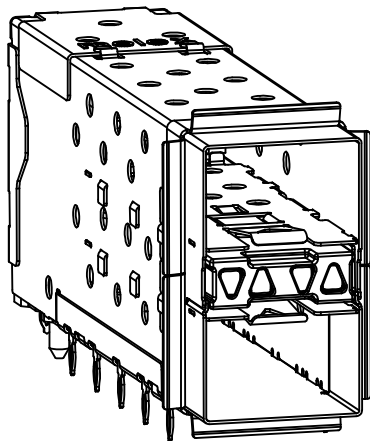
PART NUMBER	DESCRIPTION	VIEW	COMPLIANT TAIL PLATING
760900001	4 LIGHT PORTS	SEE PG 2	TIN / LEAD
760900002	INNER 2 PORTS	SEE PG 2	TIN / LEAD
760900003	OUTER 2 PORTS	SEE PG 2	TIN / LEAD
760905001	4 LIGHT PORTS	SEE PG 2	TIN
760905002	INNER 2 PORTS	SEE PG 2	TIN
760905003	OUTER 2 PORTS	SEE PG 2	TIN
760903002	INNER 2 PORTS	SEE PG 2	TIN / LEAD



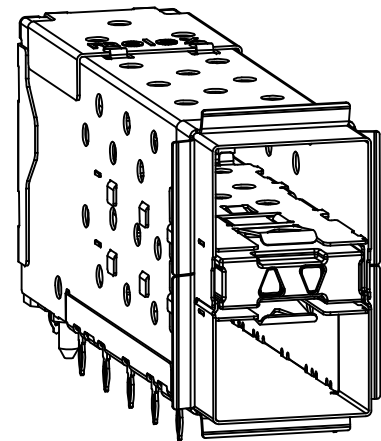
NOTES

- MATERIAL:
  - EMI GASKET: CONDUCTIVE POLYMER
  - CAGE: NICKEL SILVER, THICKNESS: 0.25mm
  - CAGE FLANGE: STAINLESS STEEL
  - CONNECTOR HOUSING: GLASS FILLED HIGH TEMP PLASTIC, COLOR: BLACK
  - OVERMOLDED TERMINAL HOUSING: GLASS FILLED HIGH TEMP PLASTIC, COLOR: BLACK
  - TERMINALS: BRASS
  - LIGHT PIPES: POLYCARBONITE, 94 V-0, CLEAR
  - LIGHT PIPE HOUSING: ZINC
- FINISH
  - LIGHT PIPE HOUSING: 150 MICRONS NICKEL OVER 150 MICRONS COPPER
  - TERMINALS: CONTACT AREA: 0.76 MICRONS MIN. HARD GOLD OVER 1.27 MICRONS MIN. NICKEL.
  - COMPLIANT TAIL - TIN/LEAD OPTION: 0.76 - 1.52 MICRONS 90/10 TIN/LEAD OVER 0.76 - 1.52 MICRONS NICKEL
  - COMPLIANT TAIL - TIN OPTION: 0.76 - 1.52 MICRONS TIN OVER 0.76 - 1.52 MICRONS NICKEL
- REFER TO PS-75310-001 PRODUCT SPEC FOR ALL ELECTRICAL, MECHANICAL, AND ENVIRONMENTAL SPECIFICATIONS.
- LIGHT PIPE PAD LAYOUT IS FOR 0805 LOW-PROFILE LED PACKAGE, FOR OTHER RECOMMENDED LAYOUTS REFER TO MOLEX'S REPORT TS-75310-001.
- REFER TO PK-75462-001 FOR ALL PACKAGING SPECIFICATIONS.
- ALL EXTERIOR SURFACES TO BE CLASS 'B' SURFACE EXCEPT THE UNDER SIDE OF THE CAGE WHERE THE PCB WOULD BE LOCATED AND AS NOTED. THE SURFACES TO CONFORM TO THE MOLEX COSMETIC DOC PS-45499-002.
- THE OVERALL CAGE WIDTH AT THE VERTICAL CENTER OF THE FRONT EDGE WILL FALL WITHIN THIS DIMENSION: 14.75 +/- 0.30 MM. THIS PORTION OF THE CAGE WILL FLEX INWARD AS THE CAGE IS BEING INSERTED INTO THE BEZEL OPENING.

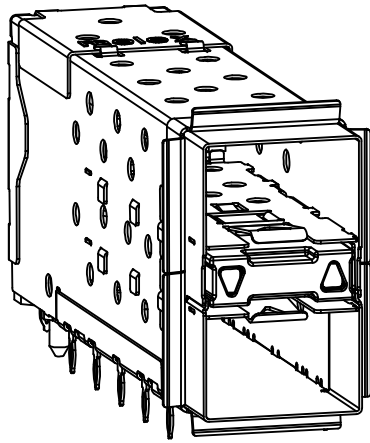
ADD 760903002	EC NO:	2009/08/28	QUALITY SYMBOLS ▽=0 ▽=0	GENERAL TOLERANCES (UNLESS SPECIFIED)	DIMENSION STYLE		SCALE	DESIGN UNITS	THIRD ANGLE PROJECTION
	DRWN:	KAACH LC			MM ONLY		3:1	METRIC	
	CHKD:	2009/11/05			mm INCH		TITLE		
	APPR:	MBANAK IS			4 PLACES ± --- ± --- 3 PLACES ± --- ± --- 2 PLACES ± 0.13 ± --- 1 PLACE ± 0.25 ± ---		STACKED SFP+ 2X1 ASS'Y WITH ELASTOMERIC GASKET AND LIGHTPIPES		
REV	DESCRIPTION	DATE	APPROVED BY	DATE	MATERIAL NO.		DOCUMENT NO.		SHEET NO.
		2009/11/06	KREGNIER	01-18-2007	SEE TABLE		SD-76090-001		1 OF 4
				DRAFT WHERE APPLICABLE MUST REMAIN WITHIN DIMENSIONS		THIS DRAWING CONTAINS INFORMATION THAT IS PROPRIETARY TO MOLEX INCORPORATED AND SHOULD NOT BE USED WITHOUT WRITTEN PERMISSION			



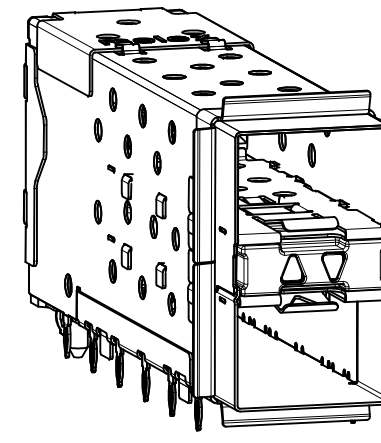
760900001 AND 760905001  
WITH INNER AND OUTER LIGHT PIPES



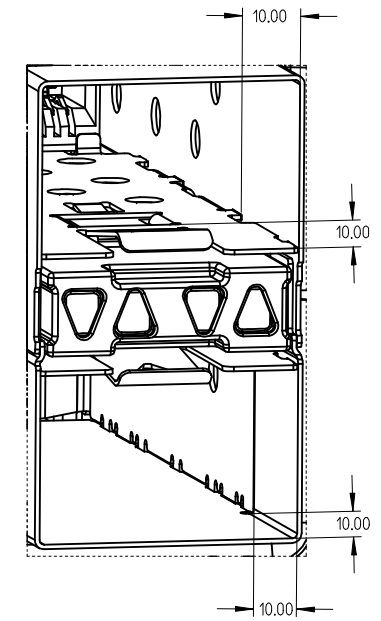
760900002 AND 760905002  
WITH INNER LIGHT PIPES



760900003 AND 760905003  
WITH OUTER LIGHT PIPES

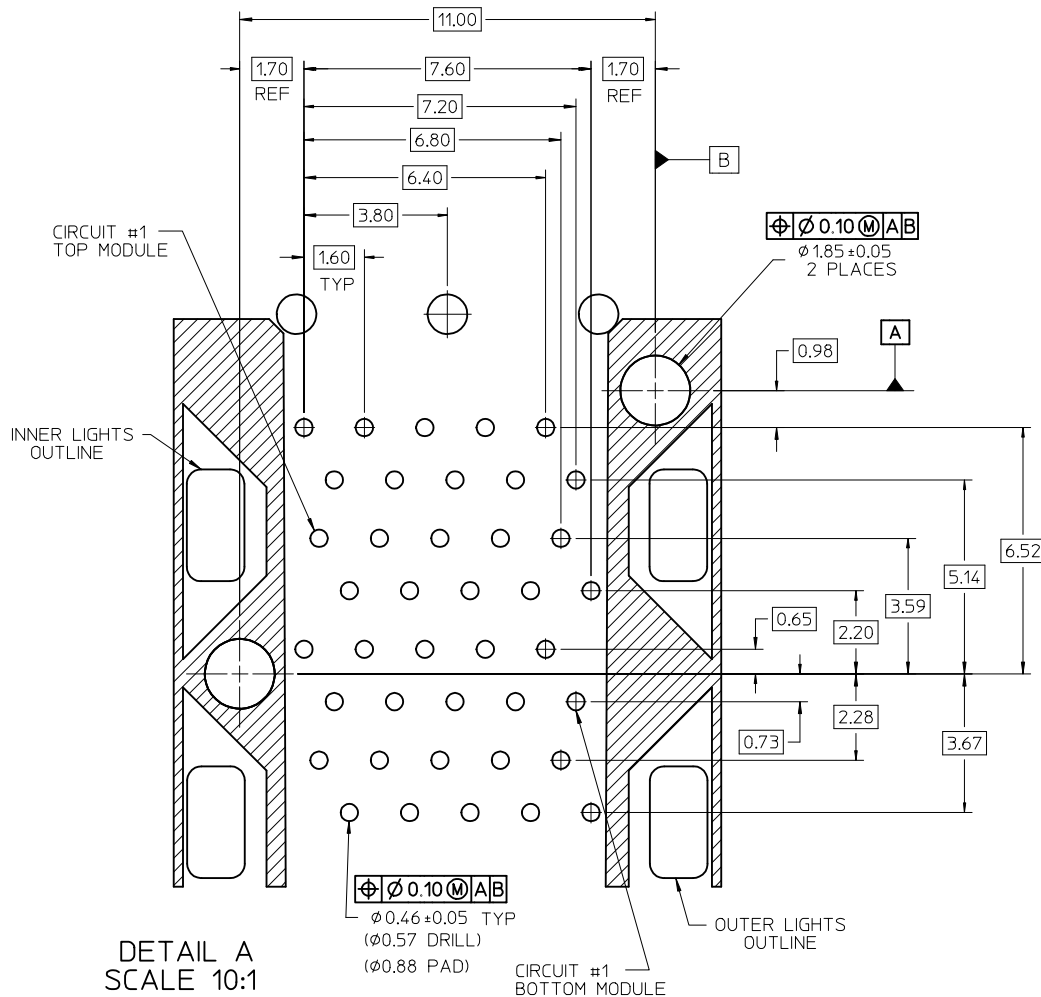


760903002  
WITH INNER LIGHT PIPES  
& ENHANCED EMI MID-SECTION

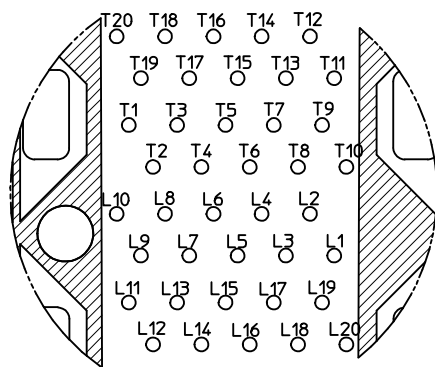


MODULE PORT DETAIL  
10.00mm AREA SETBACK IN CAGES IS TO BE FREE OF ANY HOLES, DIMPLES, SEAMS OR ANY OTHER FEATURES (4 SIDES PER MODULE PORT)

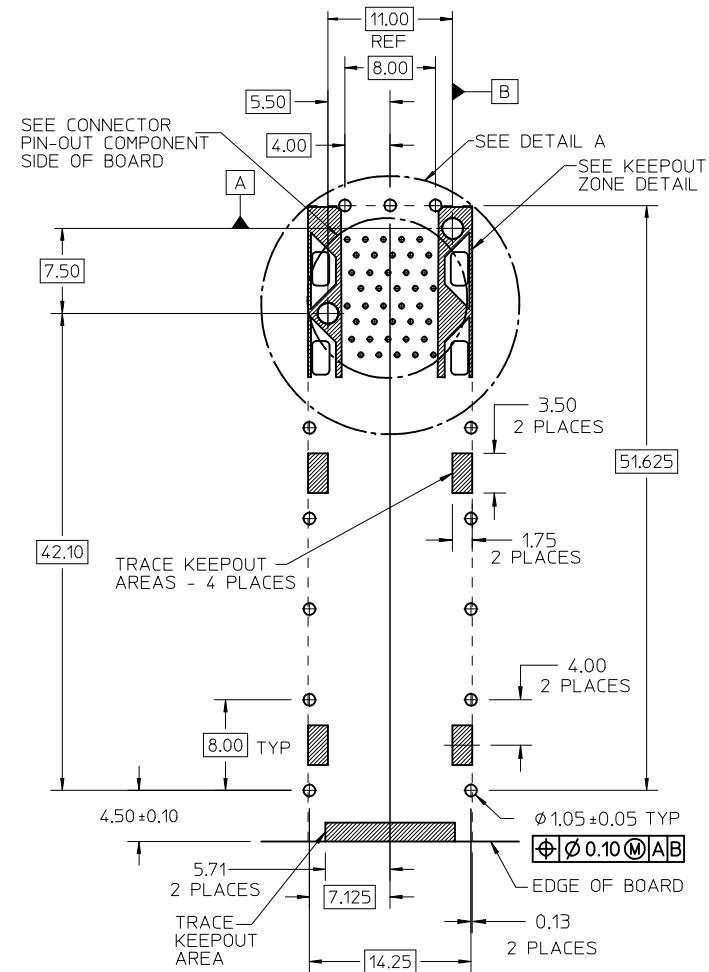
SEE SHEET 1 EC NO: 2009/08/28 TDRWIN:KACHLIC 2009/11/05 CHKD: 2009/11/05 APPR:MBANAKIS 2009/11/06 (REV) DESCRIPTION	QUALITY SYMBOLS ▽=0 ▽=0	GENERAL TOLERANCES (UNLESS SPECIFIED) <table border="1"> <tr> <th></th> <th>mm</th> <th>INCH</th> </tr> <tr> <td>4 PLACES</td> <td>± 0.13</td> <td>± 0.005</td> </tr> <tr> <td>3 PLACES</td> <td>± 0.25</td> <td>± 0.010</td> </tr> <tr> <td>2 PLACES</td> <td>± 0.50</td> <td>± 0.020</td> </tr> <tr> <td>1 PLACE</td> <td>± 1.00</td> <td>± 0.040</td> </tr> <tr> <td colspan="3">ANGULAR ± 5°</td> </tr> </table>		mm	INCH	4 PLACES	± 0.13	± 0.005	3 PLACES	± 0.25	± 0.010	2 PLACES	± 0.50	± 0.020	1 PLACE	± 1.00	± 0.040	ANGULAR ± 5°			DIMENSION STYLE MM ONLY	SCALE 3:1	DESIGN UNITS METRIC	THIRD ANGLE PROJECTION
		mm	INCH																					
	4 PLACES	± 0.13	± 0.005																					
	3 PLACES	± 0.25	± 0.010																					
2 PLACES	± 0.50	± 0.020																						
1 PLACE	± 1.00	± 0.040																						
ANGULAR ± 5°																								
DRAWN BY JJANTELEZ10	DATE 01-18-2007	TITLE STACKED SFP+ 2X1 ASS'Y WITH ELASTOMERIC GASKET AND LIGHTPIPES																						
CHECKED BY MSANDBERG	DATE 01-18-2007																							
APPROVED BY KREGNIER	DATE 01-18-2007																							
MATERIAL NO.		SEE TABLE		DOCUMENT NO. SD-76090-001		SHEET NO. 2 OF 4																		
DRAFT WHERE APPLICABLE MUST REMAIN WITHIN DIMENSIONS																								
THIS DRAWING CONTAINS INFORMATION THAT IS PROPRIETARY TO MOLEX INCORPORATED AND SHOULD NOT BE USED WITHOUT WRITTEN PERMISSION																								



DETAIL A  
SCALE 10:1



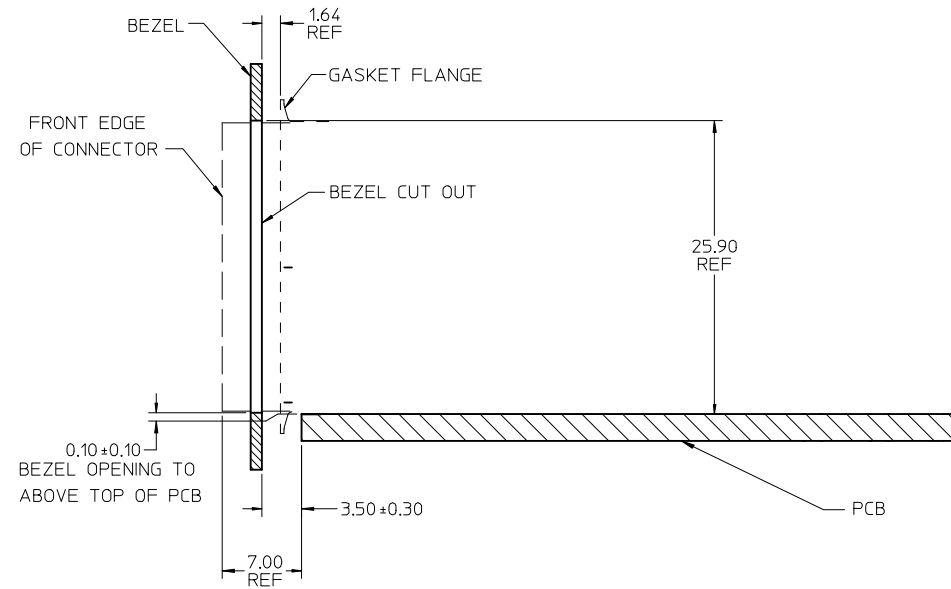
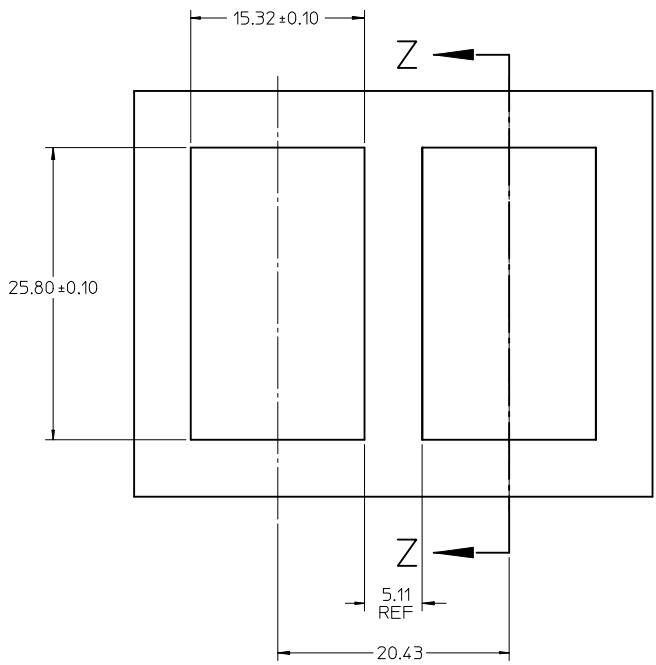
CONNECTOR PIN-OUT  
COMPONENT SIDE OF BOARD  
SCALE 10:1



RECOMMENDED PCB LAYOUT - COMPONENT SIDE  
RECOMMENDED PCB THICKNESS - 2.36 MM (.093 INCH)

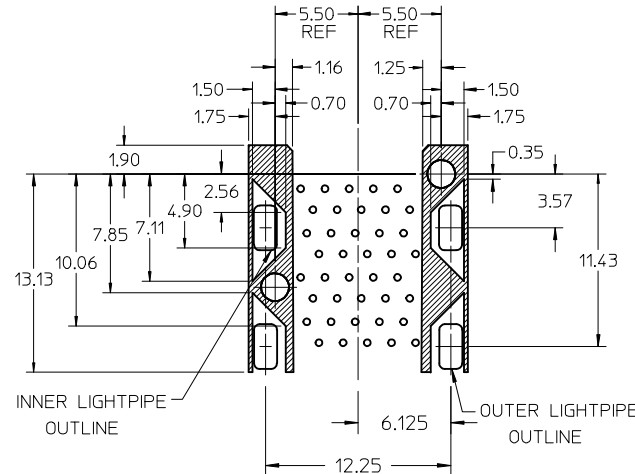
THE ENTIRE AREA OF THE CONNECTOR FOOTPRINT  
TO BE CONSIDERED THE KEEP OUT AREA FOR COMPONENTS  
(OTHER THAN LIGHT PIPE LED'S)  
THIS AREA IS INDICATED BY THE DASHED LINE

<b>ADD KEEP OUT ZONES</b> IEC NO: 2009/08/28 DRAWN: JKACH LC 2009/11/05 CHKD: 2009/11/05 APPR: MBANAK IS 2009/11/06 REV: DESCRIPTION	QUALITY SYMBOLS	GENERAL TOLERANCES (UNLESS SPECIFIED)	DIMENSION STYLE	SCALE	DESIGN UNITS	THIRD ANGLE PROJECTION	
	$\nabla=0$ $\nabla=0$	mm INCH	MM ONLY	3:1	METRIC		
		4 PLACES ± --- ± ---	DRAWN BY DATE	TITLE	<b>STACKED SFP+ 2X1 ASS'Y WITH ELASTOMERIC GASKET AND LIGHTPIPES</b> <b>MOLEX INCORPORATED</b>		
		3 PLACES ± --- ± ---	JJANTELEZIO 01-18-2007				
	2 PLACES ± 0.13 ± ---	CHECKED BY DATE		DOCUMENT NO. SD-76090-001 SHEET NO. 3 OF 4			
	1 PLACE ± 0.25 ± ---	MSANDBERG 01-18-2007					
	ANGULAR ± 5 °	APPROVED BY DATE		THIS DRAWING CONTAINS INFORMATION THAT IS PROPRIETARY TO MOLEX INCORPORATED AND SHOULD NOT BE USED WITHOUT WRITTEN PERMISSION			
		KREGNIER 01-18-2007					
		MATERIAL NO.	SEE TABLE				
		DRAFT WHERE APPLICABLE MUST REMAIN WITHIN DIMENSIONS					



SECTION Z-Z

BEZEL CUT-OUT CENTER SPACING DETAIL  
BEZEL THICKNESS 0.8-2.6



THE HATCHED AREA IN THIS VIEW INDICATES ZONES THAT ARE OCCUPIED BY THE PLASTIC HOUSING THAT SEATS AGAINST THE PCB AND BY THE VERTICAL METAL CAGE WALL THAT STOPS JUST SHORT OF THE PCB

SEE SHEET 1 EC NO: 2009/08/28 TDRWN: KACHLIC 2009/11/05 CHKD: 2009/11/05 APPR: MBANAKIS 2009/11/06	QUALITY SYMBOLS	GENERAL TOLERANCES (UNLESS SPECIFIED)	DIMENSION STYLE	SCALE	DESIGN UNITS	THIRD ANGLE PROJECTION
	▽=0 ▽=0	mm INCH 4 PLACES ± --- ± --- 3 PLACES ± --- ± --- 2 PLACES ± 0.13 ± --- 1 PLACE ± 0.25 ± --- ANGULAR ± 5 °	MM ONLY	3:1	METRIC	
	DRAWN BY: JJANTELEZ10 DATE: 01-18-2007 CHECKED BY: MSANDBERG DATE: 01-18-2007 APPROVED BY: KREGNIER DATE: 01-18-2007	TITLE: STACKED SFP+ 2X1 ASS'Y WITH ELASTOMERIC GASKET AND LIGHTPIPES		MOLEX INCORPORATED		SHEET NO. 4 OF 4
	DRAFT WHERE APPLICABLE MUST REMAIN WITHIN DIMENSIONS	SEE TABLE	MATERIAL NO. SD-76090-001	DOCUMENT NO. SD-76090-001		