

PLEASE CHECK WWW.MOLEX.COM FOR LATEST PART INFORMATION

Part Number: **0508567412**
Status: **Active**
Description: Ring Tongue Terminal for 10 and 12 AWG, Closed Uninsulated Brazed Barrel, Stud Size 8 (M4), Oxygen Free Copper, Length 18.30mm (.720")

Documents:

[Drawing \(PDF\)](#) [RoHS Certificate of Compliance \(PDF\)](#)
[Product Specification PS-50856-001 \(PDF\)](#)

Agency Certification

CSA LR95446
 UL E134962

General

Product Family Ring and Spade Terminals
 Series 50856
 Crimp Quality Equipment Yes
 Mil-Spec N/A
 Product Name R (Ring)
 Type Ring

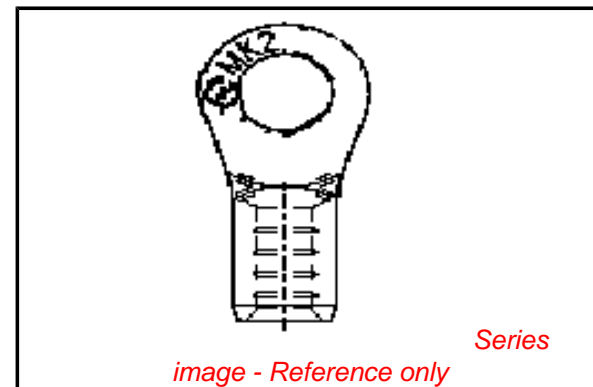
Physical

Barrel Type Closed - Brazed
 Insulation None
 Material - Plating Mating Tin
 Packaging Type Bag
 Plating min: Mating (µin) 40
 Plating min: Mating (µm) 1
 Plating min: Termination (µin) 40
 Plating min: Termination (µm) 1
 Stud Size 8 (M4)
 Termination Interface: Style Crimp or Compression
 Wire Size AWG 10, 12
 Wire Size mm² 2.63 - 6.64

Material Info

Reference - Drawing Numbers

Product Specification PS-50856-001
 Sales Drawing SD-50856-001



EU RoHS

ELV and RoHS Compliant
REACH SVHC
 Not Reviewed
Halogen-Free Status
Not Reviewed

China RoHS



Need more information on product environmental compliance?

Email productcompliance@molex.com
 For a multiple part number RoHS Certificate of Compliance, [click here](#)

Please visit the [Contact Us](#) section for any non-product compliance questions.

Search Parts in this Series

50856Series

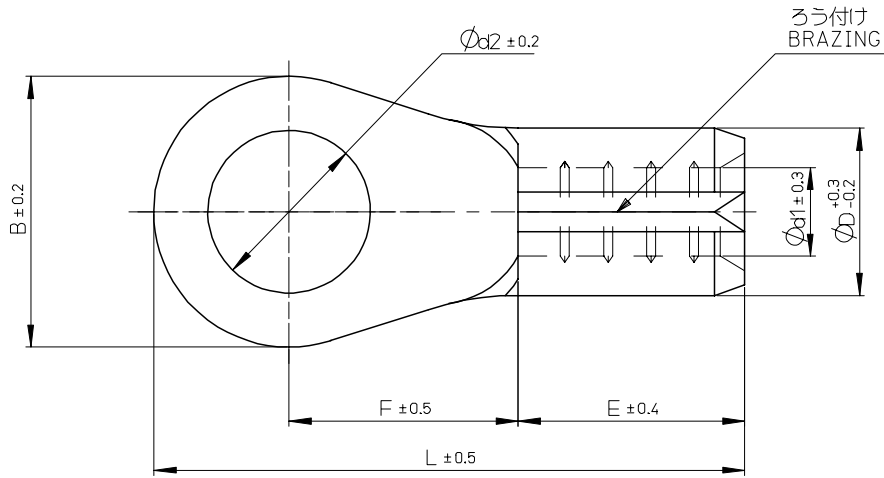
Application Tooling | [FAQ](#)

Tooling specifications and manuals are found by selecting the products below. Crimp Height Specifications are then contained in the Application Tooling Specification document.

Japan

Description	Product #
Hand Crimper For JIS Terminal	0572575000
Air Type Hand Crimper For JIS Terminal	0573439005

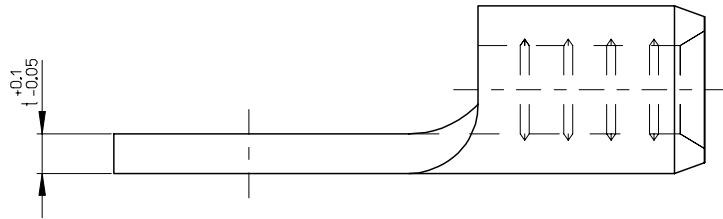
10 9 8 7 6 5 4 3 2 1



注記 NOTES

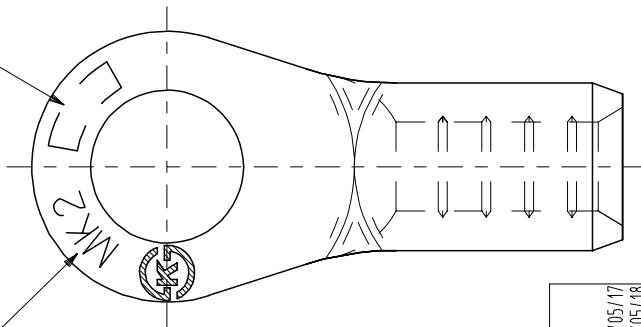
- 1 材質 MATERIAL
 端子：無酸素銅、錫めっき
 TERMINAL: OXYGEN-FREE COPPER, TIN PLATING
 ろう付け部：りん銅ろう
 PART OF BRAZING : COPPER PHOSPHORUS BRAZING FILLER METALS
- 2 適用電線 APPLICABLE WIRE RANGE

単線 SOLID WIRE	撚線 STRANDED WIRE
1.82-2.89 mm	2.63-6.64 mm ²



呼び
NOMINAL SIZE

トレードマーク
TRADE MARK



1	21	48	25.7	6.5	3.5	5.6	5.5	20	50856-7912	
	17							16	50856-7812	
	15							14	50856-7712	
	5.3	12	L5					50856-7612		
		8	S5					50856-7512		
	4.3	18.3	8.5					7.1	M4	50856-7412
								7.2	M3.5	50856-7312
	3.7	15.8	5.9					7.1	S3.5	50856-7212
7.2				M3	50856-7112					
3.2	18.3	8.5	7.1	M3	50856-7112					
			7.2	S3	50856-7012					
t	Ød2	L	F	E	Ød1	ØD	B	呼び NOMINAL SIZE	ENG. NO.	

RELEASED EC NO: J2007-0312 DRW: H.YAJIMA 2007/05/17 CHK: K.KASAHARA 2007/05/18 APPR: NUKITA 2007/05/18	GENERAL TOLERANCES (UNLESS SPECIFIED)		DIMENSION STYLE MM ONLY		SCALE ---	DESIGN UNITS METRIC	THIRD ANGLE PROJECTION	
	10 UNDER	± ---	DRAWN BY H. YAJIMA	DATE '06/08/23	TITLE RING TERMINAL			
	10 OVER 30 UNDER	± ---	CHECKED BY K. KASAHARA	DATE '06/08/23	MATERIAL NO. SEE CHART			
	30 OVER	± ---	APPROVED BY N. UKITA	DATE '06/08/23	DOCUMENT NO. SD-50856-001			
	ANGULAR	± --- °	DRAFT WHERE APPLICABLE MUST REMAIN WITHIN DIMENSIONS		SIZE A3		SHEET NO. 1 OF 1	