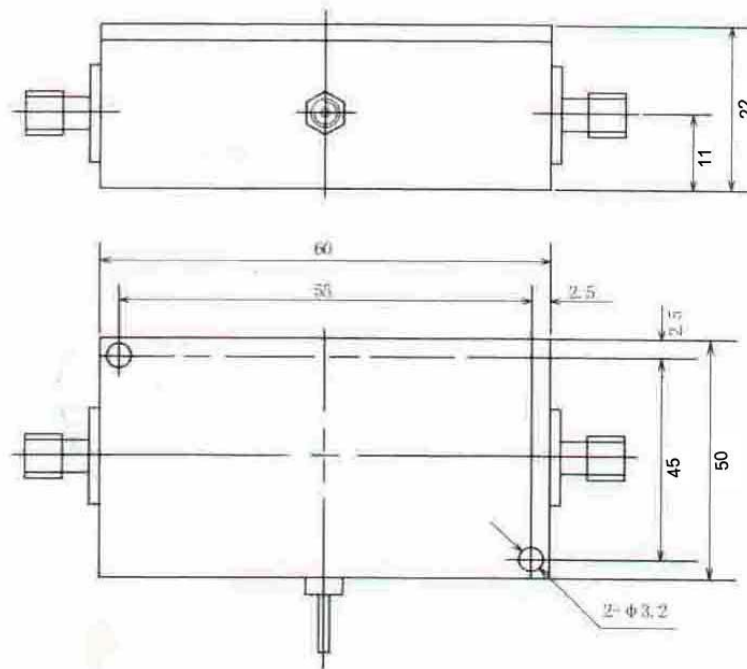


Amplifier

P/N: JXWBLA-T-950-2150-22

Parameter	Unit	Minimum	Typical	Maximum
Frequency Range	MHz	950		2150
Gain	dB	22	24	26
Gain Flatness	dB			2
P1dB	dBm	24(950-1500MHz); 22(1500-2150MHz)		
IP3	dBm	34		
Noise Figure	dB		5	
VSWR			1:15	1:1.75
Input/Output Impedance	Ω	50		
DC Power Supply	V	11.4	12.0	12.6
Supply Current	mA		235	250
Operating Temperature	$^{\circ}\text{C}$	0		60
Connector		SMA-Female		
Dimension (excluding SMA)	mm	60x50x22		
Net Weight	Kg	0.125 Around		

Outline Drawing



For current data sheets, please contact: sales@aacix.com