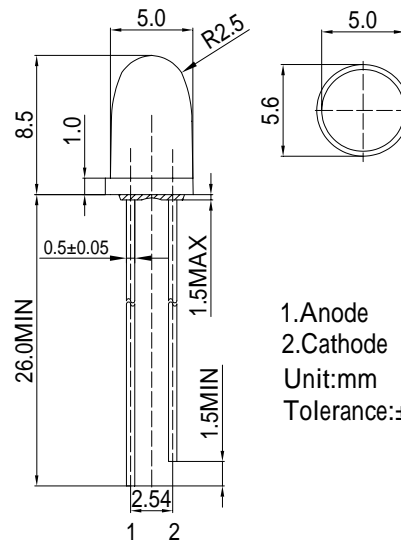


■Features

- High Luminous LEDs
- 5mm Bullet Standard Directivity
- Superior Weather-resistance
- UV Resistant Epoxy
- Water Clear Type

■Applications

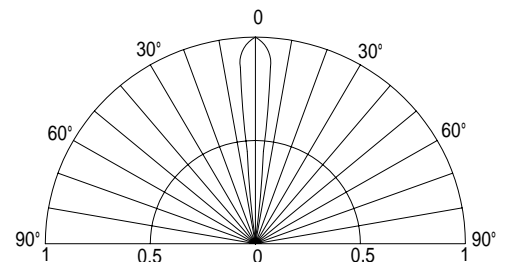
- Automotive Dashboard Lighting
- Money Detector
- Back Lighting
- Other Lighting

■Outline Dimension


1.Anode
2.Cathode
Unit:mm
Tolerance:±0.30mm

■Absolute Maximum Rating
(Ta=25)

| Item | Symbol | Value | Unit |
|----------------------------|-----------|------------|------|
| DC Forward Current | I_F | 30 | mA |
| Pulse Forward Current* | I_{FP} | 100 | mA |
| Reverse Voltage | V_R | 5 | V |
| Power Dissipation | P_D | 114 | mW |
| Operating Temperature | T_{opr} | -30 ~ +85 | |
| Storage Temperature | T_{stg} | -40 ~ +100 | |
| Lead Soldering Temperature | T_{sol} | 260 /5sec | - |

■Directivity


*Pulse width Max.10ms Duty ratio max 1/10

■Electrical -Optical Characteristics
(Ta=25)

| Item | Symbol | Condition | Min. | Typ. | Max. | Unit |
|---------------------|-----------------|------------|------|------|------|---------|
| DC Forward Voltage | V_F | $I_F=20mA$ | 3.0 | 3.4 | 3.8 | V |
| DC Reverse Current | I_R | $V_R=5V$ | - | - | 10 | μA |
| Peak Wavelength* | λ_p | $I_F=20mA$ | 400 | 405 | 410 | nm |
| Luminous Intensity* | I_v | $I_F=20mA$ | - | 300 | - | mcd |
| 50% Power Angle | $2\theta_{1/2}$ | $I_F=20mA$ | - | 8 | - | deg |

*1 Tolerance of Peak wavelength is $\pm 1nm$

*2 Tolerance of luminous intensity is $\pm 15\%$