

PPC



PPC-7500F

Fanless and High Performance 10.4" Panel PC

Features and Benefits:

- True fanless thermal solution
- Small size, low power and economical solution
- Built-in giga LAN
- On board IDE interface Type-II compact flash slot
- Touch screen support
- 24v DC power support
- I/O port highlights:
 - 2 powered serials,
 - 1 parallel,
 - 2 USB2.0,
 - 1 keyboard,
 - 1 mouse,
 - 1 10M/100M/1G Base-TX LAN,
 - 1 line-in/-out/mic
 - 1 x CF slot on the left side (IDE interface)
- Industry level of durability
- Against dust and powerful jetting



No. 24, Lane 365, Yang Guang St., Nei Hu District, Taipei 114, Taiwan, R.O.C.

Tel: +886-2-8751-1111

Fax: +886-2-8751-1199

Email: sales@protech.com.tw

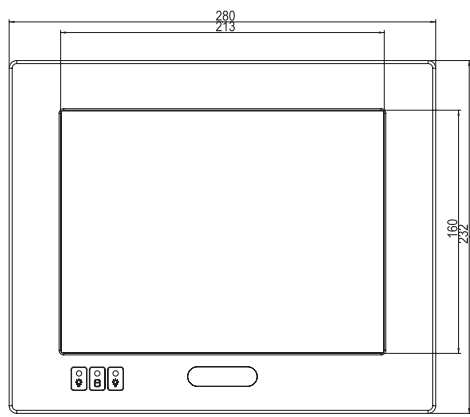
http://www.protech.com.tw

ISO CERTIFIED
9001 | 14001

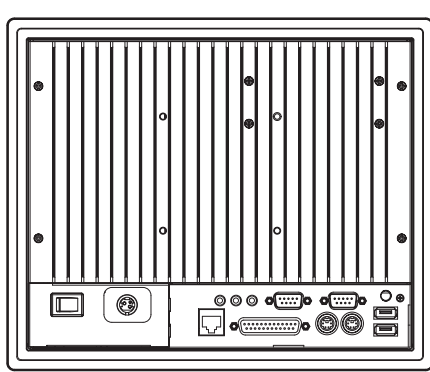
PPC-7500F

Fanless and High Performance 10.4" Panel PC

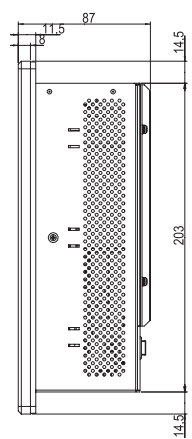
Front View



Rear View



Side View



Unit: mm

Specification

Systems	
CPU Support	Intel Celeron® M ULV 1.0GHz on board
Memory Support	1 x 200pin DDR SO-DIMM, Support DDR 333 SDRAM up to 1GB
Front Bazel	Aluminum
Open Frame	Yes (optional)
IP65 / NEMA4	Yes
Power Supply	DC 24Vin 80W power supply / AC100-240Vin (optional power adaptor)
O.S. Support	Win 98SE / 2000 / XP / CE.net, Linux Redhat 8.0/9.0
Dimension (W x H x D)	280 x 232 x 80 mm (11.02" x 9.13" x 3.15")
System Weight	7 Kg (13.22lb)
VESA Mounting Support	75mm
Certificate	CE / FCC

I/O Ports

USB	2 x USB2.0
KB / Mouse	2
Audio	Line in / Line out / MIC in
Parallel	1 x parallel port (SPP / EPP / ECP)
Serial Port	2 x COMs, COM1 supports +5V or +12V, COM2 for RS232/422/485, supports +5V only

Digital I/O	N/A
LAN	10/100/1000 Mbps
VGA	N/A
Brightness Control	VR on rear panel
Drive Bay	1x 2.5" HDD, 1x IDE CF slot on board
Expansion Slots	N/A

Display

LCD	10.4" SVGA TFT LCD
Touch Screen	5W Analog resistive (USB interface)

Environment

Operating Temp.	0° ~ 40 °C
Storage Temp.	-20° ~ 60 °C
Humidity	20% ~ 90%

Ordering

PPC-7500F	FanlessPanel PC with 10.4" LCD, Intel Celeron M ULV 600MHz CPU board, resistive touchscreen, 80W DC power supply
EFSP120-ACB	120W, 24 Vdc output power adaptor

All of trademarks and brand names are the property of their owners. Trademark "Protech" is the property of Protech Systems Co., Ltd. All information contained in this document is subject to change without any prior notice. This catalog is copyrighted in May, 2006.