

PLEASE CHECK WWW.MOLEX.COM FOR LATEST PART INFORMATION

Part Number: [0191180087](#)
Status: **Active**
Description: Krimptite™ Flanged Spade Tongue Terminal for 10-12 AWG Wire, Stud Size 8, Length 19.56mm (.770"), Mylar Tape Carrier

Documents:

[Drawing \(PDF\)](#) [RoHS Certificate of Compliance \(PDF\)](#)

Agency Certification

CSA LR18689
 UL E32244

General

Product Family Ring and Spade Terminals
 Series [19118](#)
 Crimp Quality Equipment Yes
 Mil-Spec N/A
 Product Name Krimptite™
 Type Spade

Physical

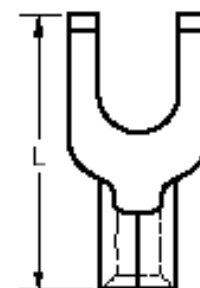
Barrel Type Closed
 Insulation None
 Material - Plating Mating Tin
 Packaging Type Adhesive Tape on Reel
 Plating min: Mating (µin) 160
 Plating min: Mating (µm) 4
 Plating min: Termination (µin) 160
 Plating min: Termination (µm) 4
 Stud Size 8 (M4)
 Wire Size AWG 10, 12
 Wire Size mm² 4.00 - 6.00

Material Info

Old Part Number C-117-08T

Reference - Drawing Numbers

Sales Drawing SD-19118-002



Series
 image - Reference only

EU RoHS

ELV and RoHS Compliant
REACH SVHC Contains SVHC: No
Halogen-Free Status Not Reviewed

China RoHS



Need more information on product environmental compliance?

Email productcompliance@molex.com
 For a multiple part number RoHS Certificate of Compliance, [click here](#)

Please visit the [Contact Us](#) section for any non-product compliance questions.

Search Parts in this Series

[19118Series](#)

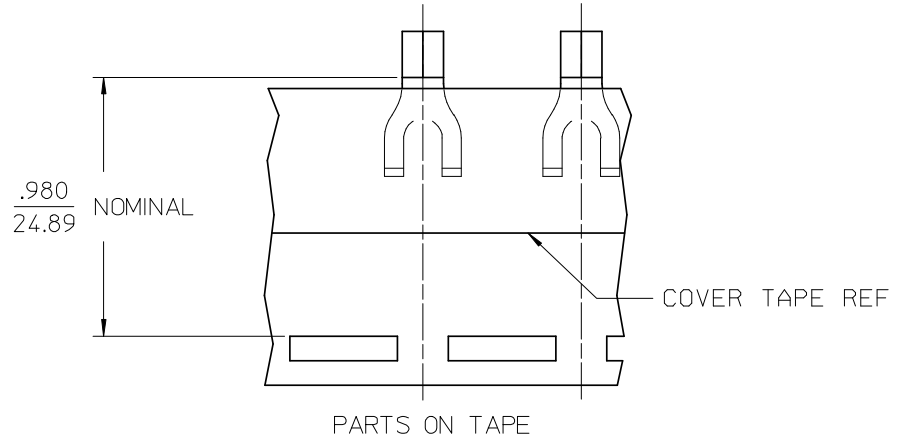
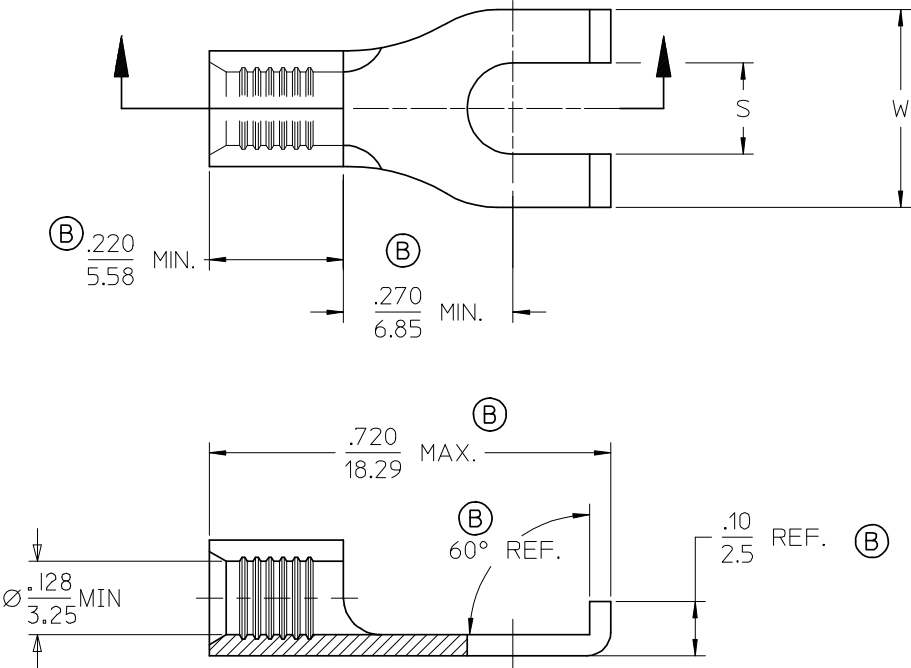
Application Tooling | [FAQ](#)

Tooling specifications and manuals are found by selecting the products below. Crimp Height Specifications are then contained in the Application Tooling Specification document.

Global

| Description | Product # |
|---|----------------------------|
| ATP Perishable Tool Kit, Used in ATP Presses that Process Product on Tape | 0190270088 |
| Mini-Mac™ Applicator | 0638851000 |

| LOOSE PIECE | | TAPE MOUNTED | | | | |
|-----------------|--------------------|-----------------|--------------------|-----------|--------------|---------------|
| MATERIAL NUMBER | ENGINEERING NUMBER | MATERIAL NUMBER | ENGINEERING NUMBER | STUD SIZE | S ±.005 | W MAX |
| 191180084 | C-117-06 | 191180130 | C-117-06T | 6 | .146/3.71 | .345/8.76 (B) |
| 191180086 | C-117-08 | 191180087 | C-117-08T | 8 | .173/4.39 | .385/9.78 |
| 191180088 | C-117-10 | 191180090 | C-1167-10T | 10 | .209/5.3 (B) | .385/9.78 |



SALES DRAWING

- NOTES:
1. MATERIAL: COPPER .040/1.02 THICK
 2. PLATING: ELECTRO-TIN
 3. PART IS RoHS COMPLIANT

(B)

| | | | | | | | | | | |
|---|-------------------------------|---------------------------------------|--|--------------------------|---------------------------|--------------------|---|------------------------|--|--|
| ADD NOTE 3. REV. DIMS EC NO: ETC2008-0012 DRWN: RSTONE 2007/11/26 CHKD: JMACNEIL 2007/11/26 APPR: JMACNEIL 2007/12/05 | QUALITY SYMBOLS ▽=0 ∇=0 | GENERAL TOLERANCES (UNLESS SPECIFIED) | | DIMENSION STYLE IN/MM | | SCALE 4:1 | DESIGN UNITS INCH | THIRD ANGLE PROJECTION | | |
| | | | mm | INCH | DRAWN BY BENDERLE | DATE 2005/02/07 | TITLE FLANGED SPADE TERMINAL, KRIMPTITE, 12-10 AWG | | | |
| | | 4 PLACES | ±--- | ±--- | CHECKED BY R DEROSS | DATE 2005/02/07 | MOLEX INCORPORATED DOCUMENT NO. SD-19118-002 SHEET NO. 1 OF 1 | | | |
| | | 3 PLACES | ±--- | ±.005 | APPROVED BY R DEROSS | DATE 2005/02/07 | | | | |
| 2 PLACES | ±0.13 | ±.01 | DRAFT WHERE APPLICABLE MUST REMAIN WITHIN DIMENSIONS | | MATERIAL NO. SEE CHART | | | | | |
| 1 PLACE | ±0.25 | ±--- | | | SIZE B | | THIS DRAWING CONTAINS INFORMATION THAT IS PROPRIETARY TO MOLEX INCORPORATED AND SHOULD NOT BE USED WITHOUT WRITTEN PERMISSION | | | |