

**PLEASE CHECK WWW.MOLEX.COM FOR LATEST PART INFORMATION**

**Part Number:** [0351890250](#)  
**Status:** **Active**  
**Description:** 4.75mm (.187") Tab, MP-Lock™ Housing, 2 Circuits, 16.00mm (.630") Pitch, UL94V-2, Natural

**Documents:**

[3D Model](#) [Product Specification PS-35189-001 \(PDF\)](#)  
[Drawing \(PDF\)](#) [RoHS Certificate of Compliance \(PDF\)](#)

**Agency Certification**

CSA LR95446  
 UL E29179

**General**

Product Family Crimp Housings  
 Series [35189](#)  
 Product Name MP-Lock™

**Physical**

Breakaway No  
 Circuits (maximum) 2  
 Flammability 94V-2  
 Gender Female  
 Glow-Wire Compliant No  
 Keying to Mating Part None  
 Lock to Mating Part None  
 Number of Rows 1  
 Packaging Type Bag  
 Panel Mount No  
 Pitch - Mating Interface (in) 0.630 In  
 Pitch - Mating Interface (mm) 16.00 mm  
 Polarized to Mating Part Yes  
 Stackable No  
 Temperature Range - Operating -40°C to +105°C

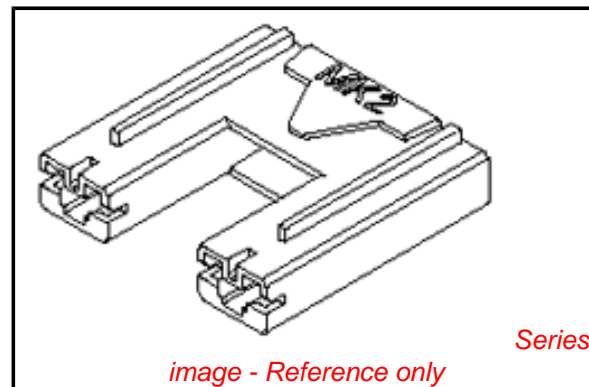
**Electrical**

Current - Maximum per Contact 12A

**Material Info**

**Reference - Drawing Numbers**

Product Specification PS-35189-001, RPS-35068-001  
 Sales Drawing SD-35189-0250



*image - Reference only*

**EU RoHS**

**ELV and RoHS Compliant**  
**REACH SVHC Contains SVHC: No**  
**Halogen-Free Status**

**China RoHS**



**Need more information on product environmental compliance?**

Email [productcompliance@molex.com](mailto:productcompliance@molex.com)  
 For a multiple part number RoHS Certificate of Compliance, [click here](#)

Please visit the [Contact Us](#) section for any non-product compliance questions.

**Search Parts in this Series**

[35189Series](#)

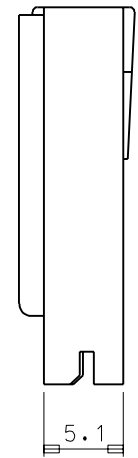
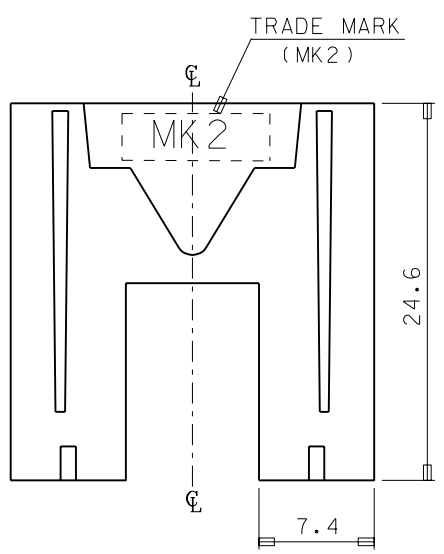
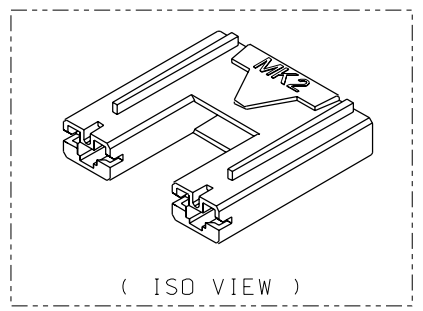
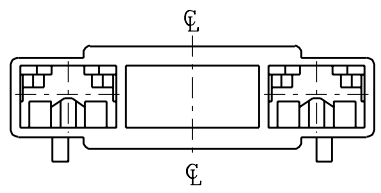
**Mates With**

Appliance Motor|Appliance Transformer

**Use With**

[35068](#) MP-Lock™ Quick Disconnect

DWG. NO. SD-35189-0250  
 SIMILAR ITEM  
 PROJECT NO.  
 DO NOT SCALE DRAWING DIMENSION IN METRIC

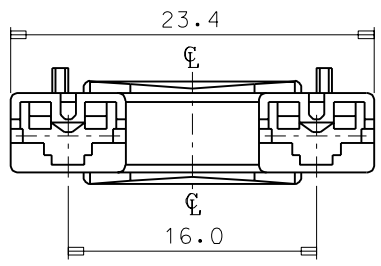
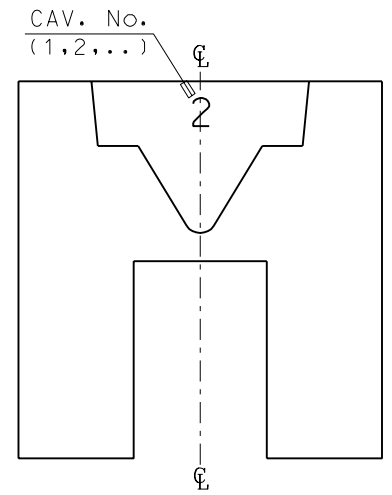


NOTES

1. MATERIAL & COLOR

MATERIAL NO.	ENG NO.	COLOR	MATERIAL
351890250	35189-0250	NATURAL	NYLON66(UL94V-2)
351890251	35189-0251	NATURAL	NYLON66(UL94V-0)
351899250	35189-9250	NATURAL	POLYPROPYLENE (UL 94V-0)
351899252	35189-9252	RED	
351899253	35189-9253	YELLOW	
351899254	35189-9254	BLUE	

2. APPLICABLE TERMINAL : 35068 - 9\*\*2



REVISED	ECN NO. KOR2002-0028
	DRWN: C.B.CHIN 01/10/12
C	CHK: W.Y. YANG
	APPR: C.W.LEE

QUALITY SYMBOLS	DESCRIPTION
MAJOR ▽ : 0	
CRITICAL ▽ : 0	

GENERAL TOLERANCES: (UNLESS SPECIFIED)	
	mm    INCH
4 PLACES	±0.    ±.
3 PLACES	±0.    ±.
2 PLACES	±0.    ±.
1 PLACE	±0.3    ±.
ANGULAR: ± 1 °	
DRAFT WHERE APPLICABLE MUST REMAIN WITHIN DIMENSIONS	

SCALE 3:1	DESIGN UNITS <input checked="" type="checkbox"/> mm <input type="checkbox"/> INCH
DRAWN BY & DATE J.S.KANG 01/04/17	
CHECKED BY & DATE B.K.CHOI 01/04/17	
APPROVED BY & DATE C.W.LEE 01/04/17	
CAD FILENAME S35189AA.DGN	

DIMENSIONS: <input type="checkbox"/> mm <input type="checkbox"/> INCH <input checked="" type="checkbox"/> mm ONLY		SHT	REV
THIRD ANGLE PROJECTION		REVISE ON CAD ONLY	
TITLE: .187 MP-LOCK HSG-2P (16mm PITCH)			
MOLEX INCORPORATED			
MATERIAL NO. SEE NOTES	DRAWING NO. SD-35189-0250	SHEET NO. 1 OF 1	
THIS DRAWING CONTAINS INFORMATION THAT IS PROPRIETARY TO MOLEX INCORPORATED AND SHOULD NOT BE USED WITHOUT WRITTEN PERMISSION.			SIZE B