

**PLEASE CHECK WWW.MOLEX.COM FOR LATEST PART INFORMATION**

**Part Number:** [1300061247](#)  
**Status:** **Active**  
**Overview:** [minichange\\_products](#)  
**Description:** Mini-Change® A-Size Single-Ended Cordset, Straight Female to Pigtail, 5 Poles, Length, 15.0m (49.21' )

**Documents:**

[Drawing \(PDF\)](#) [RoHS Certificate of Compliance \(PDF\)](#)

**Agency Certification**

CSA LR6837  
 UL E152210

**General**

Product Family Industrial Cordsets  
 Series [130006](#)  
 Comments A-Size (7/8" - 16 UN-2B)  
 Connector End A Mini-Change®  
 Connector End B Pigtail  
 IP Rating IP67  
 NEMA Rating NEMA 6  
 Overview [minichange\\_products](#)  
 Product Name Mini-Change®  
 Type Single Ended

**Physical**

Cable Diameter 12.70mm (.500")  
 Cable Length 15.0m (49.21' )  
 Color - Cable Jacket Yellow  
 Coupling Style Threaded  
 Gender Female-Pigtail  
 Keyway Single  
 LED Indicator No  
 Material - Cable Jacket PVC  
 Material - Connector Body PVC  
 Material - Contact Copper  
 Material - Coupling Nut Black Epoxy Coated Zinc  
 Material - Plating Mating Gold over Nickel  
 Orientation Straight  
 Poles 5  
 Temperature Range - Operating -20°C to +105°C  
 Wire Size AWG 16  
 Wire/Cable Type ST00W

**Electrical**

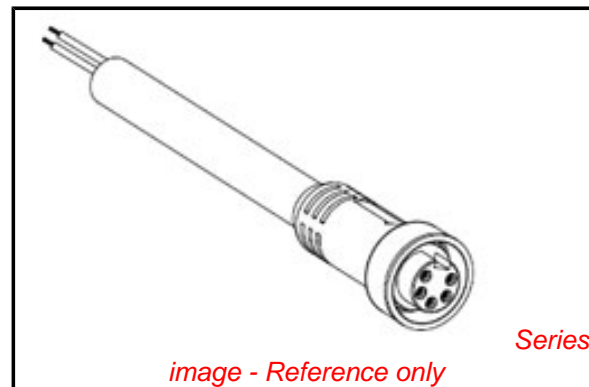
Current - Maximum per Contact 8A  
 Voltage - Maximum 600V

**Material Info**

Old Part Number 105000A02F150

**Reference - Drawing Numbers**

Sales Drawing SD-130006-021



*image - Reference only*

**EU RoHS**

**RoHS Compliant by Exemption**

**REACH SVHC**

Not Reviewed

**Halogen-Free**

**Status**

**Not Reviewed**

**China RoHS**



Pb

**Need more information on product environmental compliance?**

Email [productcompliance@molex.com](mailto:productcompliance@molex.com)  
 For a multiple part number RoHS Certificate of Compliance, [click here](#)

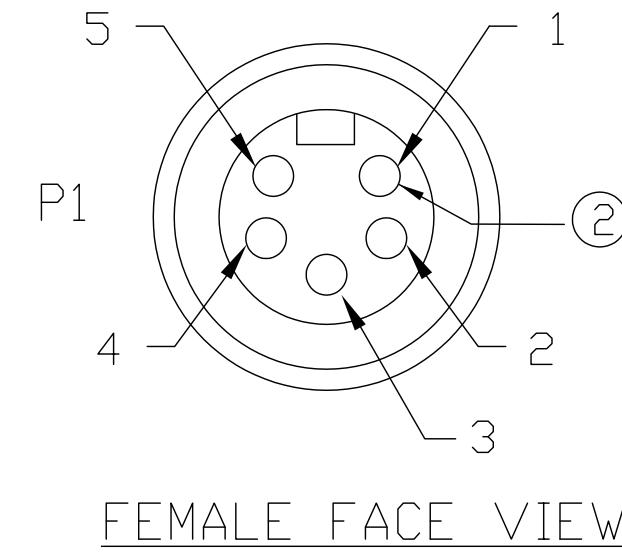
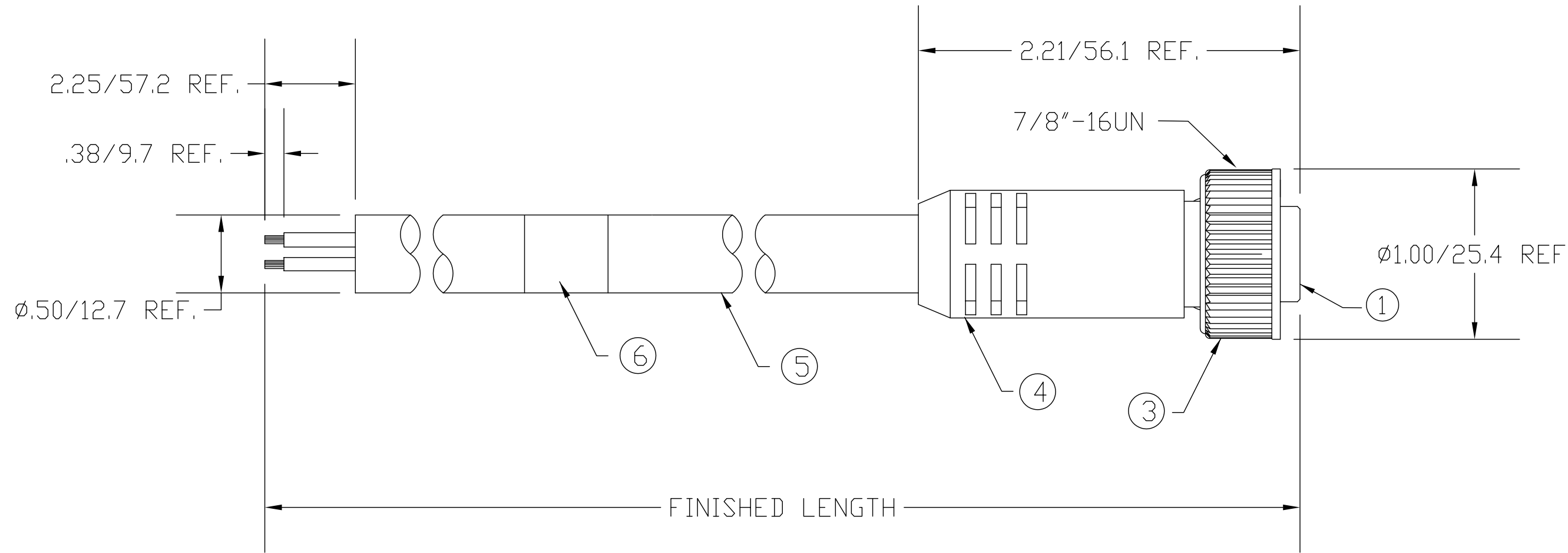
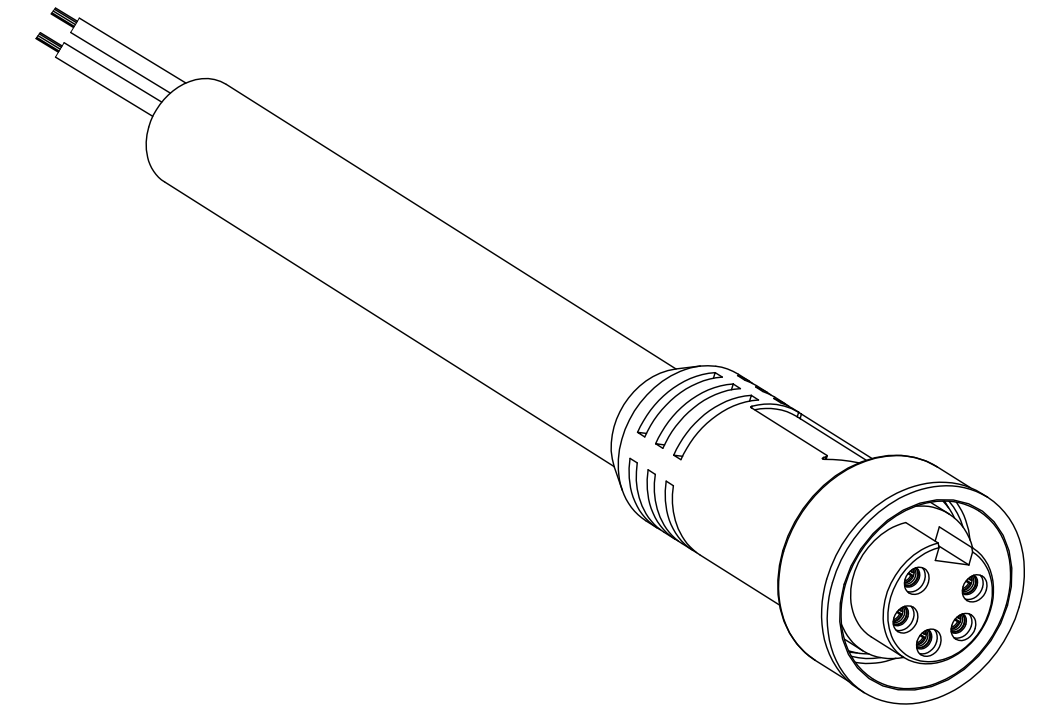
Please visit the [Contact Us](#) section for any non-product compliance questions.

**Search Parts in this Series**

[130006Series](#)

**PLEASE CHECK [WWW.MOLEX.COM](http://WWW.MOLEX.COM) FOR LATEST PART INFORMATION**

MATERIAL NUMBER	OLD PART NUMBER	FINISHED LENGTH
130006-1237	105000A02F030	3.00' +1.75" -0 [.9M +44.5 -0]
130006-1240	105000A02F060	6.00' +2.19" -0 [1.8M +55.6 -0]
130006-0043	105000A02F090	9.00' +3.50" -0 [2.7M +88.9 -0]
130006-1244	105000A02F120	12.00' +3.50" -0 [3.7M +88.9 -0]
130006-1247	105000A02F150	15.00' +6.50" -0 [4.6M +165.1 -0]
130006-1248	105000A02F200	20.00' +6.50" -0 [6.1M +165.1 -0]
130006-1250	105000A02F250	25.00' +12.50" -0 [7.6M +317.5 -0]



P1

1	RED WITH #1
2	RED WITH #2
3	GREEN-GND
4	RED WITH #4
5	RED WITH #5

WIRING DIAGRAM

VOLTAGE RATING	600 VAC/VDC
AMPERAGE RATING	8 AMPS
PROTECTION	IP67
OPERATING TEMPERATURE	-20°C TO 105°C
UL CERTIFICATIONS	UL RECOGNIZED, FILE NO. E46237
CSA CERTIFICATIONS	CSA CERTIFIED, FILE NO. LR6837

ITEM	COMPONENT	MATERIAL	FINISH
1	INSERT	PVC	YELLOW
2	CONTACT SOCKET	COPPER ALLOY	GOLD OVER NICKEL
3	COUPLING NUT	ZINC DIE CAST	BLACK E-COATED
4	OVERMOLD	PVC	YELLOW
5	CABLE- 16 AWG, (65 x #34 COPPER STRANDING) 5 CONDUCTOR 600V, UL ST00W, CSA ST	PVC	YELLOW
6	LABEL	MYLAR	BLACK/YELLOW

RLSD DRAWING  
 EC NO: WNA2010-0397  
 DRWN: BWOODMAN2009/12/22  
 CH'KD: LHARTMAN  
 APPR: JFMURPHY 2010/01/05

QUALITY SYMBOL  
 ▽=0  
 ∇=0

DESCRIPTION  
 REV A

GENERAL TOLERANCES (UNLESS SPECIFIED)	
	IN/MM
4 PLACES	±.--- / ±.---
3 PLACES	±.--- / ±.005
2 PLACES	±0.13 / ±.010
1 PLACE	±0.25 / ±.020
ANGULAR ±1/2°	
DRAFT WHERE APPLICABLE MUST REMAIN WITHIN DIMENSIONS	

DIMENSION STYLE	
IN/MM	
DRAWN BY	DATE
CHECKED BY	DATE
APPROVED BY	DATE
MATERIAL NO.	DATE
SEE CHART	

SCALE 1:1  
 DESIGN UNITS INCH  
 THIRD ANGLE PROJECTION

TITLE  
**MINI-CHANGE 5P FP CORDSET AUTO 16/5 AWG PVC AUTO**

MOLEX INCORPORATED

DOCUMENT NO. SD-130006-021  
 SHEET NO. 1 OF 1

THIS DRAWING CONTAINS INFORMATION THAT IS PROPRIETARY TO MOLEX INCORPORATED AND SHOULD NOT BE USED WITHOUT WRITTEN PERMISSION