

**PLEASE CHECK WWW.MOLEX.COM FOR LATEST PART INFORMATION**

**Part Number:** [0945504104](#)  
**Status:** **Active**  
**Overview:** [rast 5 connector system](#)  
**Description:** 5.00mm (.197") Pitch, Rast 5, PA Polyamide (Nylon) 6/6, UL 94V-2, 2 Circuits, Natural, Glow Wire Compatible

**Documents:**

[3D Model](#) [Product Specification PS-94550-001 \(PDF\)](#)  
[Drawing \(PDF\)](#) [RoHS Certificate of Compliance \(PDF\)](#)

**General**

Product Family	Crimp Housings
Series	<a href="#">94550</a>
Overview	<a href="#">rast 5 connector system</a>
Product Name	RAST 5

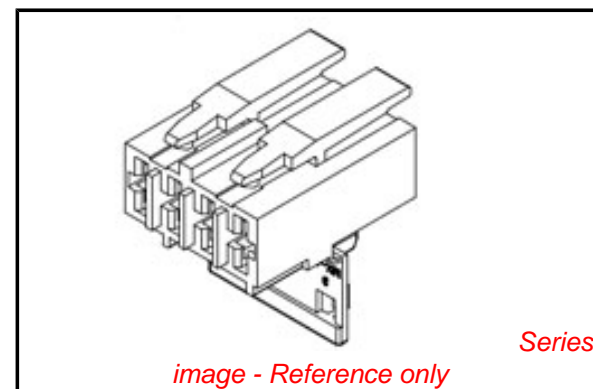
**Physical**

Circuits (maximum)	4
Color - Resin	Natural
Gender	Female
Glow-Wire Compliant	Yes
Lock to Mating Part	Yes
Material - Resin	Nylon
Number of Rows	1
Packaging Type	Bag
Panel Mount	No
Pitch - Mating Interface (in)	0.197 In
Pitch - Mating Interface (mm)	5.00 mm
Pitch - Term. Interface (in)	0.197 In
Pitch - Term. Interface (mm)	5.00 mm
Polarized to Mating Part	Yes
Ports	1
Stackable	No
Temperature Range - Operating	-40°C to +85°C

**Material Info**

**Reference - Drawing Numbers**

Product Specification	PS-94550-001
Sales Drawing	SD-94550-008
Test Summary	TS-94550-001



**EU RoHS**

**ELV and RoHS  
Compliant**  
**REACH SVHC  
Not Reviewed**  
**Halogen-Free  
Status  
Not Reviewed**

**China RoHS**



**Need more information on product  
environmental compliance?**

Email [productcompliance@molex.com](mailto:productcompliance@molex.com)  
 For a multiple part number RoHS Certificate of Compliance, [click here](#)

Please visit the [Contact Us](#) section for any non-product compliance questions.

**Search Parts in this Series**

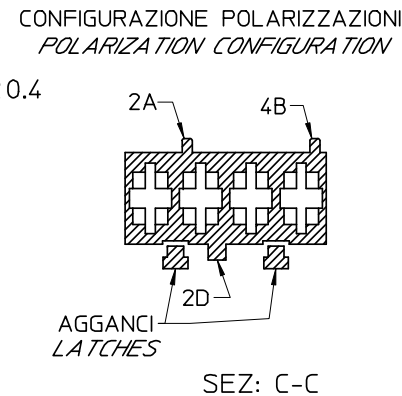
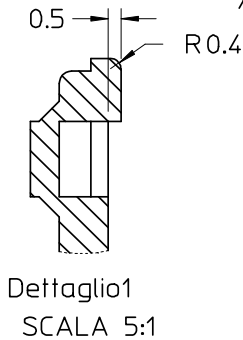
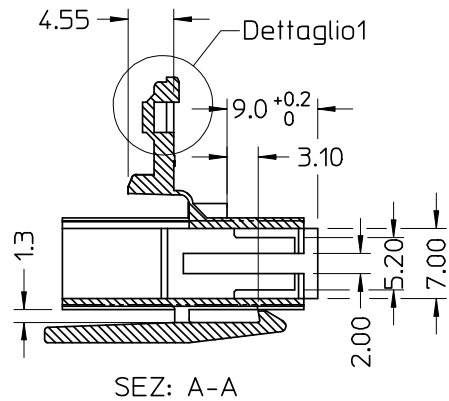
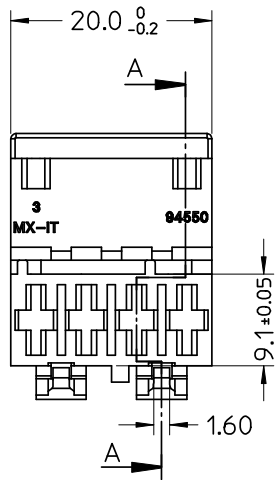
[94550Series](#)

**Mates With**

Rast 5 Headers, [90858](#) Vertical Header, [90879](#) Right Angle Header

**Use With**

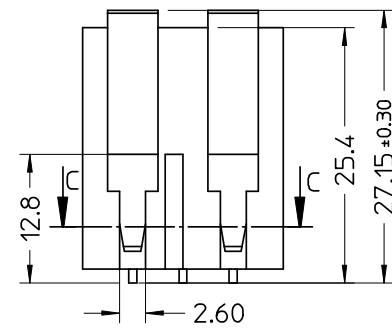
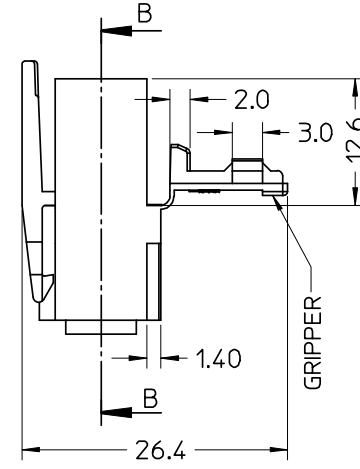
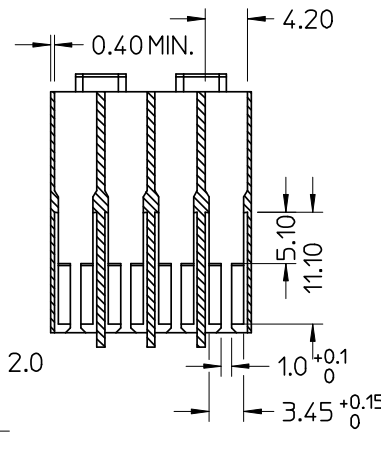
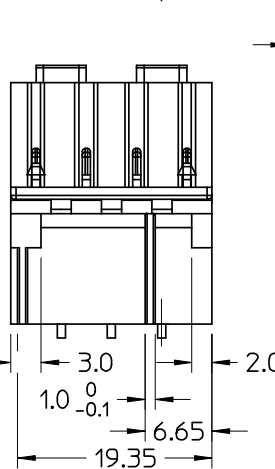
[94518](#) Crimp Terminal, [94549](#) Crimp Terminal



NOTE:  
 - USATO CON TERMINALE 94518-0XXX E 94549-0XXX  
 - SPECIFICA DI RIFERIMENTO PER IL CONNETTORE PS-94550-001  
 - PER CARATTERISTICHE DI CRIMPATURA RIF. SD-94518-005 E SD-94549-001  
 - FORZA DI DISACCOPIAMENTO CONNETTORE (TRAZIONANDO DAI CAVI SENZA AZIONARE L'AGGANCI): 60 N MIN.  
 - SPESSORE MINIMO PARETI CONNETTORE 0.40 mm.

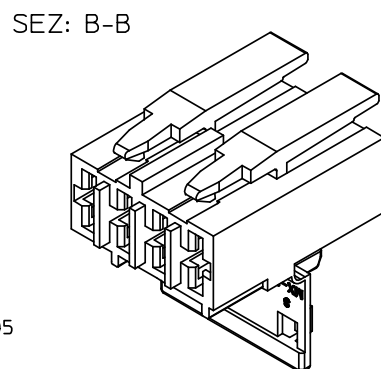
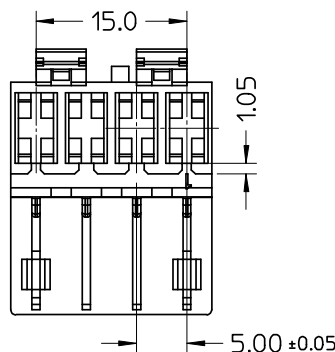
NOTE:  
 - USED WITH TERMINALS 94518-0XXX AND 94549-0XXX  
 - REFER TO PS-94550-001 FOR CONNECTOR SPECIFICATION  
 - REFER TO SD-94518-005 AND SD-94549-001 FOR CRIMPING CHARACTERISTICS  
 - CONNECTOR DISENGAGEMENT FORCE (PULLING BY THE WIRES, WITHOUT ACTUATING THE LATCH): 60 N MIN.  
 - MINIMUM CONNECTOR WALL THICKNESS 0.40 mm.

CONFEZIONE: Box da 1800 Pz.  
 PACKAGING: 1800 pcs in carton box



\* AGENCY RECOGNIZATIONS  
 CSA (file LR19980)  
 UL (file E-29179)

P/N	MATERIAL/COLOR
*94550-9104	NYLON 6.6 V0 NATURAL
*94550-9194	NYLON 6.6 V0 GREY
94550-4104	NYLON 6.6 GWT 750 °C sec.IEC 60335-1 TEST METHOD IEC 60695-2-11 NATURAL



SPQ =1800 Std. Descr: HSG W/SEC LOCK AND LATCH 4CKT \_\_\_\_\_ COLOR

EC NO: Z2008-0115 DRWN: FGOTTARD 2008/01/25 CHKD: LSANTIES 2008/01/25 APPR: GZUIN 2008/01/29	QUALITY SYMBOLS ▽ +0 ▽ -0	GENERAL TOLERANCES (UNLESS SPECIFIED)	SCALE 2:1	DESIGN UNITS METRIC	FIRST ANGLE PROJECTION	REVISE ON CAD ONLY													
		<table border="1"> <thead> <tr> <th></th> <th>mm</th> <th>INCH</th> </tr> </thead> <tbody> <tr> <td>4 PLACES</td> <td>± ---</td> <td>± ---</td> </tr> <tr> <td>3 PLACES</td> <td>± ---</td> <td>± ---</td> </tr> <tr> <td>2 PLACES</td> <td>± 0.10</td> <td>± ---</td> </tr> <tr> <td>1 PLACE</td> <td>± 0.2</td> <td>± ---</td> </tr> </tbody> </table>		mm	INCH	4 PLACES	± ---	± ---	3 PLACES	± ---	± ---	2 PLACES	± 0.10	± ---	1 PLACE	± 0.2	± ---	DIMENSION STYLE MM ONLY	TITLE HSG 4 CKT WITH SEC. LOCK AND EXTERNAL LATCH
			mm	INCH															
		4 PLACES	± ---	± ---															
3 PLACES	± ---	± ---																	
2 PLACES	± 0.10	± ---																	
1 PLACE	± 0.2	± ---																	
DRAFT WHERE APPLICABLE	DRAWN BY FGOTTARD DATE 2002/06/27	CHECKED BY MTESTAGU DATE 2002/06/27	MOLEX MOLEX INCORPORATED																
MUST REMAIN WITHIN DIMENSIONS	APPROVED BY GZUIN DATE 2002/06/27	THIS DRAWING CONTAINS INFORMATION THAT IS PROPRIETARY TO MOLEX INCORPORATED AND SHOULD NOT BE USED WITHOUT WRITTEN PERMISSION	MATERIAL NO. SEE TABLE DOCUMENT NO. SD-94550-008 SHEET NO. 1 OF 1																