

**PLEASE CHECK WWW.MOLEX.COM FOR LATEST PART INFORMATION**

**Part Number:** [0473270001](#)  
**Status:** **Active**  
**Overview:** [battery connectors](#)  
**Description:** 2.00mm (.079") Pitch Battery Connector, 4 Circuits, SMT, 0.70mm (.028") Contact Width, Lead-free

**Documents:**

[3D Model](#) [Product Specification PS-47103-001 \(PDF\)](#)  
[Drawing \(PDF\)](#) [RoHS Certificate of Compliance \(PDF\)](#)

**Agency Certification**

UL E29179

**General**

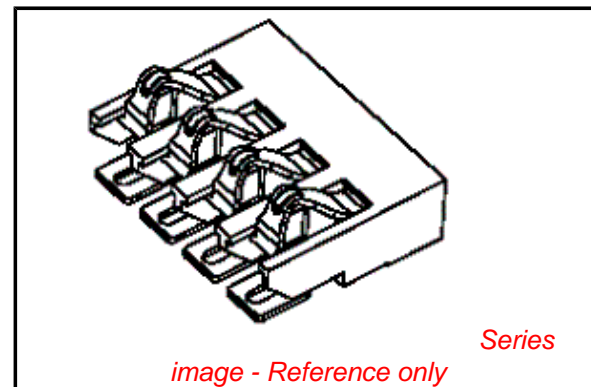
Product Family PCB Headers  
 Series [47327](#)  
 Application Board-to-Board  
 Comments Dimple in Contact Area  
 Overview [battery connectors](#)  
 Product Name Battery Connector, Compression Connector, One Piece

**Physical**

Breakaway No  
 Circuits (Loaded) 4  
 Circuits (maximum) 4  
 Durability (mating cycles max) 10,000  
 First Mate / Last Break No  
 Flammability 94V-0  
 Glow-Wire Compliant No  
 Guide to Mating Part No  
 Keying to Mating Part None  
 Lock to Mating Part None  
 Mated Height (in) 0.091 In  
 Mated Height (mm) 2.30 mm  
 Material - Plating Mating Gold  
 Material - Plating Termination Tin  
 Number of Rows 1  
 Orientation Vertical  
 PCB Locator No  
 PCB Retention None  
 Packaging Type Embossed Tape on Reel  
 Pitch - Mating Interface (in) 0.079 In  
 Pitch - Mating Interface (mm) 2.00 mm  
 Plating min: Mating (µin) 30  
 Plating min: Mating (µm) 0.76  
 Plating min: Termination (µin) 150  
 Plating min: Termination (µm) 3.80  
 Polarized to Mating Part No  
 Polarized to PCB No  
 Shrouded No  
 Stackable No  
 Temperature Range - Operating -40°C to +85°C  
 Termination Interface: Style Surface Mount

**Electrical**

Current - Maximum per Contact 1A



**EU RoHS**

**ELV and RoHS Compliant**  
**REACH SVHC**  
 Not Reviewed  
**Halogen-Free Status**  
**Not Reviewed**

**China RoHS**



**Need more information on product environmental compliance?**

Email [productcompliance@molex.com](mailto:productcompliance@molex.com)  
 For a multiple part number RoHS Certificate of Compliance, [click here](#)

Please visit the [Contact Us](#) section for any non-product compliance questions.

**Search Parts in this Series**

[47327Series](#)

Voltage - Maximum 200V

### **Solder Process Data**

Duration at Max. Process Temperature (seconds)	30
Lead-free Process Capability	Reflow Capable (SMT only)
Max. Cycles at Max. Process Temperature	2
Process Temperature max. C	245

### **Material Info**

### **Reference - Drawing Numbers**

Product Specification	PS-47103-001
Sales Drawing	SD-47327-001

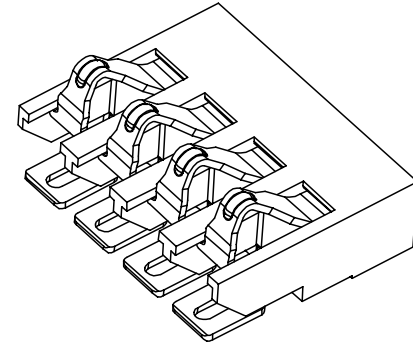
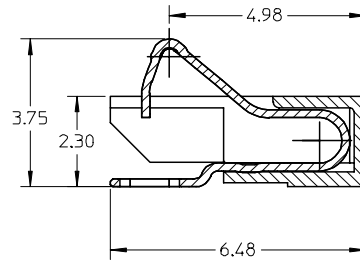
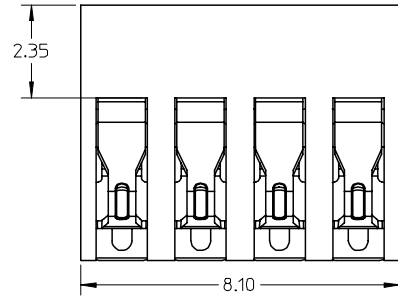
This document was generated on 05/26/2010

**PLEASE CHECK [WWW.MOLEX.COM](http://WWW.MOLEX.COM) FOR LATEST PART INFORMATION**

10 9 8 7 6 5 4 3 2 1

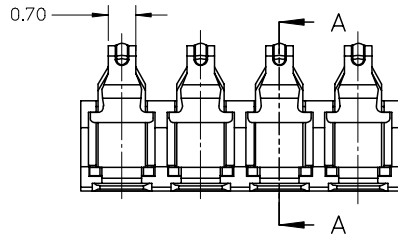
F

F



E

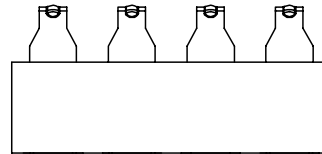
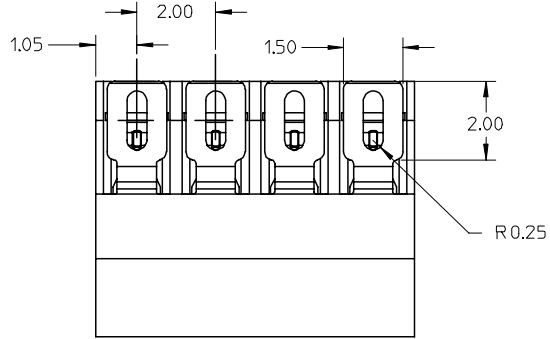
E



SECTION A-A

D

D



NOTE:

1.MATERIAL:

HOUSING: LCP, 30% GLASS-FILLED, UL 94V-0, COLOR :BLACK  
 TERMINAL: 0.20MM PHOSPHOR BRONZE.

2.FINISH:

CONTACT AREA: 0.75 MICRON GOLD MIN OVER 1.25 MICRON NICKEL MIN.  
 SOLDER AREA: 3.75 MICRON PURE TIN MIN OVER 1.25 MICRON NICKEL MIN.  
 REST AREA: 1.25 MICRON NICKEL MIN.

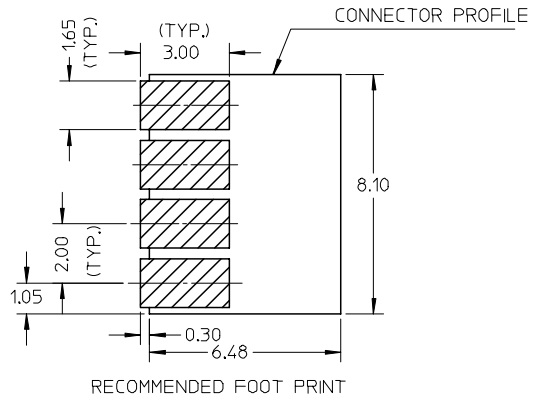
3.COPLANARITY: 0.1 MAX AMONG THESE SOLDER TAILS.

4.PRODUCT SPECIFICATION REFER TO PS-47103-001

5.PACKAGE REFER TO PK-47103-001

B

B



A

A

NEW RELEASE EC NO: SH2006-0172 DRWN:SSUN 2005/10/25 CHKD:YJWU 2005/10/25 APPR:GCHEN 2005/10/25	QUALITY SYMBOLS ▽=0 ▽C=0	GENERAL TOLERANCES (UNLESS SPECIFIED) mm INCH	DIMENSION STYLE MM ONLY	SCALE 5:1	DESIGN UNITS METRIC	THIRD ANGLE PROJECTION
	4 PLACES ± --- ± --- 3 PLACES ± --- ± --- 2 PLACES ± 0.15 ± --- 1 PLACE ± 0.20 ± --- ANGULAR ± 2 °	DRAWN BY DATE SSUN 2005/09/12 CHECKED BY DATE YJWU 2005/09/12 APPROVED BY DATE GARY CHEN 2005/09/12	TITLE 2.0MM PITCH 4 CIRCUITS BATTERY CONNECTOR			
	DRAFT WHERE APPLICABLE MUST REMAIN WITHIN DIMENSIONS	MATERIAL NO. 473270001	DOCUMENT NO. SD-47327-001	SHEET NO. 1 OF 1		
	SIZE A3	THIS DRAWING CONTAINS INFORMATION THAT IS PROPRIETARY TO MOLEX INCORPORATED AND SHOULD NOT BE USED WITHOUT WRITTEN PERMISSION				

9 8 7 6 5 4 3 2 1