

PLEASE CHECK WWW.MOLEX.COM FOR LATEST PART INFORMATION

Part Number: [0511110510](#)
Status: **Active**
Description: 2.50mm (.098") Pitch Wire-to-Wire and Wire-to-Board Receptacle Housing, without Retainer, 5 Circuits

Documents:

3D Model	Product Specification PS-51111-002 (PDF)
Drawing (PDF)	Product Specification PS-51111-003 (PDF)
Product Specification PS-51111-001 (PDF)	RoHS Certificate of Compliance (PDF)

Agency Certification

CSA	LR19980
UL	E29179

General

Product Family	Crimp Housings
Series	51111
Product Name	N/A

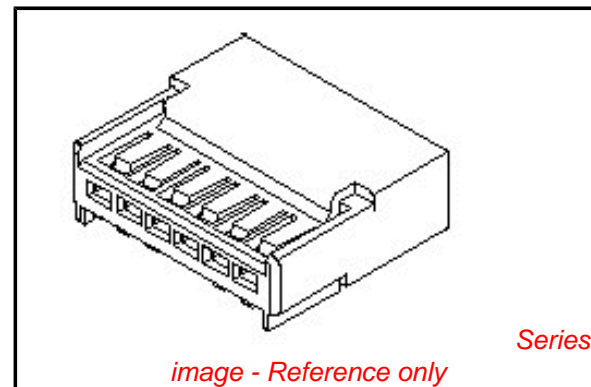
Physical

Circuits (maximum)	5
Color - Resin	Natural
Flammability	94V-0
Gender	Female
Glow-Wire Compliant	No
Material - Resin	Polyester
Number of Rows	1
Packaging Type	Bag
Panel Mount	No
Pitch - Mating Interface (in)	0.098 In
Pitch - Mating Interface (mm)	2.50 mm
Stackable	No
Temperature Range - Operating	-40°C to +105°C

Material Info

Reference - Drawing Numbers

Product Specification	PS-51111-001, PS-51111-002, PS-51111-003, RPS-51111-001, RPS-51111-004, RPS-51111-005, RPS-51111-006
Sales Drawing	SD-51111-**10



EU RoHS

**ELV and RoHS
Compliant**
**REACH SVHC
Contains SVHC: No**
**Halogen-Free
Status
Not Reviewed**

China RoHS



**Need more information on product
environmental compliance?**

Email productcompliance@molex.com
 For a multiple part number RoHS Certificate of
 Compliance, [click here](#)

Please visit the [Contact Us](#) section for any
 non-product compliance questions.

Search Parts in this Series

[51111Series](#)

Mates With

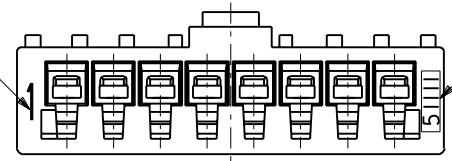
[51112](#) , [51112wr](#) , [53561](#) , [53730](#)

Use With

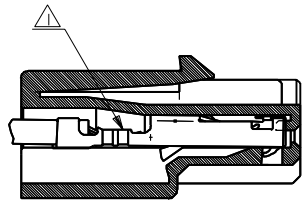
[50397](#)

DWG. NO. SD-51111-***10

回路番号
CIRCUIT NO. 1



ENG. NO.

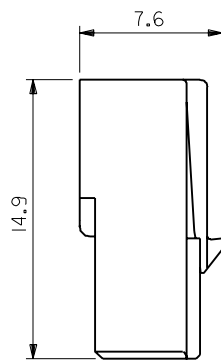
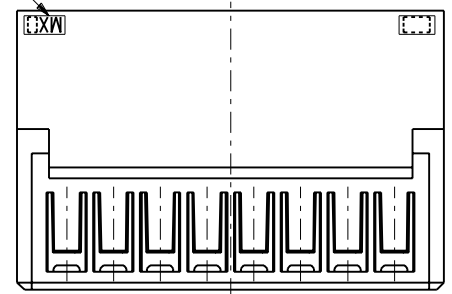


ターミナル装着状態図
TERMINAL ASSEMBLY DRAWING

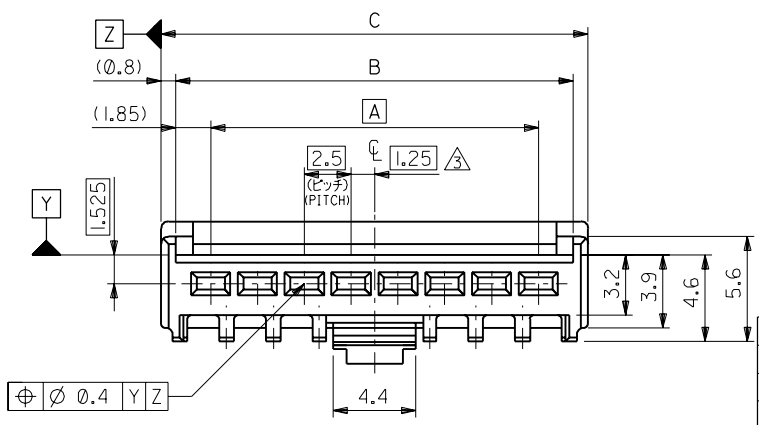
注記 NOTES

- △ 適合ターミナル：50397シリーズ
APPLICABLE TERMINAL：50397 SERIES
- 2. 嵌合相手：51112,53730,53930シリーズ
MATE WITH：51112,53730,53930 SERIES
- △ 偶数極の製品に適用。
APPLY EVEN CIRCUIT PRODUCTS.

トレードマーク
TRADE MARK



DIMENSIONS IN METRIC DO NOT SCALE DRAWING



40.3	38.7	35	51111-1510	15
37.8	36.2	32.5	▲ -1410	14
35.3	33.7	30	-1310	13
32.8	31.2	27.5	-1210	12
30.3	28.7	25	-1110	11
27.8	26.2	22.5	-1010	10
25.3	23.7	20	-0910	9
22.8	21.2	17.5	-0810	8
20.3	18.7	15	-0710	7
17.8	16.2	12.5	-0610	6
15.3	13.7	10	-0510	5
12.8	11.2	7.5	-0410	4
10.3	8.7	5	▼ -0310	3
7.8	6.2	2.5	51111-0210	2
C	B	A	ENG. NO.	極数 NO. OF CKT.

角度 ANGLE	±3°				
30以上 OVER	+0.3	B	変更 REVISD (JC80015)	K.T	97/7/7
10以上 30未滿 UNDER	+0.25	A	変更 REVISD (J40498)	S.K	94/6/22
10未滿 UNDER	+0.2	0	新規作成 RELEASED (J30895)	H.H	93/9/6
一般公差 GENERAL TOLERANCES		記号 LTR	変更内容 REVISION RECORD	DR. CHK.	日付 DATE

材料 MATERIAL	PBTP, UL94V-0 (白色 WHITE)
仕上げ FINISH	—
適用電線範囲 WIRE RANGE	—
被覆外径 INS. RANGE	—
DRAWN BY '93/9/6	CHK'D BY '97/7/7
K.TOJO	S.KUNISHI
APP'D BY '97/7/7	M.FUKUSHIMA
尺度 SCALE	4 : 1

molex MOLEX-JAPAN CO.,LTD.
日本モレックス株式会社

REVISE ONLY ON CAD SYSTEM

TITLE 名称
2.5 WIRE TO WIRE CONN.
RECEPTACLE HOUSING

DWG. NO. SD-51111-***10

REV B