

PLEASE CHECK WWW.MOLEX.COM FOR LATEST PART INFORMATION

Part Number: [0554512270](#)
Status: **Active**
Description: 1.25mm (.049") Pitch Mi II™ System Wire-to-Board Header, Dual Row, Vertical, Lead-free, 22 Circuits

Documents:

[3D Model](#) [Product Specification PS-54596-019 \(PDF\)](#)
[Drawing \(PDF\)](#) [RoHS Certificate of Compliance \(PDF\)](#)

General

Product Family	PCB Headers
Series	55451
Application	Wire-to-Board
Product Name	Mini Mi II™

Physical

Breakaway	No
Circuits (Loaded)	22
Color - Resin	Natural
Durability (mating cycles max)	30
First Mate / Last Break	No
Glow-Wire Compliant	No
Guide to Mating Part	No
Keying to Mating Part	Yes
Lock to Mating Part	Yes
Material - Plating Mating	Tin
Material - Plating Termination	Tin
Material - Resin	Nylon
Number of Rows	2
Orientation	Vertical
PC Tail Length (in)	0.118 In
PC Tail Length (mm)	3.00 mm
PCB Locator	Yes
PCB Retention	Yes
PCB Thickness Recommended (in)	0.062 In
PCB Thickness Recommended (mm)	1.60 mm
Packaging Type	Tray
Pitch - Mating Interface (in)	0.049 In
Pitch - Mating Interface (mm)	1.25 mm
Shrouded	Fully
Stackable	No
Surface Mount Compatible (SMC)	No
Temperature Range - Operating	-40°C to +105°C
Termination Interface: Style	Through Hole

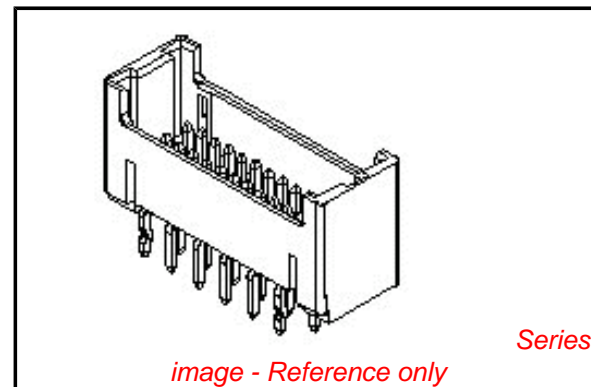
Electrical

Current - Maximum per Contact	1.5A
Voltage - Maximum	100V

Material Info

Reference - Drawing Numbers

Product Specification	PS-54596-019
Sales Drawing	SD-55451-006



EU RoHS

ELV and RoHS Compliant
REACH SVHC Contains SVHC: No
Halogen-Free Status

China RoHS



Need more information on product environmental compliance?

Email productcompliance@molex.com
 For a multiple part number RoHS Certificate of Compliance, [click here](#)

Please visit the [Contact Us](#) section for any non-product compliance questions.

Search Parts in this Series

[55451Series](#)

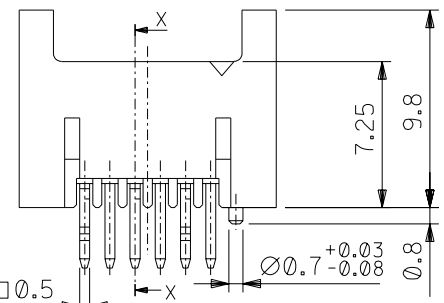
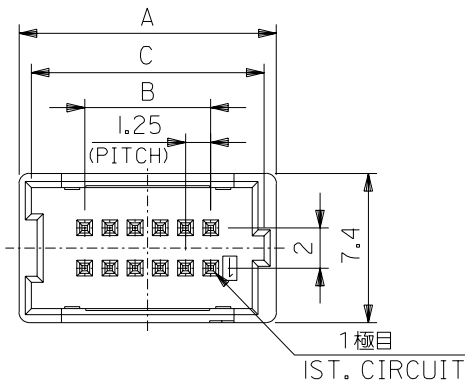
Mates With

[54596 IDT Receptacle Housing](#)

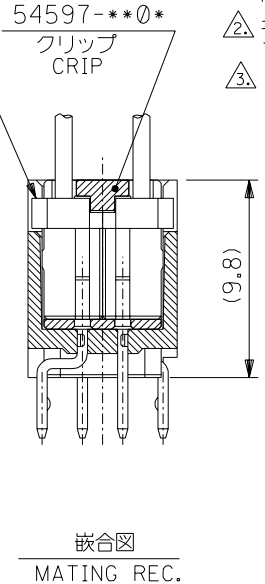
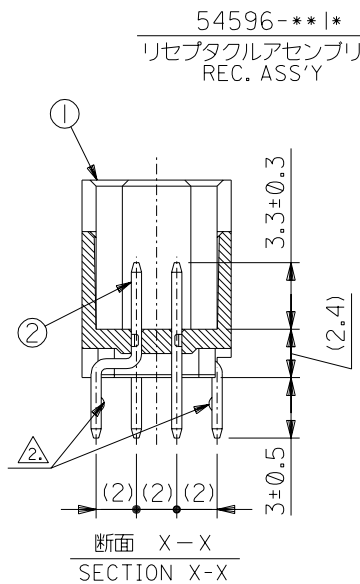
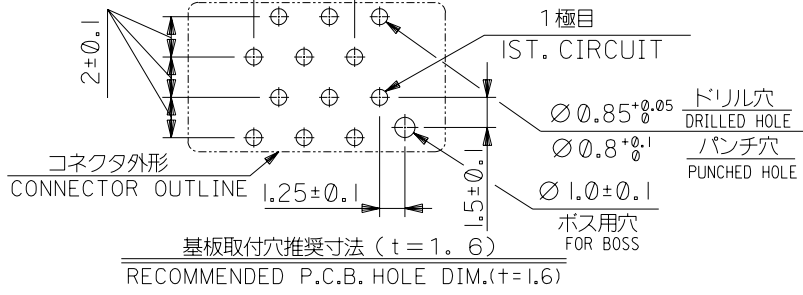
This document was generated on 04/16/2010

PLEASE CHECK WWW.MOLEX.COM FOR LATEST PART INFORMATION

DWG. NO. SD-55451-006



非累積公差
NON-CUMULATIVE



無鉛
LEAD FREE

番号 NO.	名称 NAME	原料 MATERIAL	数量 QTY	仕上げ FINISH
①	ウエハー WEFAR	ナイロン NYLON	1	UL94V-0
②	ピン PIN	黄銅 BRASS	N	全体錫メッキ PRE-TINNED

注)NOTES

- 1. 原料および仕上げ: 表参照 MATERIAL AND FINISH : SEE CHART
- 2. キングは、両サイド4ピンに適用。(4極品までは、全極に適用) TO BE APPLICABLE 4 PIN OF BOTH SIDE.
- 3. 製品番号 MATERIAL NO. 55451-***7*

極数 CIRCUIT SIZE (10 ~ 40)
メッキ仕様: 無鉛 PLATING: LEAD FREE
色 COLOR 0: 自然色 NATURAL

29.05	23.75	30.25	40	55451-407*
27.8	22.5	29	38	-387*
26.55	21.25	27.75	36	-367*
25.3	20	26.5	34	-347*
24.05	18.75	25.25	32	-327*
22.8	17.5	24	30	-307*
21.55	16.25	22.75	28	-287*
20.3	15	21.5	26	-267*
19.05	13.75	20.25	24	-247*
17.8	12.5	19	22	-227*
16.55	11.25	17.75	20	-207*
15.3	10	16.5	18	-187*
14.05	8.75	15.25	16	-167*
12.8	7.5	14	14	-147*
11.55	6.25	12.75	12	-127*
10.3	5	11.5	10	55451-107*
C	B	A	極数 CIRCUIT SIZE	製品番号 MATERIAL NO.

MODEL NO. 55451-***7*

DO NOT SCALE DRAWING

EC NO.	DRWN:	CHK:	APPR:	EC NO.	DRWN:	CHK:	APPR:	EC NO.	DRWN:	CHK:	APPR:	EC NO.	DRWN:	CHK:	APPR:	EC NO.	DRWN:	CHK:	APPR:	
<p>新規作成 RELEASED EC NO. 42003-2786 DRWN: N. YOSHIDA 03/05/01 CHK: M. YAGI APPR: Y. ITO</p>																				
<p>DESCRIPTION: SEE CHART</p>																				
<p>MATERIAL 材料: SEE CHART</p>																				
<p>FINISH 仕上げ: SEE CHART</p>																				
<p>WIRE RANGE 適用線径範囲: —</p>																				
<p>INS. RANGE 被覆外径: —</p>																				
<p>GENERAL TOLERANCES: (UNLESS SPECIFIED) 一般公差</p>																				
<p>10 UNDER 未満 ±0.2</p>																				
<p>10 OVER 30 UNDER 以上 未満 ±0.25</p>																				
<p>30 OVER 以上 ±0.3</p>																				
<p>ANGLE 角度 ±3°</p>																				
<p>SCALE 4-1</p>																				
<p>DESIGN UNITS 一般公差: <input checked="" type="checkbox"/> mm <input type="checkbox"/> INCH</p>																				
<p>THIRD ANGLE PROJECTION</p>																				
<p>DIMENSIONS: <input type="checkbox"/> mm <input type="checkbox"/> INCH <input checked="" type="checkbox"/> mm ONLY</p>																				
<p>SHT REV</p>																				
<p>REVISION ON CAD ONLY</p>																				
<p>DRAWN BY & DATE: N. YOSHIDA 03/02/12</p>																				
<p>CHECKED BY & DATE: Y. ITO</p>																				
<p>APPROVED BY & DATE: Y. ITO</p>																				
<p>CAD FILENAME: 55451006.S01</p>																				
<p>TITLE: Mini MiII 2-ROW WAFER ASS'Y (Sn)</p>																				
<p>MOLEX MOLEX INCORPORATED</p>																				
<p>MATERIAL NO. SEE CHART</p>																				
<p>DRAWING NO. SD-55451-006</p>																				
<p>SHEET NO. 1 OF 1</p>																				
<p>THIS DRAWING CONTAINS INFORMATION THAT IS PROPRIETARY TO MOLEX INCORPORATED AND SHOULD NOT BE USED WITHOUT WRITTEN PERMISSION.</p>																				
<p>SIZE B</p>																				