

**PLEASE CHECK WWW.MOLEX.COM FOR LATEST PART INFORMATION**

**Part Number:** [0712511003](#)  
**Status:** **Active**  
**Description:** 1.27mm (.050") Pitch DIMM Socket, Vertical, Multiple Keys, Plastic Peg, 168 Circuits, 3.3V Nonram

**Documents:**

[3D Model](#) [Product Specification PS-71243-9999 \(PDF\)](#)  
[Drawing \(PDF\)](#) [RoHS Certificate of Compliance \(PDF\)](#)

**Agency Certification**

CSA LR19980  
 UL E29179

**General**

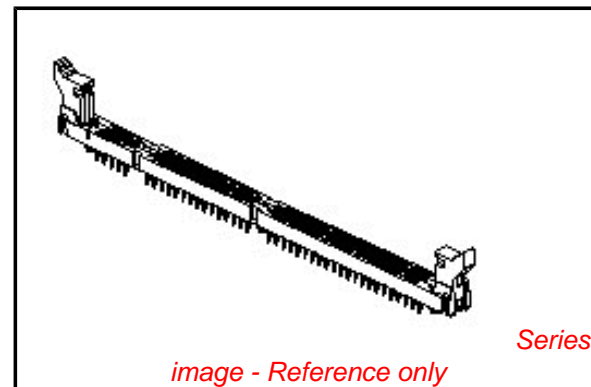
Product Family Memory Module Sockets  
 Series [71251](#)  
 Comments Function Key Center, Voltage Key Center  
 Component Type Memory Module  
 JEDEC Outline MO-161  
 Product Name DIMM

**Physical**

Circuits (Loaded) 168  
 Circuits (maximum) 168  
 Color - Resin Black, Natural  
 Durability (mating cycles max) 25  
 Entry Angle Vertical (Top Entry)  
 Flammability 94V-0  
 Function Key Center  
 Keying to Mating Part Yes  
 Material - Metal Phosphor Bronze  
 Material - Plating Mating Gold  
 Material - Plating Termination Tin  
 Material - Resin High Temperature Thermoplastic  
 PC Tail Length (in) 0.112 In  
 PC Tail Length (mm) 2.84 mm  
 PCB Locator Yes  
 PCB Retention Yes  
 PCB Thickness Recommended (in) 0.062 In  
 PCB Thickness Recommended (mm) 1.57 mm  
 Packaging Type Tray  
 Pitch - Mating Interface (in) 0.050 In  
 Pitch - Mating Interface (mm) 1.27 mm  
 Pitch - Term. Interface (in) 0.050 In  
 Pitch - Term. Interface (mm) 1.27 mm  
 Plating min: Mating (µin) 2  
 Plating min: Mating (µm) 0.05  
 Plating min: Termination (µin) 150  
 Plating min: Termination (µm) 3.81  
 Temperature Range - Operating -40°C to +85°C  
 Termination Interface: Style Through Hole

**Electrical**

Current - Maximum per Contact 1A  
 Voltage - Maximum 100V AC (RMS)/DC  
 Voltage Key Center



**EU RoHS**

**ELV and RoHS  
 Compliant**  
**REACH SVHC**  
 Not Reviewed  
**Halogen-Free  
 Status**  
**Not Reviewed**

**China RoHS**



**Need more information on product  
 environmental compliance?**

Email [productcompliance@molex.com](mailto:productcompliance@molex.com)  
 For a multiple part number RoHS Certificate of  
 Compliance, [click here](#)

Please visit the [Contact Us](#) section for any  
 non-product compliance questions.

**Search Parts in this Series**

[71251Series](#)

**Mates With**

JEDEC MO-161 modules

**Solder Process Data**

Lead-free Process Capability

Wave Capable (TH only)

**Material Info****Reference - Drawing Numbers**

Product Specification

PS-71243-9999

Sales Drawing

SDA-71251-1\*\*\*

This document was generated on 04/13/2010

**PLEASE CHECK [WWW.MOLEX.COM](http://WWW.MOLEX.COM) FOR LATEST PART INFORMATION**

NOTES:

- CARD SLOT ACCEPTS  $.050 \pm .004$  (1.27 $\pm$ 0.10) MODULE THICKNESS. (MEASURED OVER P.C. PADS).
- ALL PEGS ARE INTERFERENCE FITS TO PCB UNLESS NOTED ON THE DWG.
- REFER TO PRODUCT SPEC PS-71243-9999 FOR PERFORMANCE SPECIFICATIONS.
- PRODUCT IS PACKAGED IN TRAYS.
- RECOMMENDED MODULE LAYOUT SHALL BE PER JEDEC MO-161.
- RECOMMENDED PLATING ON MODULE PADS: 30 MICROINCH/(0.76 MICROMETER) MINIMUM HARD GOLD (Au) OVER 79 MICROINCH/(2.0 MICROMETER) MINIMUM NICKEL (Ni).
- DIM. "G" APPLIES WHEN PEG IS PRESENT.
- PRODUCT WILL HAVE DATE CODE STAMPED ON SIDE OF HOUSING.

MATERIALS:

HOUSING - GLASS FILLED LIQUID CRYSTAL POLYMER (LCP), UL 94V-0, COLOR: BLACK.  
 TERMINAL - PHOSPHOR BRONZE  
 LATCHES - GLASS FILLED HIGH TEMPERATURE NYLON, UL 94V-0, COLOR: IVORY.

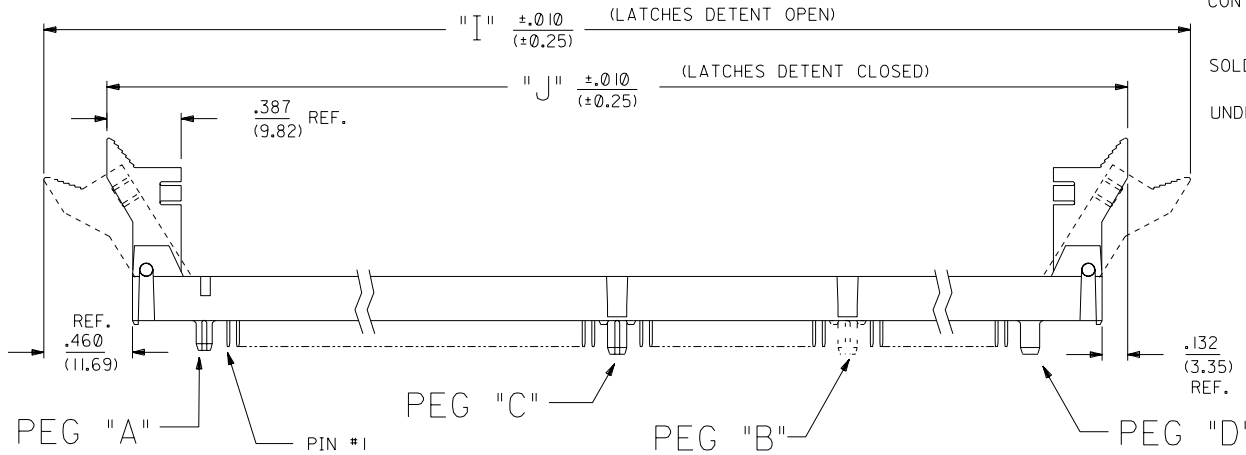
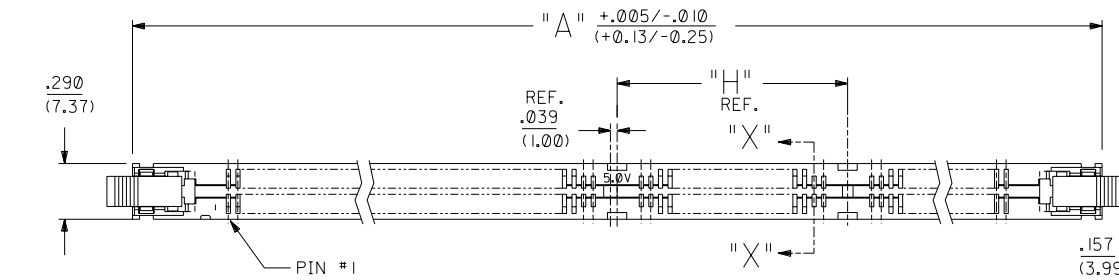
PLATING:

CONTACT AREA: GOLD (Au) FLASH: THICKNESS=2-10 MICROINCH/(0.05-0.25 MICROMETER), OVER PALLADIUM-NICKEL (Pd-Ni): THICKNESS=30 MICROINCH/(0.76 MICROMETER) MINIMUM.  
 SOLDER TAILS: TIN (Sn): THICKNESS=150 MICROINCH/(3.81 MICROMETER) MINIMUM.

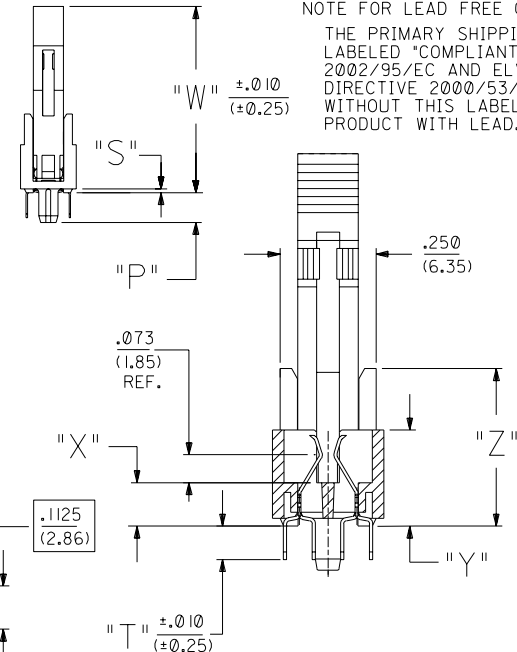
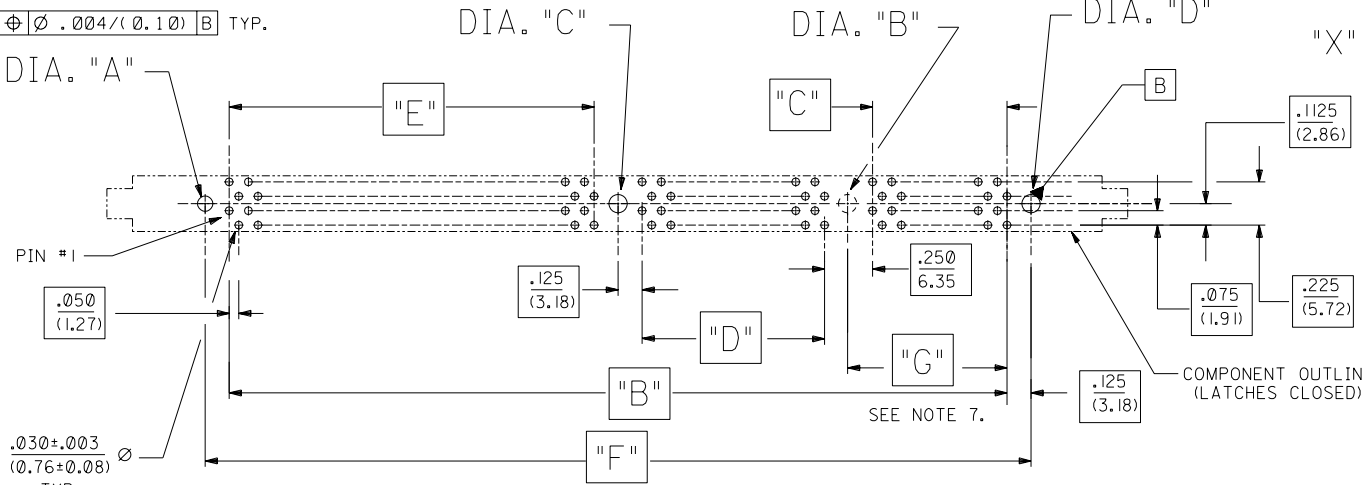
UNDERPLATE: NICKEL (Ni) OVER ENTIRE CONTACT.

NOTE FOR LEAD FREE CONVERSION:

THE PRIMARY SHIPPING CARTON WILL BE LABELED "COMPLIANT TO RoHS DIRECTIVE 2002/95/EC AND ELV ANNEX II OF DIRECTIVE 2000/53/EC". CARTONS WITHOUT THIS LABEL MAY CONTAIN PRODUCT WITH LEAD.



71251-1002 SHOWN



SECTION "X-X"  
SCALE 4:1

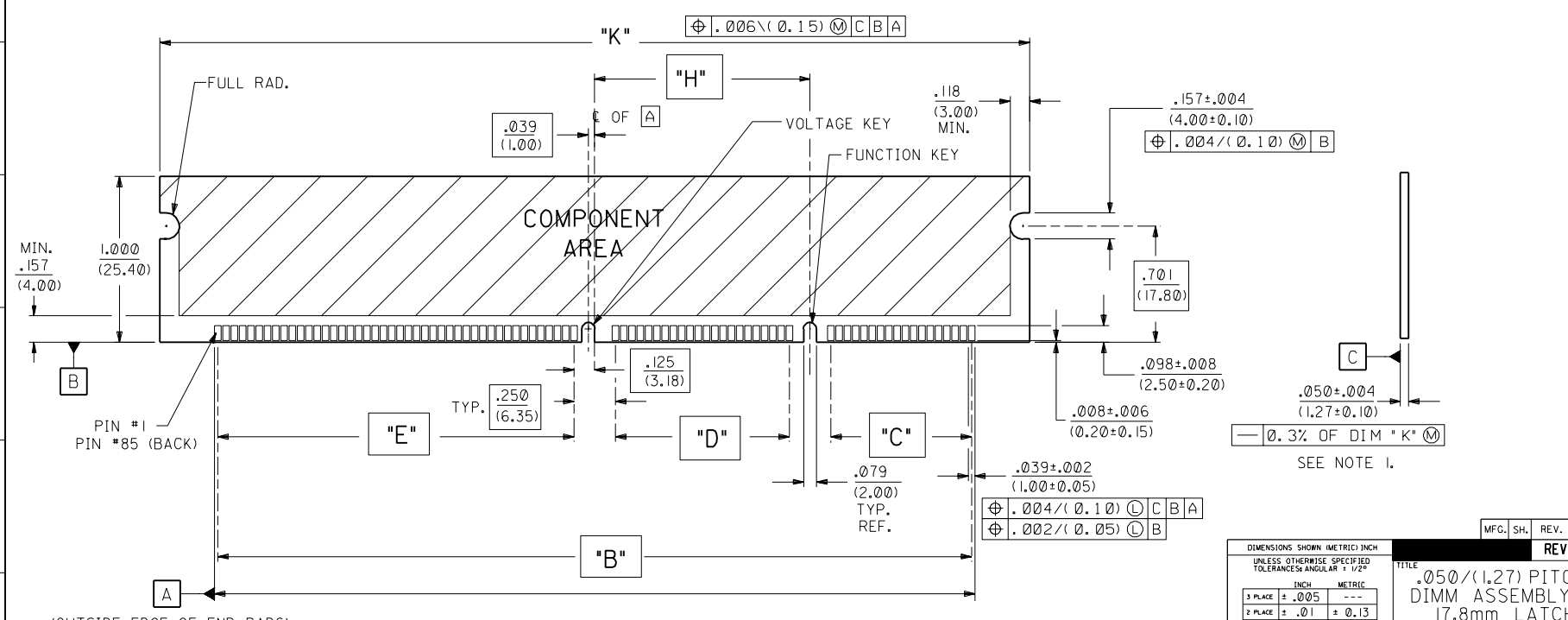
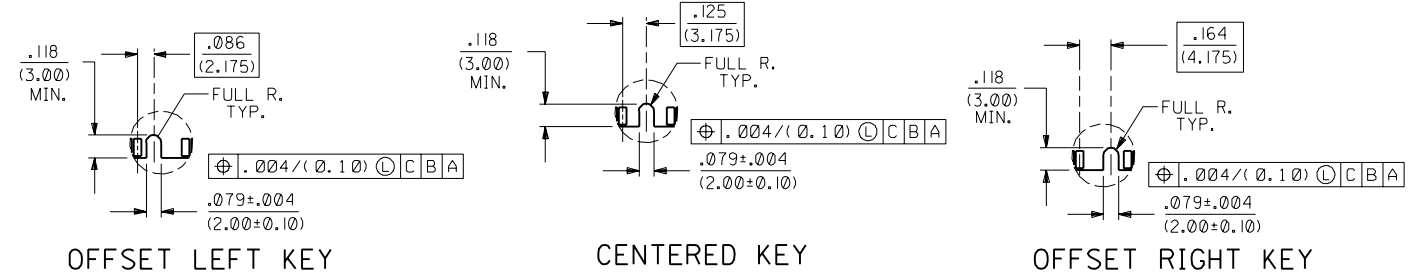
D1	ADD LEAD FREE NOTE ECN# UCP2004-1132 DMORGAN 04/03/09
D	CHG Sn-Pb THICKNESS ECN# UDI1999-0454 DMORGAN 99/08/09
C	REVISED PER ECR# U61133 96-9-25 LAURX
B	REVISED PER ECR# U51288 8-4-95 JCL
A	RMVD X, REVISED PER ECR# U50617 12-27-94 JCL
2	REVISED PER ECR# U50419 11-8-94 JCL
1	"X" RELEASED PER ECR# U40711 10-18-94 JCL

DIMENSIONS SHOWN (METRIC) INCH UNLESS OTHERWISE SPECIFIED TOLERANCES: ANGULAR $\pm 1/2^\circ$		REVISE ONLY ON CAD SYSTEM	
3 PLACE $\pm .005$	INCH	TITLE ".050/(1.27) PITCH MULTI-KEY DIMM ASSEMBLY FOR NONRAM 17.8mm LATCH SALES DWG	
2 PLACE $\pm \dots \pm 0.13$	METRIC	MOLEX INCORPORATED SHEET NO. DATE U.S.A. 1 OF 2 10/18/94	
1 PLACE $\dots \pm 0.25$		PART NO. DRWG. NO. SEE CHART SDA-71251-1***	
DRAFT WHERE APPLICABLE MUST REMAIN WITHIN DIMENSIONS		FILE NAME S7125111.DGN	
DRWG. BY: JCL	CHK'D. BY: DCB	THIS DRAWING CONTAINS INFORMATION THAT IS PROPRIETARY TO MOLEX INC. AND SHOULD NOT BE USED WITHOUT WRITTEN PERMISSION	
APP'D. BY:	SCALE: 2:1	SIZE CP C	

X= N.T.	ITEM NO. 71251-1-***	CKT SIZE	DESCRIPTION	FUNCTION KEY	VOLTAGE KEY	DIA. "A"		DIA. "B"		DIA. "C"		DIA. "D"		DIM. "A"		DIM. "B"		DIM. "C"		DIM. "D"		DIM. "E"		DIM. "F"		DIM. "G"		DIM. "H"		DIM. "I"		DIM. "J"		DIM. "K"		DIM. "P"		DIM. "S"		DIM. "T"		DIM. "W"		DIM. "X"		DIM. "Y"		DIM. "Z"	
						(2.03±0.05)	NONE	(2.36±0.08/-0.00)	(2.36±0.08/-0.00)	5.550 (140.97)	4.550 (115.57)	.950 (24.13)	.950 (24.13)	2.150 (54.61)	4.800 (121.92)	N.A.	1.200 (30.48)	6.470 (164.34)	5.814 (147.67)	5.250 (133.35)	.155 (3.94)	.020 (0.51)	.127 (3.23)	.970 (24.64)	.113 (2.87)	.113 (2.87)	.250 (6.35)	.410 (10.41)																					
	-1001	168	3.3 VOLT NONRAM	CENTER	CENTER	.080±.002 (2.03±0.05)	NONE	.093±.003/-0.00 (2.36±0.08/-0.00)	.093±.003/-0.00 (2.36±0.08/-0.00)	5.550 (140.97)	4.550 (115.57)	.950 (24.13)	.950 (24.13)	2.150 (54.61)	4.800 (121.92)	N.A.	1.200 (30.48)	6.470 (164.34)	5.814 (147.67)	5.250 (133.35)	.155 (3.94)	.020 (0.51)	.127 (3.23)	.970 (24.64)	.113 (2.87)	.113 (2.87)	.250 (6.35)	.410 (10.41)																					
	-1002	168	5.0 VOLT NONRAM	CENTER	OFFSET LEFT	.080±.002 (2.03±0.05)	NONE	.093±.003/-0.00 (2.36±0.08/-0.00)	.093±.003/-0.00 (2.36±0.08/-0.00)	5.550 (140.97)	4.550 (115.57)	.950 (24.13)	.950 (24.13)	2.150 (54.61)	4.800 (121.92)	N.A.	1.200 (30.48)	6.470 (164.34)	5.814 (147.67)	5.250 (133.35)	.155 (3.94)	.020 (0.51)	.127 (3.23)	.970 (24.64)	.113 (2.87)	.113 (2.87)	.250 (6.35)	.410 (10.41)																					
	-1003	168	3.3 VOLT NONRAM	CENTER	CENTER	.080±.002 (2.03±0.05)	NONE	.093±.003/-0.00 (2.36±0.08/-0.00)	.093±.003/-0.00 (2.36±0.08/-0.00)	5.550 (140.97)	4.550 (115.57)	.950 (24.13)	.950 (24.13)	2.150 (54.61)	4.800 (121.92)	N.A.	1.200 (30.48)	6.470 (164.34)	5.814 (147.67)	5.250 (133.35)	.140 (3.55)	.035 (0.89)	.112 (2.84)	.985 (25.02)	.128 (3.25)	.128 (3.25)	.265 (6.73)	.425 (10.79)																					

NOTES:

1. STRAIGHTNESS OF MODULE APPLIES TO THE AREA FROM THE BOTTOM OF THE CARD UP .157/(4.00).
2. IF TIE BARS ARE ATTACHED TO PADS, THE TIE BAR SHOULD BE ON AN INTERNAL LAYER, SO THAT THE REMNANT CANNOT CAUSE DAMAGE TO THE CONTACTS.



RECOMMENDED MODULE LAYOUT  
(168 CKT 5.0V NONRAM SHOWN)

C	SEE SHEET 1
B	SEE SHEET 1
A	SEE SHEET 1
2	SEE SHEET 1
1	SEE SHEET 1

DIMENSIONS SHOWN (METRIC) INCH UNLESS OTHERWISE SPECIFIED TOLERANCES ANGULAR ± 1/2°		TITLE .050/(1.27) PITCH MULTI-KEY DIMM ASSEMBLY FOR NONRAM 17.8mm LATCH SALES DWG.	
3 PLACE ± .005	INCH	---	METRIC
2 PLACE ± .01	---	± 0.13	---
1 PLACE ---	---	± 0.25	---
DRAFT WHERE APPLICABLE MUST REMAIN WITHIN DIMENSIONS		DRAWING NO. SDA-71251-1-***	
DRW. BY: JCL	CHK'D BY: DCB	FILE NAME: S7125112	DATE: 10/18/94
APP'D BY:	SCALE: 2:1	THIS DRAWING CONTAINS INFORMATION THAT IS PROPRIETARY TO MOLEX INC. AND SHOULD NOT BE USED WITHOUT WRITTEN PERMISSION.	