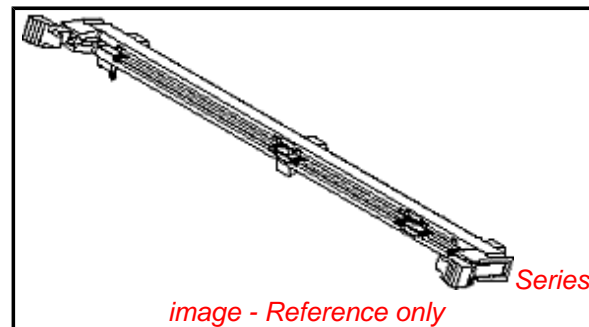


**PLEASE CHECK WWW.MOLEX.COM FOR LATEST PART INFORMATION**

**Part Number:** **0875872048**  
**Status:** **Active**  
**Description:** 1.27mm (.050") Pitch DIMM 8-Byte Socket, Low Profile (25°), Multi-Key, with Beveled Metal Pins and Plastic Peg, Left Function Key, 2.79mm (.110") Tail Length, 0.38µm (15µ") Gold (Au) Selective Plating, 168 Circuits, Leadfree

**Documents:**

[3D Model](#) [Product Specification PS-87587-007 \(PDF\)](#)  
[Drawing \(PDF\)](#) [RoHS Certificate of Compliance \(PDF\)](#)



**General**

Product Family	Memory Module Sockets
Series	<u>87587</u>
Component Type	Memory Module
JEDEC Outline	MO-161
Product Name	DIMM

**Physical**

Circuits (Loaded)	168
Color - Resin	Black, Natural
Durability (mating cycles max)	25
Entry Angle	25° Angle
Function Key	Left
Keying to Mating Part	Yes
Material - Metal	Phosphor Bronze
Material - Plating Mating	Gold
Material - Plating Termination	Tin
Material - Resin	High Temperature Thermoplastic
PC Tail Length (in)	0.110 In
PC Tail Length (mm)	2.79 mm
PCB Locator	Yes
PCB Retention	Yes
PCB Thickness Recommended (in)	0.062 In
PCB Thickness Recommended (mm)	1.60 mm
Packaging Type	Tray
Pitch - Mating Interface (in)	0.050 In
Pitch - Mating Interface (mm)	1.27 mm
Plating min: Mating (µin)	15, 15.2
Plating min: Mating (µm)	0.38
Plating min: Termination (µin)	100, 101.6
Plating min: Termination (µm)	2.54
Temperature Range - Operating	-40°C to +85°C
Termination Interface: Style	Through Hole

**Electrical**

Current - Maximum per Contact	1A
Voltage - Maximum	50V
Voltage Key	3.3V, Center

**Solder Process Data**

Lead-free Process Capability	Wave Capable (TH only)
------------------------------	------------------------

**Material Info**

**Reference - Drawing Numbers**

Product Specification	PS-87587-007
Sales Drawing	SD-87587-001

**EU RoHS**

**ELV and RoHS  
Compliant**  
**REACH SVHC  
Contains SVHC: No**  
**Halogen-Free  
Status**

**China RoHS**



**Not Halogen-Free**  
**Need more information on product  
environmental compliance?**

Email [productcompliance@molex.com](mailto:productcompliance@molex.com)  
 For a multiple part number RoHS Certificate of Compliance, [click here](#)

Please visit the [Contact Us](#) section for any non-product compliance questions.

**Search Parts in this Series**

[87587Series](#)

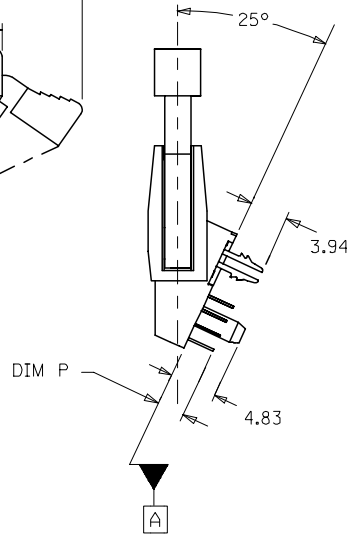
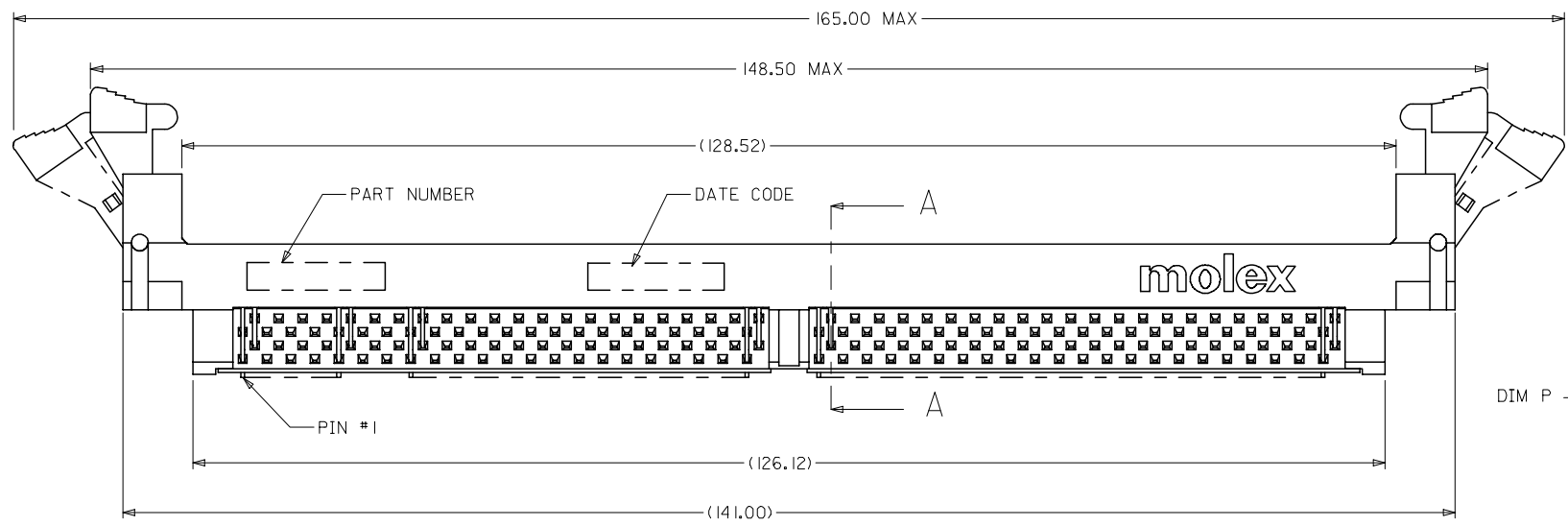
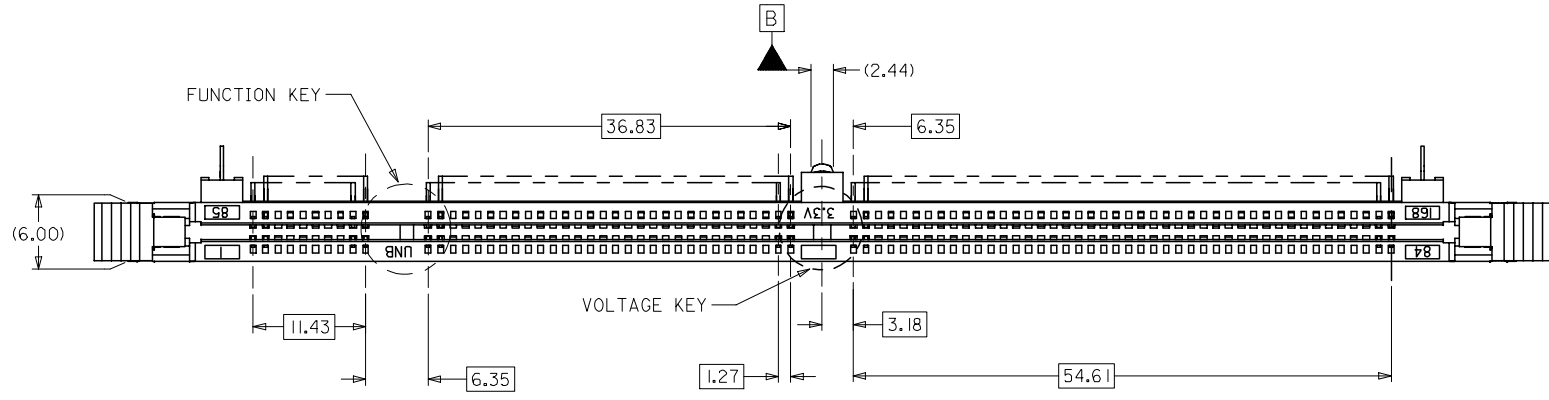
**Mates With**

JEDEC MO-161 modules

This document was generated on 04/13/2010

**PLEASE CHECK [WWW.MOLEX.COM](http://WWW.MOLEX.COM) FOR LATEST PART INFORMATION**

10 9 8 7 6 5 4 3 2 1



- NOTES:
- MATERIALS: HOUSING - LCP, GLASS FILLED, UL 94V-0  
COLOR: BLACK  
LATCH - HIGH TEMP NYLON, GLASS FILLED, UL94V-0  
COLOR: BEIGE  
TERMINAL AND FORKLOCK - COPPER ALLOY
  - FINISHES: CONTACT AREA: SEE TABLE ON SHEET 4  
SOLDER TAILS: 2.54UM/100UM MIN, TIN
  - PRODUCT SPECIFICATIONS: PS-87587-007 FOR PERFORMANCE SPECIFICATIONS.
  - DATE CODE SHALL BE MARKED LEGIBLY AS SHOWN: XX XXX  
YEAR      DAY
  - PART NUMBER SHALL BE MARKED LEGIBLY AS SHOWN: 87587-0XXX  
REFER TO THE TABLE

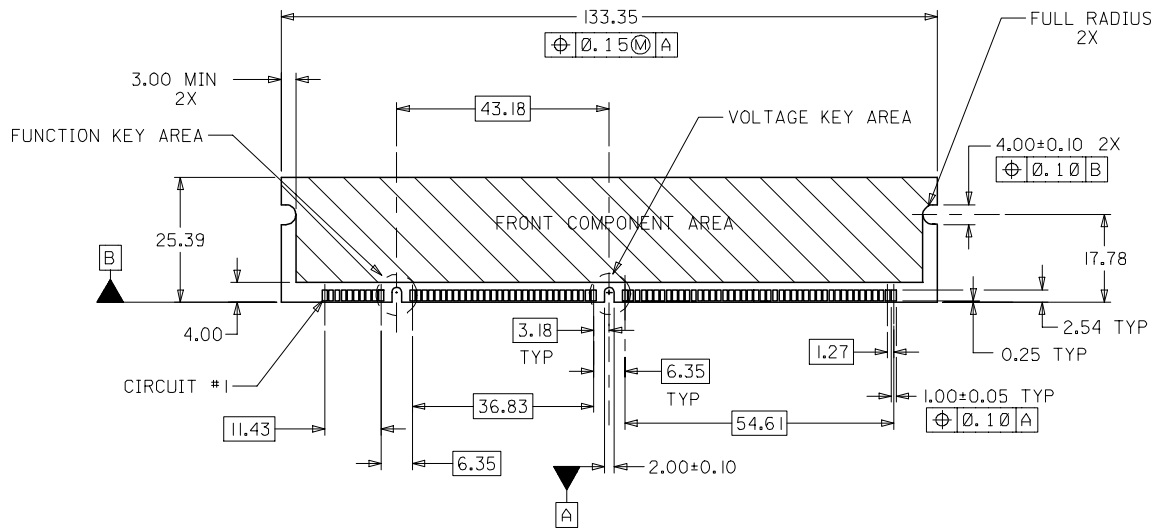
OBS TIN/LEAD P/N EC NO: S2006-0734 DRWN:MLONG CHKD:HO APPR:GGLLEE	2006/02/27	QUALITY SYMBOLS ▽=0 ◁=0	DESCRIPTION
	2006/02/28		
	2006/03/01		
	REV		

GENERAL TOLERANCES (UNLESS SPECIFIED)	
mm	INCH
4 PLACES ± ---	± ---
3 PLACES ± ---	± ---
2 PLACES ± 0.25	± ---
1 PLACE ± ---	± ---
ANGULAR ± 5 °	
DRAFT WHERE APPLICABLE MUST REMAIN WITHIN DIMENSIONS	

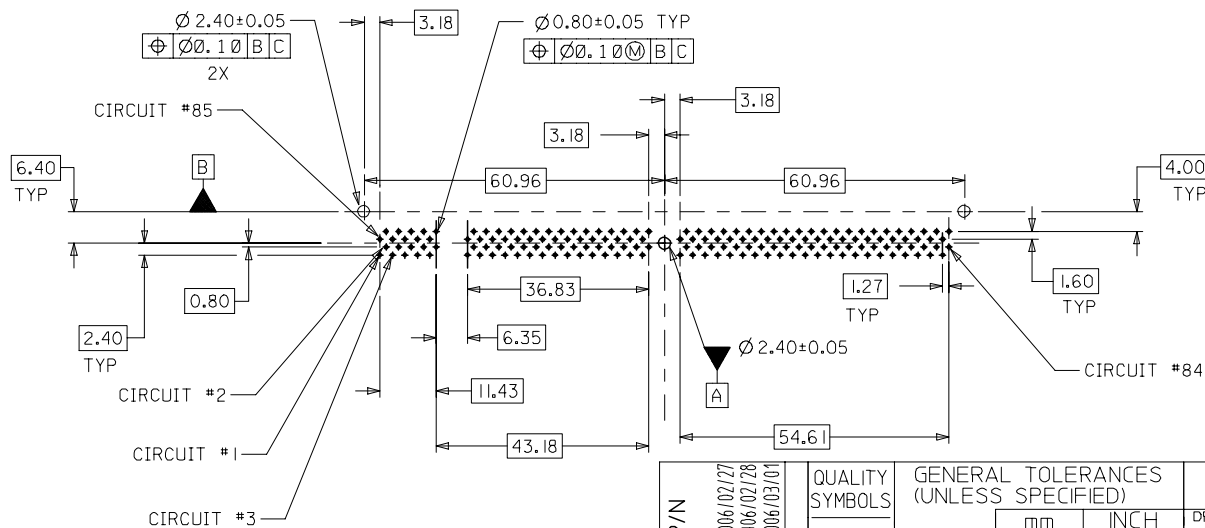
DIMENSION STYLE MM ONLY	
DRAWN BY	DATE
LPLIM	1999/03/19
CHECKED BY	DATE
KCLING	1999/06/14
APPROVED BY	DATE
SKTOH	1999/06/15
MATERIAL NO.	
SEE TABLE	

SCALE NTS	DESIGN UNITS METRIC	THIRD ANGLE PROJECTION
DIMM, 1.27MM PITCH 168 CKTS, MULTI-KEY 25 DEG		
MOLEX INCORPORATED		
DOCUMENT NO.		SHEET NO.
SD-87587-001		1 OF 4
THIS DRAWING CONTAINS INFORMATION THAT IS PROPRIETARY TO MOLEX INCORPORATED AND SHOULD NOT BE USED WITHOUT WRITTEN PERMISSION		

9 8 7 6 5 4 3 2 1

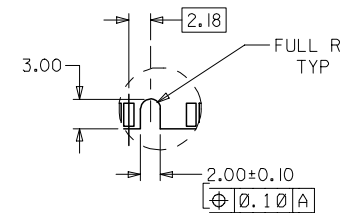


RECOMMENDED MODULE LAYOUT  
(PER JEDEC STANDARD MO-161, 168 CKT. 3.3V)

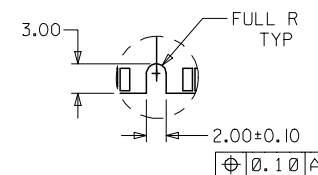


RECOMMENDED  
P.C. BOARD HOLE PATTERN  
(CONNECTOR SIDE)

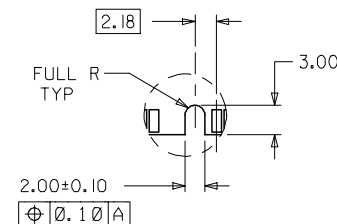
FUNCTION KEY AREA OPTIONS  
(REFER ALSO TO TABLE ON SHT. 3)



OFFSET LEFT KEY



CENTERED KEY



OFFSET RIGHT KEY

OBS	TIN/LEAD P/N	2006/02/27
EC NO:	S2006-0734	2006/02/28
DRWN:MLONG		2006/02/28
CHKD:HO		2006/03/01
APPR:GGLLEE		
REV	DESCRIPTION	
D		

QUALITY SYMBOLS	▽=0
	∇=0

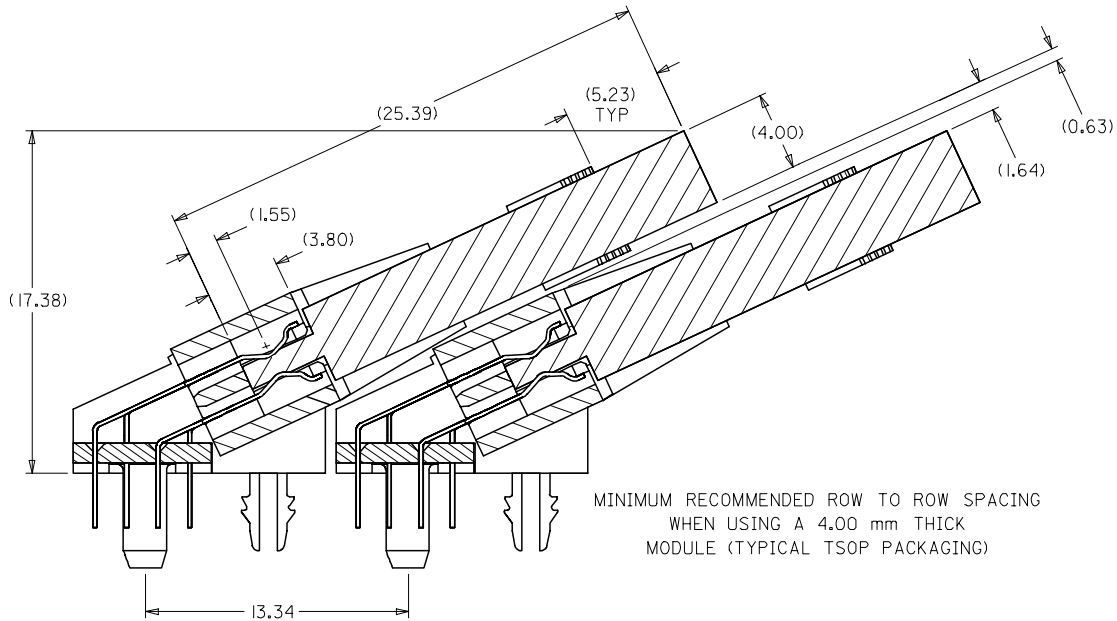
GENERAL TOLERANCES (UNLESS SPECIFIED)	
	mm INCH
4 PLACES	± --- ± ---
3 PLACES	± --- ± ---
2 PLACES	± 0.25 ± ---
1 PLACE	± --- ± ---
ANGULAR ± 5 °	
DRAFT WHERE APPLICABLE MUST REMAIN WITHIN DIMENSIONS	

DIMENSION STYLE		SCALE	DESIGN UNITS	THIRD ANGLE PROJECTION
MM ONLY		NTS	METRIC	
DRAWN BY	DATE	TITLE		
LPL IM	1999/03/19	DIMM, 1.27MM PITCH		
CHECKED BY	DATE	168 CKTS, MULTI-KEY		
KCL ING	1999/06/14	25 DEG		
APPROVED BY	DATE	MOLEX INCORPORATED		
SKTOH	1999/06/15	MOLEX INCORPORATED		
MATERIAL NO.	DOCUMENT NO.	SHEET NO.		
SEE TABLE	SD-87587-001	2 OF 4		

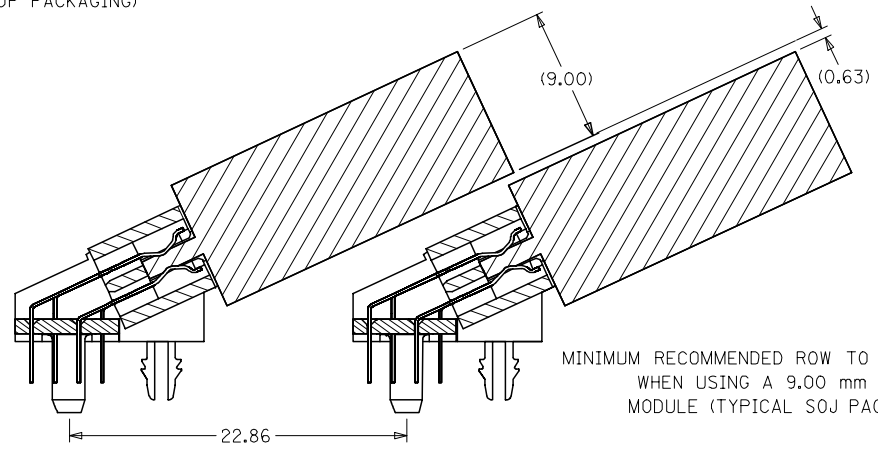
DRAWN BY		DATE	TITLE	
LPL IM		1999/03/19	DIMM, 1.27MM PITCH	
CHECKED BY		DATE	168 CKTS, MULTI-KEY	
KCL ING		1999/06/14	25 DEG	
APPROVED BY		DATE	MOLEX INCORPORATED	
SKTOH		1999/06/15	MOLEX INCORPORATED	
MATERIAL NO.	DOCUMENT NO.	SHEET NO.		
SEE TABLE	SD-87587-001	2 OF 4		

10 9 8 7 6 5 4 3 2 1

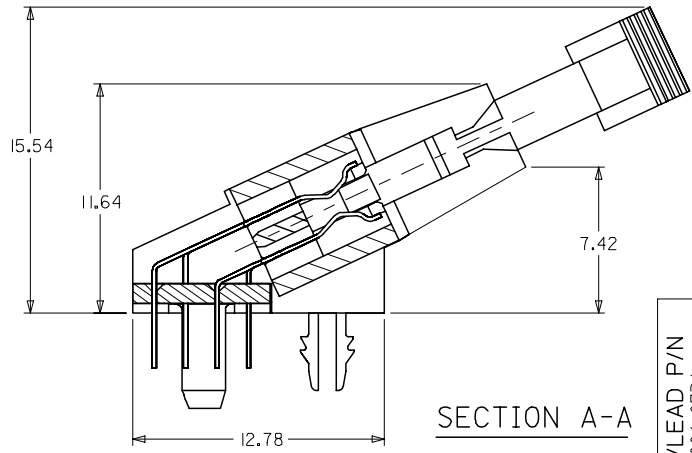
F  
E  
D  
C  
B  
A



MINIMUM RECOMMENDED ROW TO ROW SPACING  
WHEN USING A 4.00 mm THICK  
MODULE (TYPICAL TSOP PACKAGING)



MINIMUM RECOMMENDED ROW TO ROW SPACING  
WHEN USING A 9.00 mm THICK  
MODULE (TYPICAL SOJ PACKAGING)



SECTION A-A

OBS	TIN/LEAD P/N
EC NO:	S2006-0734
DRWN:	M:LONG 2006/02/27
CHKD:	I:HO 2006/02/28
APPR:	G:GLEE 2006/03/01
REV	D

QUALITY SYMBOLS	DESCRIPTION
▽=0	
▽=0	

GENERAL TOLERANCES (UNLESS SPECIFIED)	
	mm
	INCH
4 PLACES	± ---
3 PLACES	± ---
2 PLACES	± 0.25
1 PLACE	± ---
ANGULAR ± 5 °	
DRAFT WHERE APPLICABLE MUST REMAIN WITHIN DIMENSIONS	

DIMENSION STYLE	
MM ONLY	
DRAWN BY	DATE
LPL IM	1999/03/19
CHECKED BY	DATE
KCL ING	1999/06/14
APPROVED BY	DATE
SKT0H	1999/06/15
MATERIAL NO.	SEE TABLE

SCALE	DESIGN UNITS	THIRD ANGLE PROJECTION
NTS	METRIC	
TITLE		
DIMM, 1.27MM PITCH		
168 CKTS, MULTI-KEY		
25 DEG		
MOLEX INCORPORATED		
DOCUMENT NO.	SHEET NO.	
SD-87587-001	3 OF 4	
THIS DRAWING CONTAINS INFORMATION THAT IS PROPRIETARY TO MOLEX INCORPORATED AND SHOULD NOT BE USED WITHOUT WRITTEN PERMISSION		

9 8 7 6 5 4 3 2 1

10 9 8 7 6 5 4 3 2 1

PART NUMBER	FUNCTION KEY	DATUM VOLTAGE KEY	TAIL LENGTH P±0.25	FINISHES: CONTACT AREA
87587-2048	LEFT	CENTER (3.3V)	2.79	SELECTIVE GOLD 0.38µM/15µ" MIN. GOLD OVER 1.27µM/50µ" MIN. NICKEL
87587-2049	CENTER		↓	
87587-2050	RIGHT		↓	
87587-2057	LEFT		3.18	
87587-2058	CENTER		↓	
87587-2059	RIGHT		↓	SELECTIVE GOLD 0.76µM/30µ" MIN. GOLD OVER 1.27µM/50µ" MIN. NICKEL
87587-2148	LEFT		2.79	
87587-2149	CENTER		↓	
87587-2150	RIGHT		↓	
87587-2157	LEFT		3.18	
87587-2158	CENTER		↓	
87587-2159	RIGHT	↓	↓	

F

E

D

C

B

A

OBS TIN/LEAD P/N EC NO: S2006-0734 DRWN:MLONG CHKD:IHO APPR:GJLEE	2006/02/27 2006/02/28 2006/03/01	DESCRIPTION REV	QUALITY SYMBOLS ▽=0 ◻=0	GENERAL TOLERANCES (UNLESS SPECIFIED)	DIMENSION STYLE MM ONLY	SCALE NTS	DESIGN UNITS METRIC	THIRD ANGLE PROJECTION																	
				<table border="1"> <thead> <tr> <th></th> <th>mm</th> <th>INCH</th> </tr> </thead> <tbody> <tr> <td>4 PLACES</td> <td>± ---</td> <td>± ---</td> </tr> <tr> <td>3 PLACES</td> <td>± ---</td> <td>± ---</td> </tr> <tr> <td>2 PLACES</td> <td>± 0.25</td> <td>± ---</td> </tr> <tr> <td>1 PLACE</td> <td>± ---</td> <td>± ---</td> </tr> </tbody> </table>		mm	INCH	4 PLACES	± ---	± ---	3 PLACES	± ---	± ---	2 PLACES	± 0.25	± ---	1 PLACE	± ---	± ---	DRAWN BY LPL IM	DATE 1999/03/19	TITLE DIMM, 1.27MM PITCH 168 CKTS, MULTI-KEY 25 DEG			
				mm	INCH																				
			4 PLACES	± ---	± ---																				
			3 PLACES	± ---	± ---																				
2 PLACES	± 0.25	± ---																							
1 PLACE	± ---	± ---																							
		CHECKED BY KCL ING	DATE 1999/06/14																						
			ANGULAR ± 5 °	APPROVED BY SKTOH	DATE 1999/06/15	MOLEX INCORPORATED																			
			DRAFT WHERE APPLICABLE MUST REMAIN WITHIN DIMENSIONS	MATERIAL NO. SEE TABLE	DOCUMENT NO. SD-87587-001	SHEET NO. 4 OF 4																			
				SIZE A3	THIS DRAWING CONTAINS INFORMATION THAT IS PROPRIETARY TO MOLEX INCORPORATED AND SHOULD NOT BE USED WITHOUT WRITTEN PERMISSION																				

9 8 7 6 5 4 3 2 1