

PLEASE CHECK WWW.MOLEX.COM FOR LATEST PART INFORMATION

Part Number: [0945090203](#)
Status: **Active**
Description: FORK TERM FOR 0.75 TO 1.00 mm² wire, (20-22AWG), Tab Size: 0.8mm

Documents:

[Drawing \(PDF\)](#) [RoHS Certificate of Compliance \(PDF\)](#)
[Product Specification PS-94509-002 \(PDF\)](#)

General

Product Family	Crimp Terminals
Series	94509
Crimp Quality Equipment	Yes
Product Name	Fork Terminal

Physical

Durability (mating cycles max)	20
Gender	Female
Material - Metal	Phosphor Bronze
Material - Plating Mating	Tin
Material - Plating Termination	Tin
Packaging Type	Reel
Plating min: Mating (µin)	120.00
Plating min: Mating (µm)	3.000
Plating min: Termination (µin)	120.00
Plating min: Termination (µm)	3.00
Termination Interface: Style	Crimp or Compression
Wire Insulation Diameter	2.10mm (0.83")
Wire Size AWG	20, 22
Wire Size mm ²	0.75 TO 1.00

Electrical

Current - Maximum per Contact	6A
Voltage - Maximum	50V

Material Info

Reference - Drawing Numbers

Product Specification	PS-94509-002
Sales Drawing	SD-94509-007

EU RoHS

**ELV and RoHS
Compliant**
**REACH SVHC
Contains SVHC: No**
**Halogen-Free
Status**

China RoHS



Halogen-Free

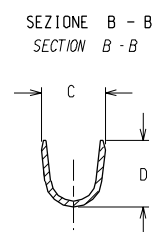
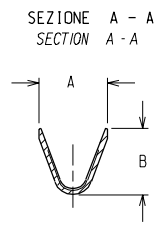
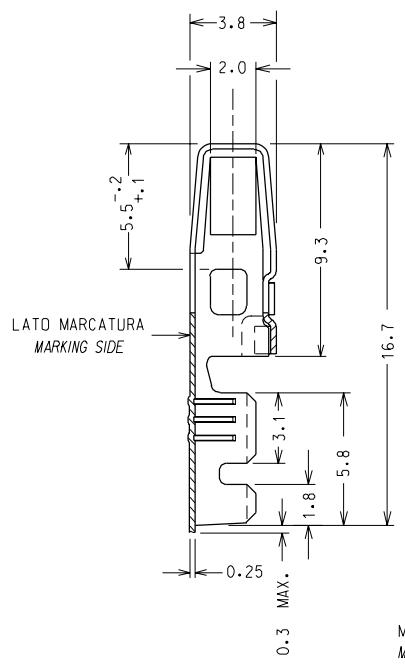
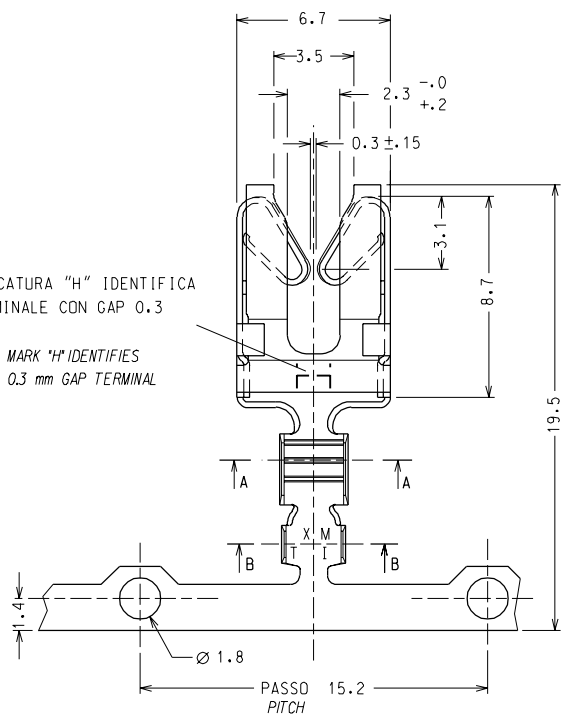
**Need more information on product
environmental compliance?**

Email productcompliance@molex.com
 For a multiple part number RoHS Certificate of
 Compliance, [click here](#)

Please visit the [Contact Us](#) section for any
 non-product compliance questions.

Search Parts in this Series

[94509Series](#)



NOTA: LA MARCATURA "H" IDENTIFICA IL TERMINALE CON GAP 0.3
 NOTE: THE MARK 'H' IDENTIFIES THE 0.3 mm GAP TERMINAL

SENDO DI SVOLGIMENTO DALLA BOBINA
 DEREELING DIRECTION
 (N.° PEZZI PER BOBINA: 4000)
 (N. OF TERMINALS FOR REEL: 4000)

MATERIALE: BRONZO FOSFOROSO
 MATERIAL: PHOSPHOR BRONZE

FINITURA: PRESTAGNATO
 PLATING: PRE-TINNED

CARATTERISTICHE DI PRODOTTO SECONDO PS 94509
 PRODUCT CHARACTERISTICS ACCORDING TO PS 94509 E

CODICE P/N	SEZIONE CAVO WIRE SIZE	Ø ISOLANTE INS. RANGE	A	B	C	D
94509-0103	0.35 - 0.50	1.70 MAX	1.9	2.2	2.7	2.7
94509-0203	0.75 - 1.00	2.10 MAX	3.0	2.9	2.8	2.9

EC NO. Z9-065 DRWNS. BARBIERI 08-10-98 CHK: S. SORATO 08-10-98 APPR: R. MARTUCCI 08-10-98	QUALITY SYMBOLS MAJOR M SIGNIF. S CRITICAL C	GENERAL TOLERANCES: (UNLESS SPECIFIED) mm INCH 4 PLACES ±0. ± 3 PLACES ±0. ± 2 PLACES ±0. ± 1 PLACE ±0.2 ± ANGULAR: ± 3°	SCALE 5:1 DESIGN UNITS <input checked="" type="checkbox"/> mm <input type="checkbox"/> INCH FIRST ANGLE PROJECTION <input checked="" type="checkbox"/> <input type="checkbox"/>	DIMENSIONS: <input type="checkbox"/> mm <input type="checkbox"/> INCH <input checked="" type="checkbox"/> mm <input type="checkbox"/> INCH <input type="checkbox"/> mm ONLY	SHT REV REVISE ON CAD ONLY
	DESCRIPTION DRAWN BY & DATE S. BARBIERI 14-02-90 CHECKED BY & DATE APPROVED BY & DATE M. PREVIATO 14-02-90 CAD FILENAME 94509007.DGN	TITLE: CONTATTO A FORCELLA DIRITTO - SPESSORE NOMIN. DEL MASCHIO: 0.8 mm - STRAIGHT FORK TERMINAL - TAB SIZE: 0.8 mm -	MOLEX INCORPORATED MATERIAL NO. SEE TABLE DRAWING NO. SD-94509-007 SHEET NO. 1/1		
DRAFT WHERE APPLICABLE MUST REMAIN WITHIN DIMENSIONS		THIS DRAWING CONTAINS INFORMATION THAT IS PROPRIETARY TO MOLEX INCORPORATED AND SHOULD NOT BE USED WITHOUT WRITTEN PERMISSION.		SIZE A3	