

Beijing Phamitech Electronic

3CX10,000A7

Power Triode

3CX10000A7 is a metal ceramic, forced air cooled power triode, intended for use in audio frequency or radio frequency equipment as zero bias class B amplifier. Rated plate dissipation: 10KW, rated grid dissipation: 500W, max frequency: 160MHZ.

General Characteristics

Filament voltage	7.5	V
Filament current	99	A
Amplification factor	200	
Interelectrode capacitance (Grounded grid)		
Input	59	pF
Output	36	pF
Transfer	0.2	pF
Operating frequency max	160	MHz
Operating position	Vertical	
Cooling	Forced air	
Max temperature at seal	250	°C
Height, max	222.25	mm
Diameter, max	179.1	mm
Weight	5.44	kg

Maximum ratings

Anode voltage	8000	Vdc
Anode current	5.0	Vdc
Anode dissipation	10	kW
Grid dissipation,	500	W

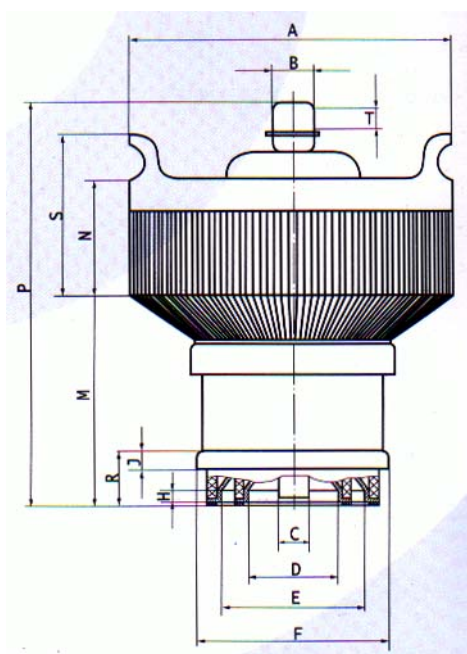
Typical operation

Class B radio frequency linear amplifier, grid driven

Anode voltage	7000	7000	Vdc
Anode current, zero signal	0.6	0.6	Adc
Anode current, full signal	3.72	5.0	Adc
Grid current, full signal	0.71	1.00	Adc
Driving resistance	35	32	Ω
Oscillator load resistance	1020	745	Ω
Driving power, full signal	885	1540	W
Anode output power	17.7	24.2	kW
Power gain	13	12	dB

Class B audio frequency amplifier or modulator

Anode voltage	7000	7000	Vdc
Grid voltage	0	0	
Anode current, zero signal	1.2	1.2	Vdc
Anode current, full signal	7.5	10.0	Vdc
Grid current, full signal	1.5	2.06	Vdc
Driving power	315	560	W
Max AF driving voltage	250	310	V
Load resistance	2000	1520	Ω
Output power	35.6	47.7	Kw



Code	Min	Max	Code	Min	Max
A	Φ175.97	Φ179.07	J	4.78	
B	Φ21.72	Φ23.73	M	100.38	109.22
C	Φ18.29	Φ19.30	N	61.28	70.82
D	Φ48.16	Φ49.17	P	209.55	222.25
E	Φ79.58	Φ80.59	R	25.04	26.67
F	Φ96.32	Φ97.33	S	86.66	96.22
H	4.78		T	9.53	