

PLEASE CHECK WWW.MOLEX.COM FOR LATEST PART INFORMATION

Part Number: [0850133093](#)
Status: **Active**
Overview: [din_41612](#)
Description: 2.54mm (.100") Pitch DIN 41612 Header, Through Hole, Vertical, Style R, 1.0µm (39µ") Selective Gold (Au), 96 Circuits

Documents:

[Drawing \(PDF\)](#) [RoHS Certificate of Compliance \(PDF\)](#)
[Product Specification PS-85013-0001 \(PDF\)](#)

Agency Certification

CSA LR19980
 UL E29179

General

Product Family Backplane Connectors
 Series [85013](#)
 Application Backplane
 Component Type PCB Header
 Overview [din_41612](#)
 Product Name IEC 603-2/DIN 41612
 Style R

Physical

Circuits (Loaded) 96
 Circuits (maximum) 96
 Circuits Detail Standard Contacts A at: a1-a32;b3-b19,b21-b30;c1-c32 . First- Mate-Last-Break at Contacts Z at b1,b2,b20,b31,b32
 Durability (mating cycles max) 500
 First Mate / Last Break Yes
 Flammability 94V-0
 Guide to Mating Part No
 Keying to Mating Part None
 Material - Plating Mating Gold
 Number of Columns 32
 Number of Pairs Open Pin Field
 Number of Rows 3
 Orientation Vertical
 PC Tail Length (in) 0.110 In
 PC Tail Length (mm) 2.90 mm
 PCB Locator No
 PCB Retention Yes
 Packaging Type Carton
 Pitch - Mating Interface (in) 0.100 In
 Pitch - Mating Interface (mm) 2.54 mm
 Pitch - Term. Interface (in) 0.100 In
 Pitch - Term. Interface (mm) 2.54 mm
 Plating min: Mating (µin) 39
 Plating min: Mating (µm) 1
 Polarized to PCB No
 Stackable No
 Temperature Range - Operating -55°C to +125°C
 Termination Interface: Style Through Hole

Electrical

EU RoHS **China RoHS**

Compliance Status

Not Reviewed

REACH SVHC

Not Reviewed

Halogen-Free

Status

Not Reviewed

Need more information on product environmental compliance?

Email productcompliance@molex.com
 For a multiple part number RoHS Certificate of Compliance, [click here](#)

Please visit the [Contact Us](#) section for any non-product compliance questions.

Search Parts in this Series

[85013Series](#)

Mates With

[85052 Receptacle](#)

Current - Maximum per Contact	1A
Data Rate	622.0 Mbps
Shielded	No
Voltage - Maximum	1000V (RMS)

Material Info

Reference - Drawing Numbers

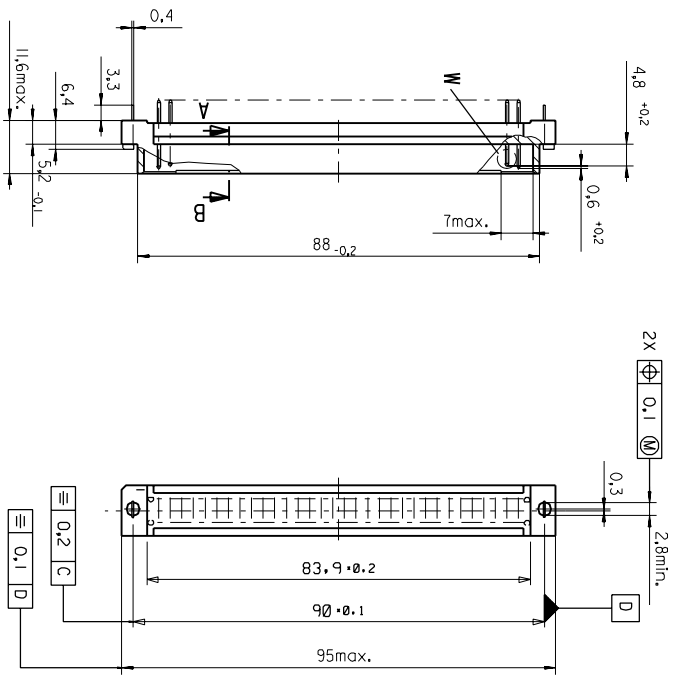
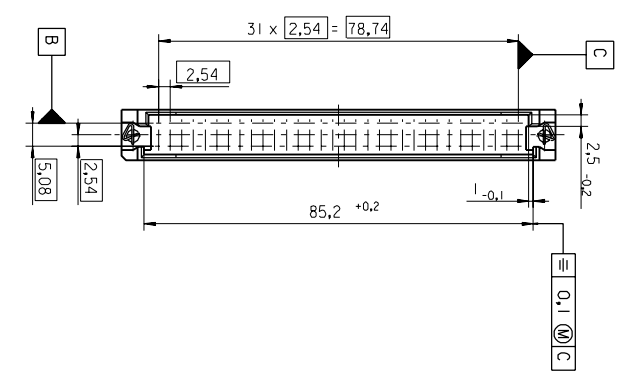
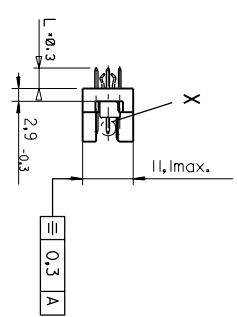
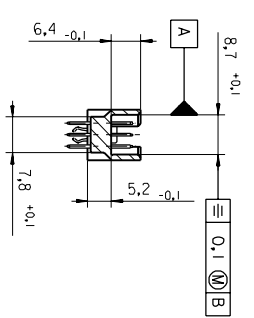
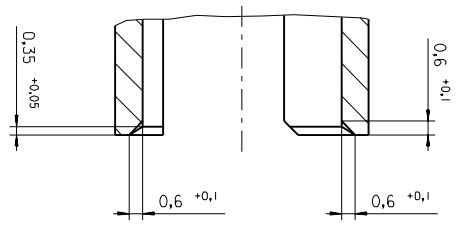
Product Specification	PS-85013-0001
Sales Drawing	SD-85013-3093, SDA-85013-0001, SDA-85013-3093

This document was generated on 05/17/2010

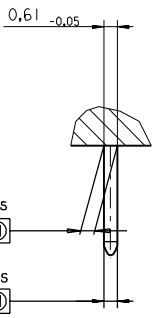
PLEASE CHECK WWW.MOLEX.COM FOR LATEST PART INFORMATION

PART NO.
DWG. NO.

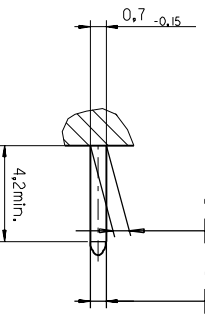
Section A - B
5:1



View X
5:1



View W
5:1



first release see ECN No. 1887
REVISIONS
FOR PREVIOUS REVISIONS SEE MRI LIST
LTR

FIRST ANGLE PROJECTION	
UNLESS OTHERWISE SPECIFIED TOLERANCES ANGULAR #2	3 PLACE ± .
INCH	± .
METRIC	± .
DRAFT WHERE APPLICABLE MUST REMAIN WITHIN DIMENSIONS	
DESIGN DIMENSION	<input checked="" type="checkbox"/> MM
EQUIVALENT DIMENSION	<input type="checkbox"/> IN.
SCALE	1:1

REVISE ONLY ON CAD SYSTEM	SH. REV.
GD&P PROJECT NAME 850100	THIS DRAWING CONTAINS INFORMATION THAT IS PROTECTED TO MOLEX INC. & SHOULD NOT BE USED WITHOUT WRITTEN PERMISSION
DATE NO. SDA-85013-0001	SHEET NO. 1 OF 1
DATE 95/06/07	DATE
SIZE B	SIZE

**96 pos. Male connector
acc. DIN 41612 Style R
Dimensions**

moLEX MOLEX EUROPE

