

PLEASE CHECK WWW.MOLEX.COM FOR LATEST PART INFORMATION

Part Number: [1201140083](#)
Status: **Active**
Overview: [microchange m12 connectors](#)
Description: Micro-Change® Molded Junction Box, Top Mount, 8 Ports, 2(IO) per port, LEDs for PNP sensors, with Integral Mini-Change® Home Run Connector

Documents:

[Drawing \(PDF\)](#) [RoHS Certificate of Compliance \(PDF\)](#)

Agency Certification

CSA LR6837
 UL E152210

General

Product Family Passive Distribution Boxes
 Series [120114](#)
 Comments PNP SENSORS
 IP Rating IP68
 NEMA Rating NEMA 6
 Overview [microchange m12 connectors](#)
 Product Name Micro-Change® (M12)

Physical

Bus I/O Micro-Change® (M12)
 Cable Connector Orientation 90° Angle
 Cable Length N/A
 Home Run Cable Length N/A
 Home Run Connector Mini-Change® - 19 pole
 Home Run Interface Integrated Connector
 Keyway Single
 LED Indicator Yes
 Material - Cable Jacket N/A
 Material - Housing PBT
 Material - Metal Copper Alloy
 Material - Plating Mating Gold over Nickel
 Orientation Top Mount
 Poles 5
 Poles (wired) 5
 Ports 8
 Temperature Range - Operating -25°C to +90°C
 Wiring Configuration Dual I/O per Port

Electrical

Current - Maximum per Contact 12A per module, 4A per port
 Functional Wiring Parallel
 Voltage - Maximum 10-30V DC

Material Info

Old Part Number BTY803P-FBB

Reference - Drawing Numbers

Sales Drawing SD-120114-075

EU RoHS

**ELV and RoHS
 Compliant
 REACH SVHC
 Not Reviewed
 Halogen-Free
 Status
 Not Reviewed**

China RoHS



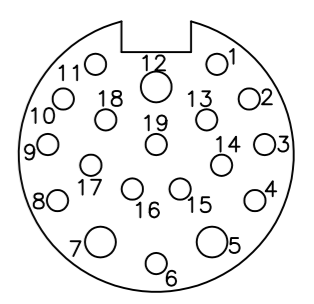
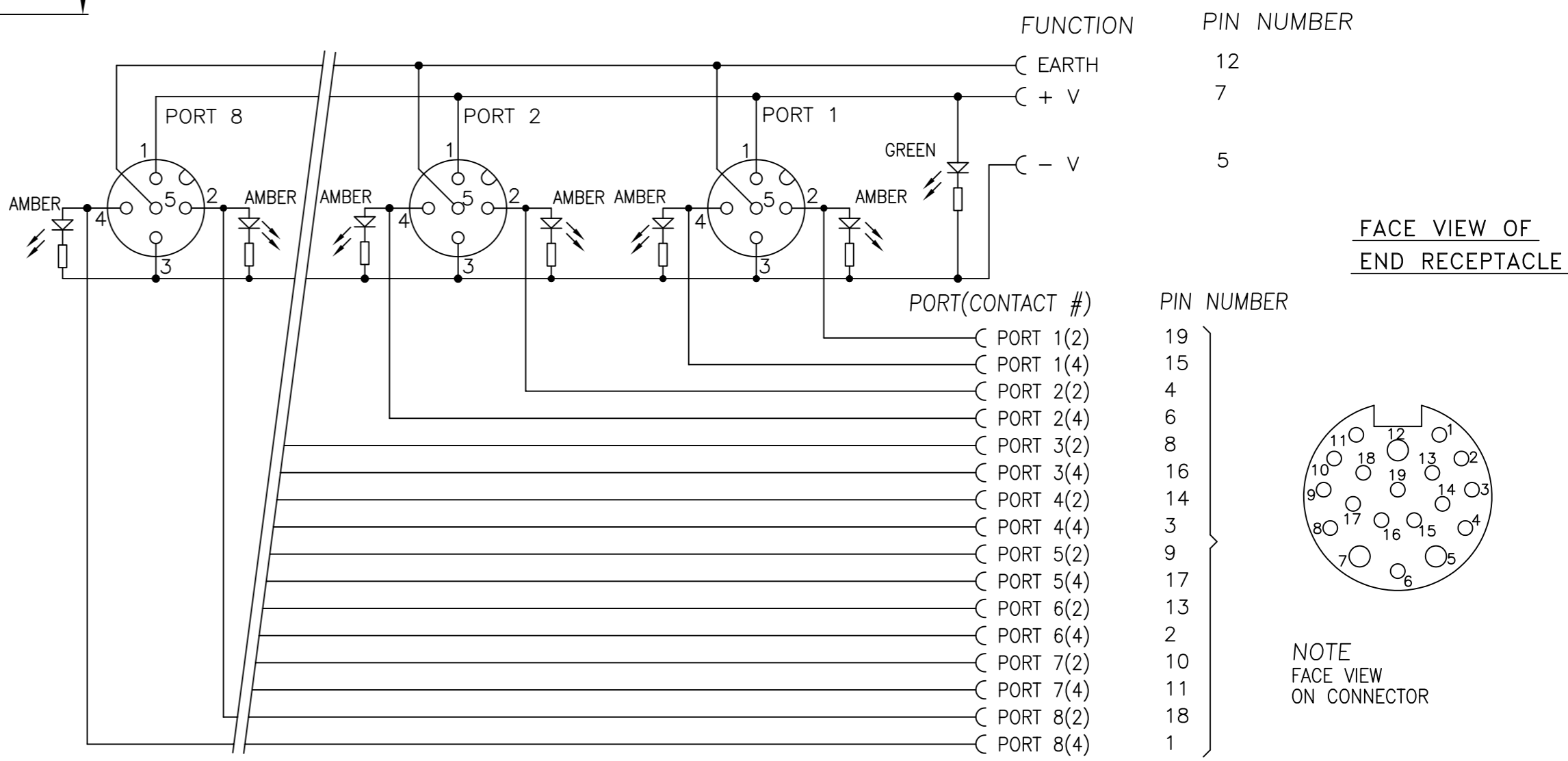
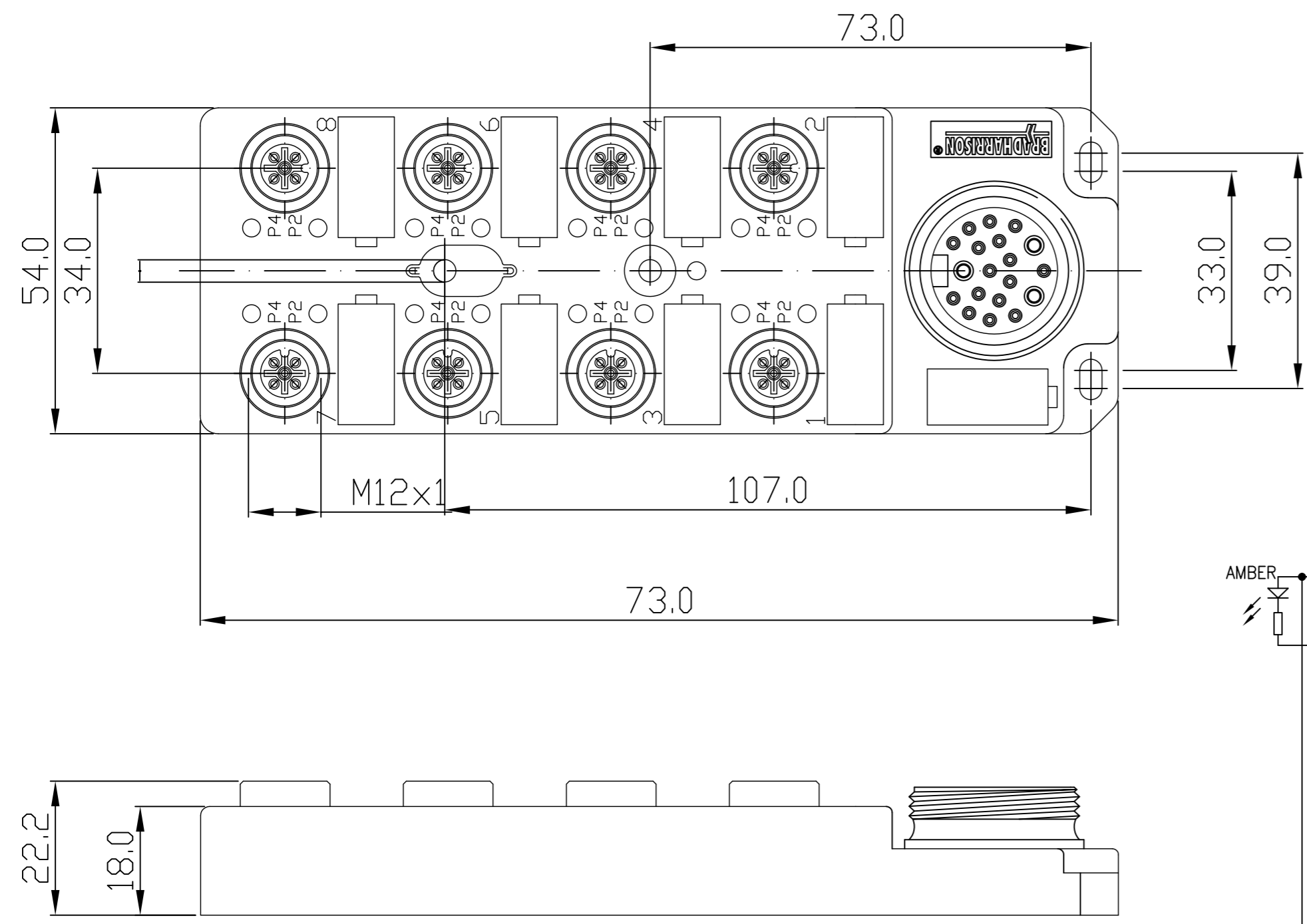
Need more information on product environmental compliance?

Email productcompliance@molex.com
 For a multiple part number RoHS Certificate of Compliance, [click here](#)

Please visit the [Contact Us](#) section for any non-product compliance questions.

Search Parts in this Series

[120114Series](#)



NOTE
FACE VIEW
ON CONNECTOR

| MATERIAL NUMBER | OLD PART NUMBER |
|-----------------|-----------------|
| 1201140083 | BTY803P-FBB |
| | |

| | |
|--------------------------|--------------------------------|
| VOLTAGE RATING | 10-30 VDC |
| AMPERAGE RATING PER PORT | 4 AMPS |
| PROTECTION | IP67 |
| OPERATING TEMPERATURE | -25°C TO +90°C |
| UL CERTIFICATIONS | UL RECOGNIZED, FILE NO. E46237 |
| CSA CERTIFICATIONS | CSA CERTIFIED, FILE NO. LR6837 |

| ITEM | COMPONENT | MATERIAL | FINISH |
|------|------------------|--------------|------------------|
| 1 | CONTACT SOCKET | COPPER ALLOY | GOLD OVER NICKEL |
| 2 | O-RING | VITON | RED |
| 3 | RECEPTACLE SHELL | BRASS | NICKEL PLATED |
| 4 | HOUSING | PBT | YELLOW |
| 5 | LABEL | ABS | WHITE |
| 6 | LENS | NYLON | CLEAR |

| | | | | | | | |
|--|-----------------------------------|--|--------------------|----------------------------|--------------------|--|---|
| DESCRIPTION EC NO: WEU2010-0452 DRWN: BBRAUCH 2010/03/19 CHKD: FP APPR: FPACHER 2010/03/24 | QUALITY SYMBOLS ▽ = 0 ∇ = 0 | GENERAL TOLERANCES (UNLESS SPECIFIED) | | DIMENSION STYLE MM ONLY | SCALE 2:1 | DESIGN UNITS METRIC | THIRD ANGLE PROJECTION |
| | | mm | INCH | DRAWN BY BBRAUCH | DATE 2010/03/19 | MICRO-CHANGE MPIS TOP MOUNT 8PORT PNP -CONNECT | |
| 4 PLACES ±--- | ±--- | CHECKED BY FP | DATE 2010/03/19 | MOLEX INCORPORATED | | | |
| 3 PLACES ±--- | ±--- | APPROVED BY FPACHER | DATE 2010/03/23 | | | | SD-120114-075 |
| 2 PLACES ±--- | ±.01 | MATERIAL NO. | DOCUMENT NO. | SHEET NO. 1 OF 1 | | | |
| 1 PLACE ±0.3 | ±--- | see table | | | | | THIS DRAWING CONTAINS INFORMATION THAT IS PROPRIETARY TO MOLEX INCORPORATED AND SHOULD NOT BE USED WITHOUT WRITTEN PERMISSION |
| ANGULAR ± --- ° | | DRAFT WHERE APPLICABLE MUST REMAIN WITHIN DIMENSIONS | | SIZE A2 | | | |