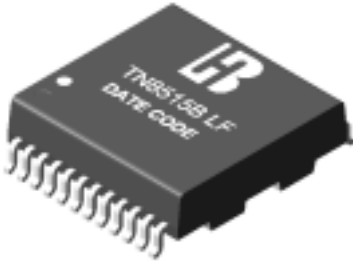




10/100 BASE-T SINGLE PORT PULSE TRANSFORMER

### P/N: TN8515B LF DATA SHEET

#### Feature



- 24 Pin SMD surface mount package.
- Designed for 10/100 MB/s transmission over UTP-5 cable.
- Lead free for external pins.
- Operation temperature range: 0°C to +70°C.
- Storage temperature range: -25 to +125 .

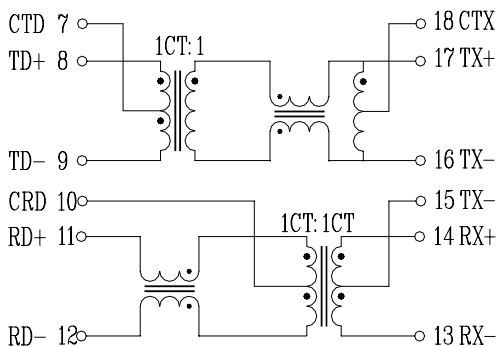
#### Electrical Specifications @ 25°C

Part Number	Turns Ratio		OCL (uH Min) @ 100KHz/0.1V with 8mA Bias	C <sub>w/w</sub> (pF Max)	L.L (uH Max)	DCR ( Max)	HI-POT (Vrms)
	TX	RX					
TN8515B LF	1CT:1	1CT:1CT	350	28	0.5	1.7	1500

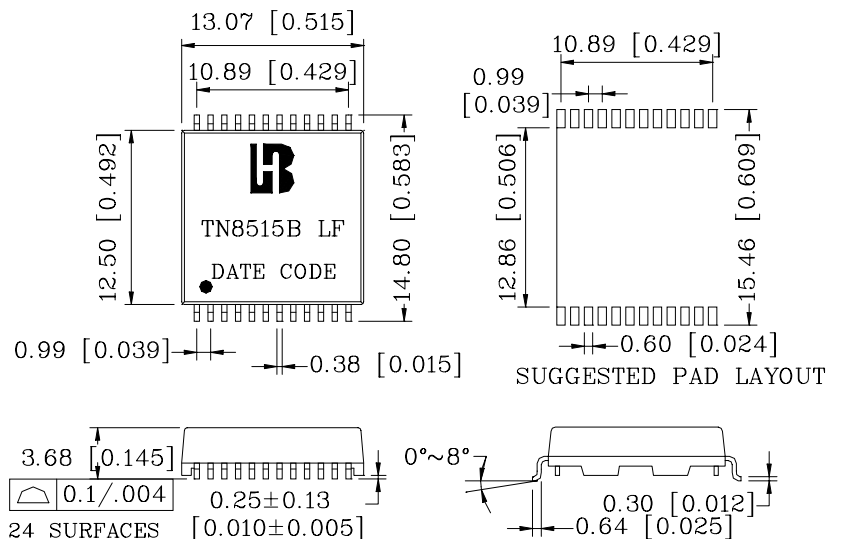
#### Continue

Part Number	Insertion Loss (dB Max)	Return Loss (dB Min)				Cross talk (dB Min)			DCMR (dB Min)	
		0.3-100 MHz	0.3-30MHz	40MHz	50MHz	60-80MHz	0.3-30MHz	60MHz	80-100MHz	0.3-60MHz
TN8515B LF	-1.15	-18	-15.5	-13.0	-12	-50	-45	-40	-45	-35

#### Schematic



#### Mechanical



Units: mm [Inches] Tolerance: xx.x0±0.25 [0.010]  
0.xx±0.05 [0.002]