

PLEASE CHECK WWW.MOLEX.COM FOR LATEST PART INFORMATION

Part Number: [0190190014](#)
Status: **Active**
Description: Avikrimp™ Quick Disconnect, Female, for 18-22 (0.80-0.35) Wire, Box, Tab 5.21mm (.205") x 0.51mm (.020")

Documents:

[Drawing \(PDF\)](#)

[RoHS Certificate of Compliance \(PDF\)](#)

General

Product Family	Quick Disconnects
Series	19019
Crimp Quality Equipment	Yes
Product Name	Avikrimp™
Type	Quick Disconnect

Physical

Barrel Type	Closed
Gender	Female
Glow-Wire Compliant	No
Insulation	Nylon (PA)
Lock to Mating Part	None
Material - Metal	Brass
Orientation	Straight
Packaging Type	Bag
Polarized to Mating Part	No
Tab Thickness	0.51mm (.020")
Tab Width	5.21mm (.205")
Temperature Range - Operating	-65°C to +105°C
Wire Insulation Diameter	2.90mm (.115") max.
Wire Size AWG	18, 20, 22
Wire Size mm²	0.35 - 0.80

Electrical

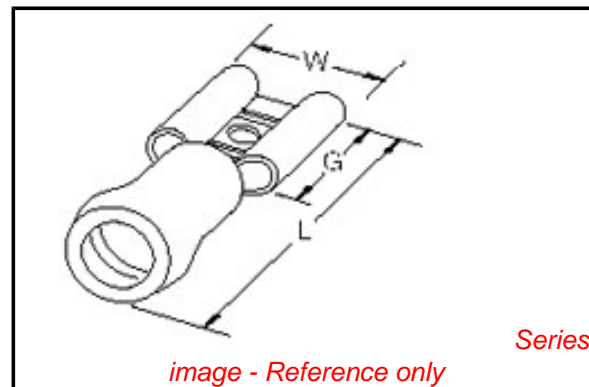
Voltage - Maximum	300V
-------------------	------

Material Info

Old Part Number	AA-8190
-----------------	---------

Reference - Drawing Numbers

Sales Drawing	AACD80501, SD-19019-001
---------------	-------------------------



EU RoHS

ELV and RoHS Compliant
REACH SVHC
 Not Reviewed
Halogen-Free Status
 Not Reviewed

China RoHS



Need more information on product environmental compliance?

Email productcompliance@molex.com
 For a multiple part number RoHS Certificate of Compliance, [click here](#)

Please visit the [Contact Us](#) section for any non-product compliance questions.

Search Parts in this Series

[19019Series](#)

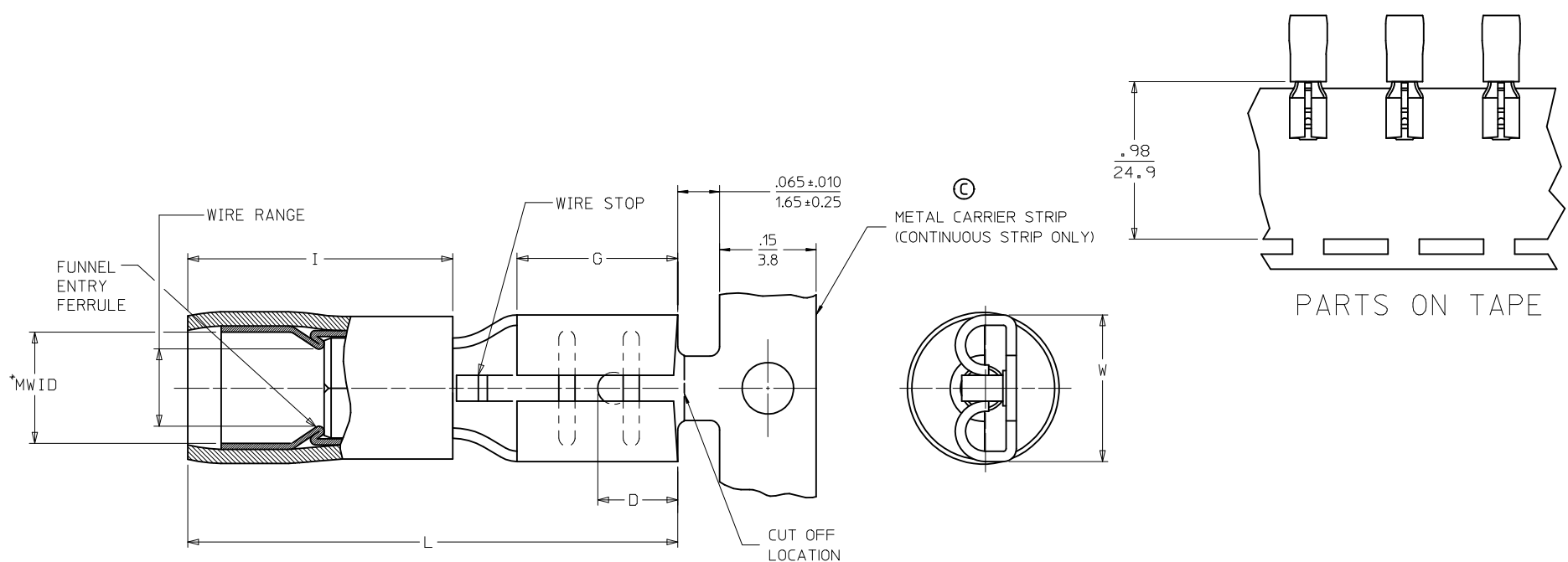
Application Tooling | [FAQ](#)

Tooling specifications and manuals are found by selecting the products below. Crimp Height Specifications are then contained in the Application Tooling Specification document.

Global

Description	Product #
Hand Crimp Tool	0640010200
Hand Crimp Tool	0640011700
Crimp Head for the AT-200™ Pneumatic Hand Tool	0640050200

LOOSE PIECE		TAPE MOUNTED		CONTINUOUS STRIP (C)		SPECIFICATIONS											
MATERIAL NUMBER	ENGINEERING NUMBER	MATERIAL NUMBER	ENGINEERING NUMBER	MATERIAL NUMBER	ENGINEERING NUMBER	INS. COLOR	WIRE AWG	RANGE	MM ²	FITS MALE TAB SIZE	STOCK THICKNESS	"L" MAX.	"I" MAX.	"W" MAX.	"D" ±.01	"G" NOM.	MWID
190190012	AA-8140	190190013	AA-8140T	190190020	AAZ-8140	RED	22-18	0.25-1.5	.250x.032 (6.35X0.81)	.016 (0.41)	.865 (21.97)	.43 (10.9)	.301 (7.65)	.156 (3.96)	.31 (7.9)	.115 (2.92)	
190190031	BB-8141	190190033	BB-8141T	190190036	BBZ-8141	BLUE	16-14	1.0-2.5	.250x.032 (6.35X0.81)	.016 (0.41)	.865 (21.97)	.43 (10.9)	.301 (7.65)	.156 (3.96)	.31 (7.9)	.138 (3.51)	
190190052	P-8142	190190054	P-8142T	190190057	PZ-8142	YELLOW	14-12	1.65-4.2	.250x.032 (6.35X0.81)	.016 (0.41)	.865 (21.97)	.43 (10.9)	.301 (7.65)	.156 (3.96)	.31 (7.9)	.170 (4.32)	
190190037	C-8143	190190038	C-8143T	-	-	YELLOW	10-12	4.0-6.0	.250x.032 (6.35X0.81)	.018 (0.46)	1.011 (25.68)	.57 (14.5)	.301 (7.65)	.156 (3.96)	.31 (7.9)	.225 (5.70)	
190190014	AA-8190	190190016	AA-8190T	190190021	AAZ-8190	RED	22-18	0.25-1.5	.205x.020 (5.21X0.51)	.016 (0.41)	.789 (20.04)	.43 (10.9)	.251 (6.38)	.125 (3.18)	.25 (6.4)	.115 (2.92)	
190190034	BB-8191	190190064	BB-8191T	-	-	BLUE	16-14	1.0-2.5	.205x.020 (5.21X0.51)	.016 (0.41)	.789 (20.04)	.43 (10.9)	.251 (6.38)	.125 (3.18)	.25 (6.4)	.138 (3.51)	
190190015	AA-8190-032	190190058	AA-8190-032T	-	-	RED	22-18	0.25-1.5	.205x.032 (5.21X0.81)	.016 (0.41)	.789 (20.04)	.43 (10.9)	.251 (6.38)	.125 (3.18)	.25 (6.4)	.115 (2.92)	
190190035	BB-8191-032	190190063	BB-8191-032T	-	-	BLUE	16-14	1.0-2.5	.205x.032 (5.21X0.81)	.016 (0.41)	.789 (20.04)	.43 (10.9)	.251 (6.38)	.125 (3.18)	.25 (6.4)	.138 (3.51)	
190190008	AA-8137-032	190190009	AA-8137-032T	190190019	AAZ-8137-032	RED	22-18	0.25-1.5	.187x.032 (4.75X0.81)	.016 (0.41)	.789 (20.04)	.43 (10.9)	.238 (6.05)	.125 (3.18)	.25 (6.4)	.115 (2.92)	
190190028	BB-8138-032	190190029	BB-8138-032T	190190080	BBZ-8138-032	BLUE	16-14	1.0-2.5	.187x.032 (4.75X0.81)	.016 (0.41)	.789 (20.04)	.43 (10.9)	.238 (6.05)	.125 (3.18)	.25 (6.4)	.138 (3.51)	
190190049	P-8139-032	190190050	P-8139-032T	190190056	PZ-8139-032	YELLOW	14-12	1.65-4.2	.187x.032 (4.75X0.81)	.016 (0.41)	.789 (20.04)	.43 (10.9)	.238 (6.05)	.125 (3.18)	.25 (6.4)	.170 (4.32)	
190190006	AA-8137	190190011	AA-8137T	190190018	AAZ-8137	RED	22-18	0.25-1.5	.187x.020 (4.75X0.51)	.016 (0.41)	.789 (20.04)	.43 (10.9)	.238 (6.05)	.125 (3.18)	.25 (6.4)	.115 (2.92)	
190190027	BB-8138	190190030	BB-8138T	190190079	BBZ-8138	BLUE	16-14	1.0-2.5	.187x.020 (4.75X0.51)	.016 (0.41)	.789 (20.04)	.43 (10.9)	.238 (6.05)	.125 (3.18)	.25 (6.4)	.138 (3.51)	
190190048	P-8139	190190051	P-8139T	190190055	PZ-8139	YELLOW	14-12	1.65-4.2	.187x.020 (4.75X0.51)	.016 (0.41)	.789 (20.04)	.43 (10.9)	.238 (6.05)	.125 (3.18)	.25 (6.4)	.170 (4.32)	
190190004	AA-8134	190190005	AA-8134T	190190075	AAZ-8134	RED	22-18	0.25-1.5	.110x.032 (2.80X0.81)	.012 (0.30)	.789 (20.04)	.43 (10.9)	.163 (4.14)	.210 (5.33)	.25 (6.4)	.115 (2.92)	
190190025	BB-8135	190190026	BB-8135T	190190078	BBZ-8135	BLUE	16-14	1.0-2.5	.110x.032 (2.80X0.81)	.012 (0.30)	.789 (20.04)	.43 (10.9)	.163 (4.14)	.210 (5.33)	.25 (6.4)	.138 (3.51)	
190190001	AA-8131	190190003	AA-8131T	190190017	AAZ-8131	RED	22-18	0.25-1.5	.110x.020 (2.80X0.81)	.012 (0.30)	.789 (20.04)	.43 (10.9)	.163 (4.14)	.210 (5.33)	.25 (6.4)	.115 (2.92)	
190190022	BB-8132	190190024	BB-8132T	190190076	BBZ-8132	BLUE	16-14	1.0-2.5	.110x.020 (2.80X0.81)	.012 (0.30)	.789 (20.04)	.43 (10.9)	.163 (4.14)	.210 (5.33)	.25 (6.4)	.138 (3.51)	



- NOTES:
1. MATERIAL: BRASS TERMINAL, COPPER ALLOY FERRULE
 2. FINISH: ELECTRO-TIN PLATING
 3. INSULATION: EXTRUDED NYLON
 - 4.*MWID=MAXIMUM WIRE INSULATION DIAMETER
 5. PARTS ARE ROHS COMPLIANT.

FERRULE DESCR. CONT P/N EC NO: MNA2009-0510 DRW: NETHRODAHL 2010/01/04 CHKD: JMACNEIL 2010/01/05 APPR: JMACNEIL 2010/01/05	QUALITY SYMBOLS ▽=0 ▽=0	GENERAL TOLERANCES (UNLESS SPECIFIED)		DIMENSION STYLE IN/MM	SCALE ---	DESIGN UNITS INCH	THIRD ANGLE PROJECTION
		4 PLACES ± --- ± --- 3 PLACES ± --- ± .005 2 PLACES ± 0.13 ± .01 1 PLACE ± 0.25 ± ---	mm INCH ± --- ± --- ± .005 ± .01 ± 0.13 ± .01 ± 0.25 ± ---	DRAWN BY: BRE DATE: 2001/07/25 CHECKED BY: HEB DATE: 2001/07/25 APPROVED BY: RWD DATE: 2001/07/25	TITLE: QUICK DISCONNECT PARTIALLY INSULATED AVIKRIMP	MOLEX MOLEX INCORPORATED	MATERIAL NO. SD-19019-001
DRAFT WHERE APPLICABLE MUST REMAIN WITHIN DIMENSIONS		SEE CHART		THIS DRAWING CONTAINS INFORMATION THAT IS PROPRIETARY TO MOLEX INCORPORATED AND SHOULD NOT BE USED WITHOUT WRITTEN PERMISSION			