

PLEASE CHECK WWW.MOLEX.COM FOR LATEST PART INFORMATION

Part Number: [0355330216](#)
Status: **Active**
Description: PT Bulb Socket Single Housing Assembly, Type B, Unsealed, White

Documents:

[3D Model](#) [Product Specification PS-35532-001 \(PDF\)](#)
[Drawing \(PDF\)](#) [RoHS Certificate of Compliance \(PDF\)](#)

General

Product Family	Other Sockets
Series	35533
Comments	B-Type
Component Type	Socket
Product Name	Bulb Socket

Physical

Circuits (Loaded)	0
Circuits (maximum)	2
Color - Resin	White
Durability (mating cycles max)	50
Entry Angle	Vertical
Keying to Mating Part	None
Material - Resin	Nylon
PCB Locator	No
PCB Retention	N/A
Packaging Type	Bag
Pitch - Mating Interface (in)	0.000 In
Pitch - Mating Interface (mm)	0.00 mm
Temperature Range - Operating	-40°C to +105°C

Electrical

Current - Maximum per Contact	7A
Voltage - Maximum	300V AC (RMS)/DC

Material Info

Reference - Drawing Numbers

Product Specification	PS-35532-001
Sales Drawing	SD-35533-002



image - Reference only

EU RoHS

**ELV and RoHS
Compliant**
REACH SVHC
 Not Reviewed
**Halogen-Free
Status**

China RoHS



**Need more information on product
environmental compliance?**

Email productcompliance@molex.com
 For a multiple part number RoHS Certificate of
 Compliance, [click here](#)

Please visit the [Contact Us](#) section for any
 non-product compliance questions.

Search Parts in this Series

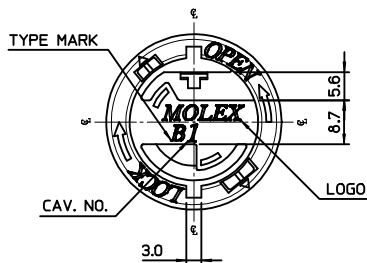
[35533Series](#)

Mates With

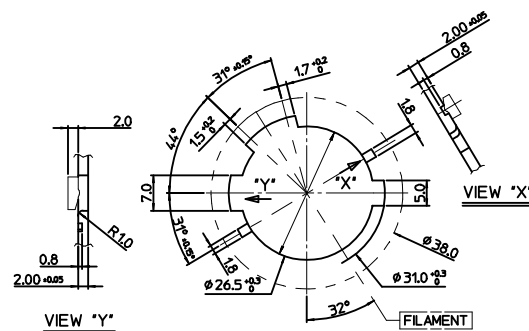
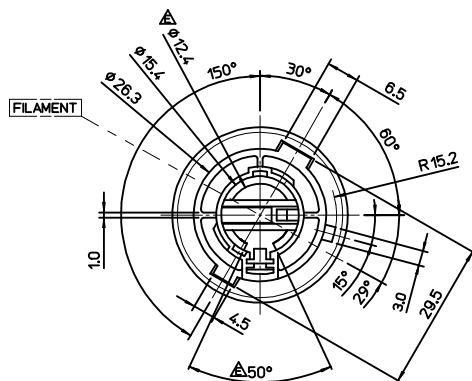
[Lamp](#)

Use With

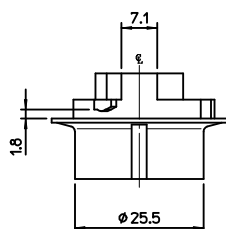
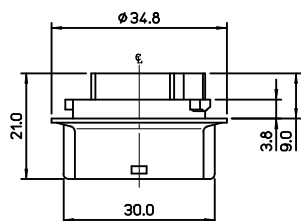
[35438 Positive Termina...](#)



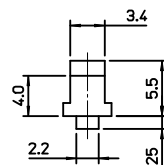
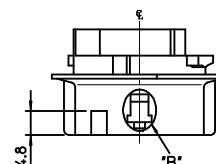
VIEW "A"



MOUNTING INTERFACE (MI-11)



↑
"A"



DETAIL "B"
SCALE 2:1

NOTES

1. FOCAL LENGTH = 31.8mm
2. APPLICABLE BULB CAP: PY21W(BAU15s)
3. MATES WITH

NO.	DESCRIPTION	MATERIAL	ORDER NO.	REMARK
②	POSITIVE TERMINAL	PHOSPHOR BRONZE	35438-8000	UNPLATED
③	EARTH TERMINAL	PHOSPHOR BRONZE	35439-8000	UNPLATED

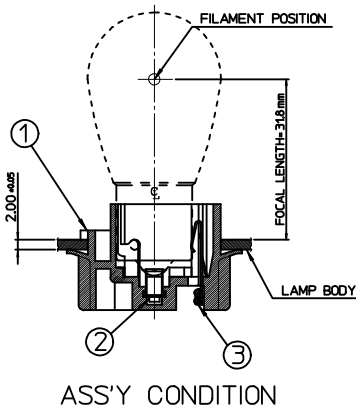
<PART LIST>

NO.	DESCRIPTION	MATERIAL	USAGE	REMARK
①	SINGLE SOCKET	PA66 M/F	1	B TYPE

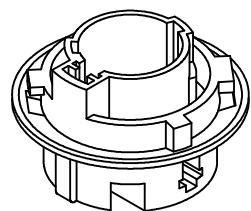
<TABLE 1>

MATERIAL NO.	ORDER NO.	COLOR
355330215	35533-0215	GRAY
355330216	35533-0216	WHITE

DESIGN UNITS: METRIC
THIRD ANGLE PROJECTION



ASS'Y CONDITION



ISOVIEW

CHANGED OF NOTES
EC NO: KOR2010-0023
DR: WNEOKIM 2009/08/18
CHKD: BGYOON 2009/08/19
APPR: YUNSIKKIM 2009/08/20

QUALITY SYMBOLS
▽=0
∇=0

GENERAL TOLERANCES (UNLESS SPECIFIED)

	mm	INCH
4 PLACES	± ---	± ---
3 PLACES	± ---	± ---
2 PLACES	± 0.2	± ---
1 PLACE	± 0.3	± ---

ANGULAR ± 3 °

DRAFT WHERE APPLICABLE MUST REMAIN WITHIN DIMENSIONS

DIMENSION STYLE: MM ONLY
DRAWN BY: JSKANG
DATE: 1998/01/31
CHECKED BY: BKCHOI
DATE: 1998/01/31
APPROVED BY: CWLEE
DATE: 1998/01/31

SCALE: 1:1
TITLE: NON-SEALED BULB SOCKET SINGLE HOUSING ASS'Y (B-TYPE)

MOLEX INCORPORATED
MATERIAL NO. SD-35533-002
DOCUMENT NO. SHEET NO. 1 OF 1