

TITLE  
INDUCTOR, 150  $\mu$ H,  
2 ADC, BUCK

**SCHOTT** CORPORATION  
1000 PARKERS LAKE ROAD  
WAYZATA, MN 55391

AGENCY APPROVAL:  
N/A

PART NUMBER  
**34040**

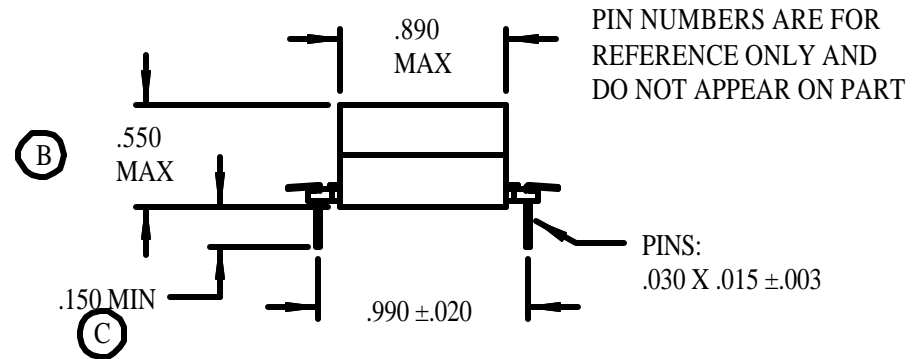
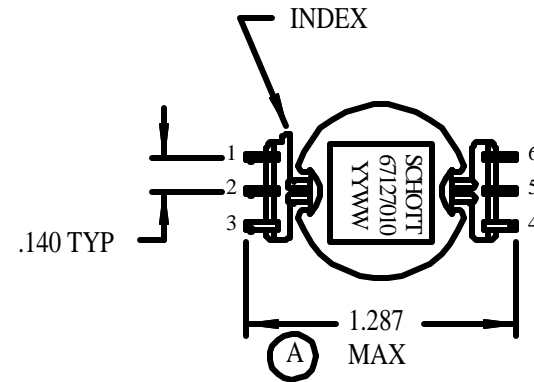
REV A PAGE 1 END

CATALOG NUMBER:  
67127010

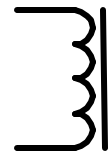
### SPECIFICATIONS

1. TEMP CLASS 130°C.
2. INDUCTANCE (1,2,3-4,5,6): 135 - 160  $\mu$ H  
@ 0.1 Vrms, 10 KHz.
3. DC RESISTANCE (1,2,3-4,5,6): 0.045 OHM MAX.
4. HIPOT: 250 VDC.  
(2 SECONDS, 5 mA MAX)

THIS INDUCTOR IS FOR USE WITH  
NATIONAL SEMICONDUCTOR REGULATORS  
LM1575-XX/LM2575-XX  
LK1577-XX/LM2577-XX



JUMPER ON PC BOARD 1,2,3



JUMPER ON PC BOARD 4,5,6

TOLERANCES UNLESS OTHERWISE NOTED	2 PLACE	3 PLACE	ANGLE
	+ -	+ -	+ °